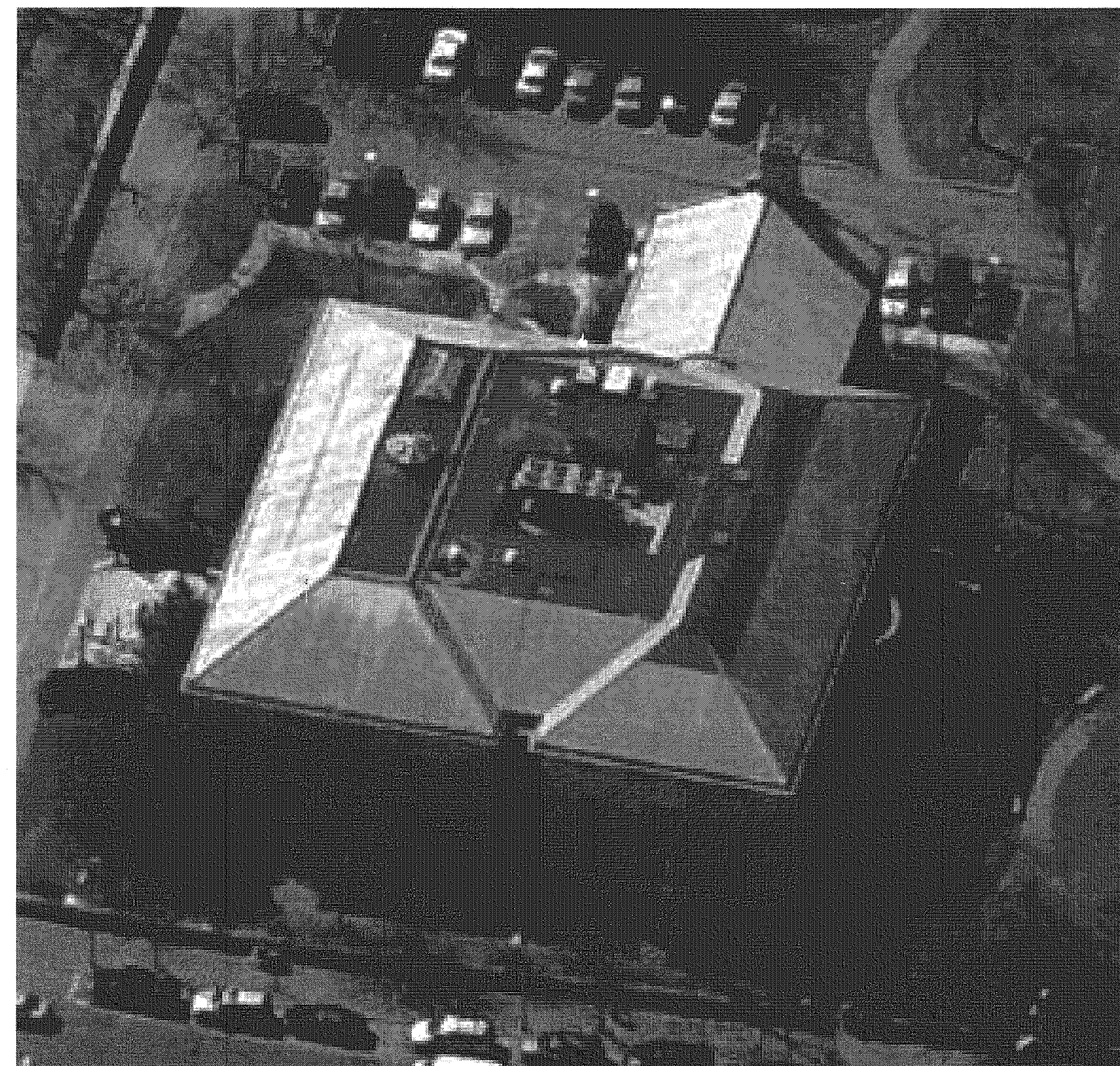


# ROOF REPLACEMENT PROJECT

## ROBBINS LIBRARY

700 MASSACHUSETTS AVENUE  
ARLINGTON, MASSACHUSETTS

BID NUMBER: 13-06



APRIL 4, 2013

### RUSSO BARR ASSOCIATES, INC.

33 CENTER STREET, 2ND FLOOR  
BURLINGTON, MASSACHUSETTS 01803  
TEL: 781.273.1537  
FAX: 781.273.1695  
EMAIL: INFO@RUSSOBARR.COM

#### LIST OF DRAWINGS

T-1	TITLE SHEET
S-1	SITE PLAN
R-1	ROOF AREA PLAN
R-2	SLATE ROOFING DETAILS
R-3	SLATE ROOFING DETAILS

DATE  
04.04.13

SCALE  
AS NOTED

DRAWN BY / CHECKED BY  
jrw/MJF

PROJECT NO  
2013004.00

DRAWING NO  
T-1

ROBBINS LIBRARY - BID NO. 13-06  
700 MASSACHUSETTS AVENUE  
ARLINGTON, MASSACHUSETTS  
ROOF REPLACEMENT PROJECT  
TITLE SHEET

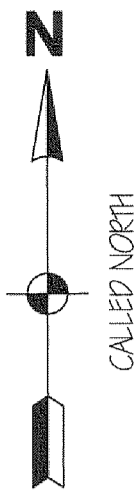
**RUSSO BARR**  
ASSOCIATES  
33 Center Street, 2nd Floor, Burlington, MA 01803

DESCRIPTION

BY

DATE

NO

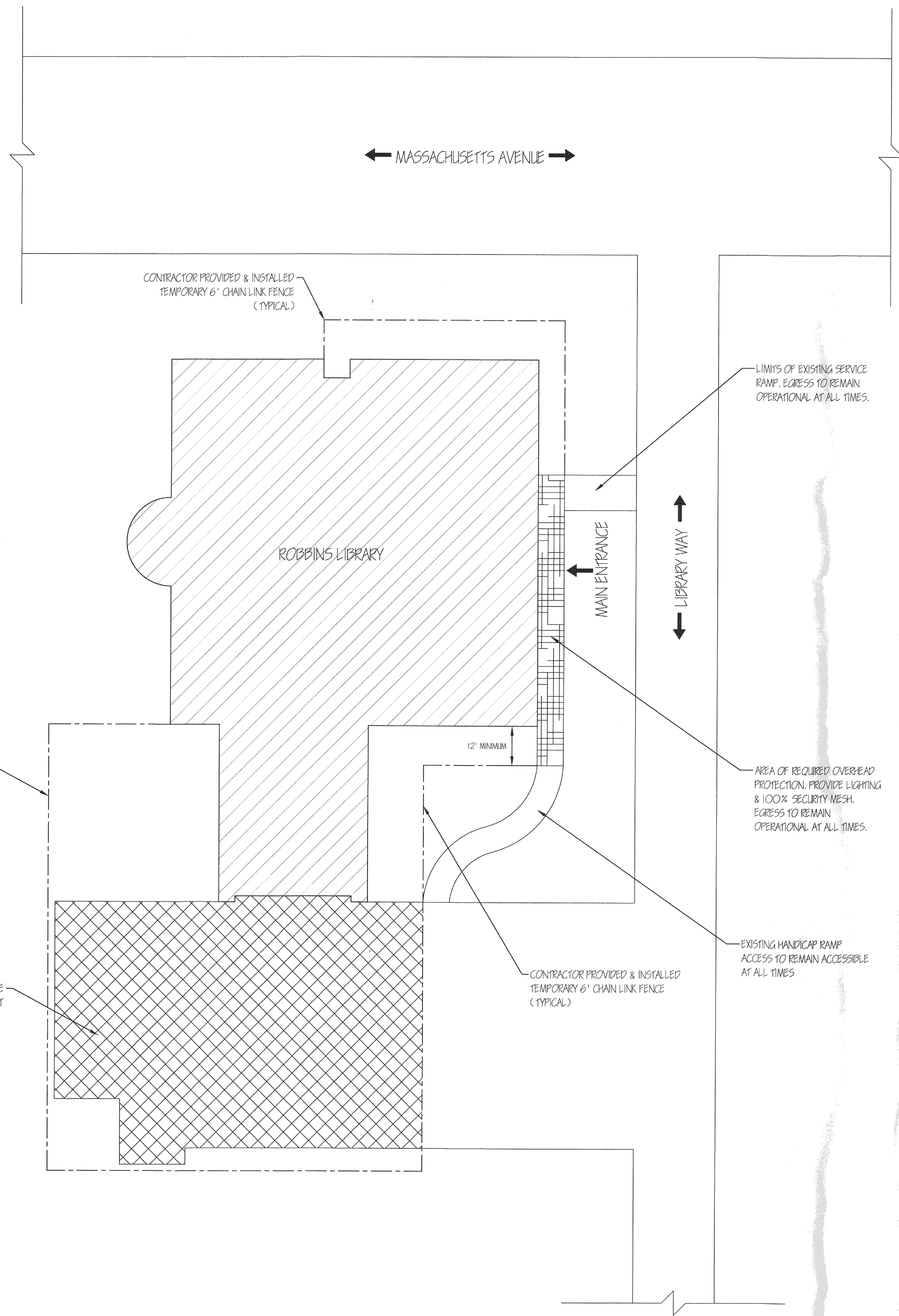


D

C

B

A



SCHMATIC SITE PLAN

SCALE: 1" = 20'-0"

NO	DATE	BY	DESCRIPTION

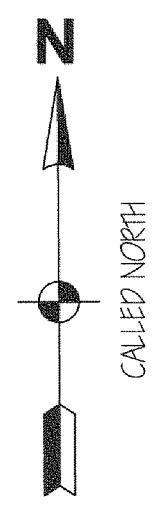
**RUSSO-BARR**  
ASSOCIATES  
33 Center Street, 2nd Floor, Burlington, MA 01803

**ROBBINS LIBRARY - BID NO. 13-06**  
700 MASSACHUSETTS AVENUE  
ARLINGTON, MASSACHUSETTS  
ROOF REPLACEMENT PROJECT  
SCHEMATIC SITE PLAN

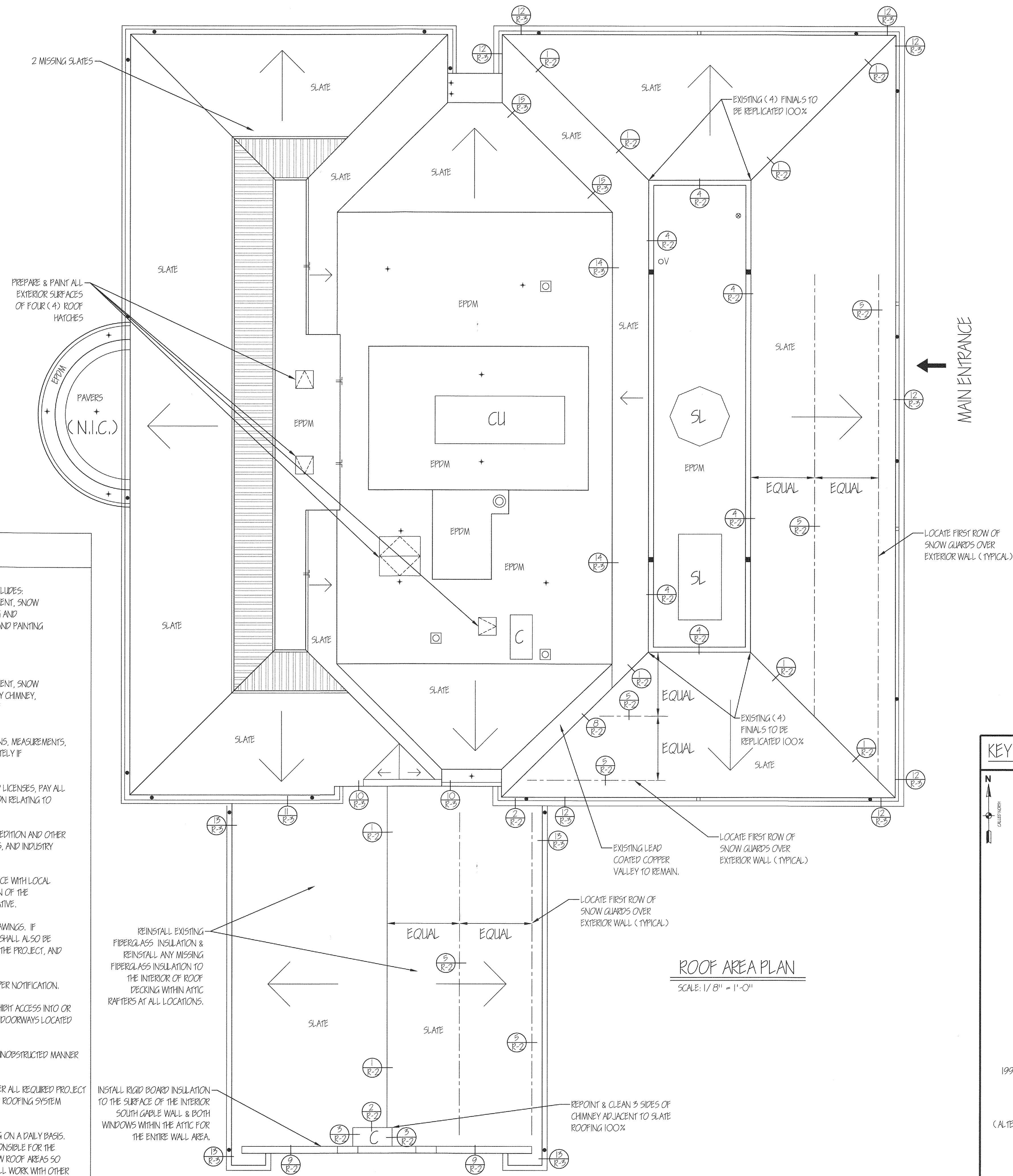
DATE	04.04.13
SCALE	AS NOTED
DRAWN BY / CHECKED BY	jrwm/MJF
PROJECT NO	2013004.00
DRAWING NO	

S-1

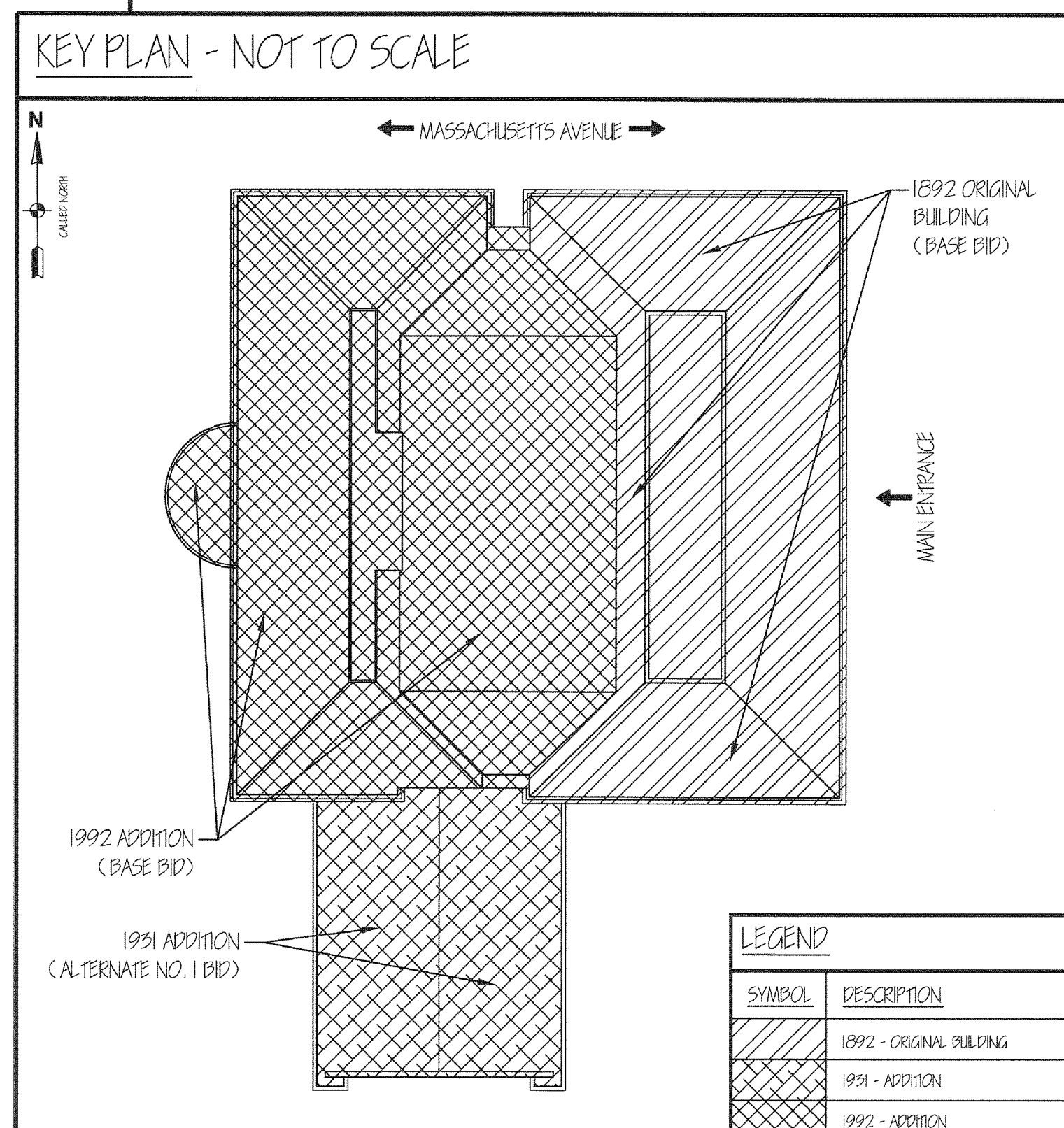
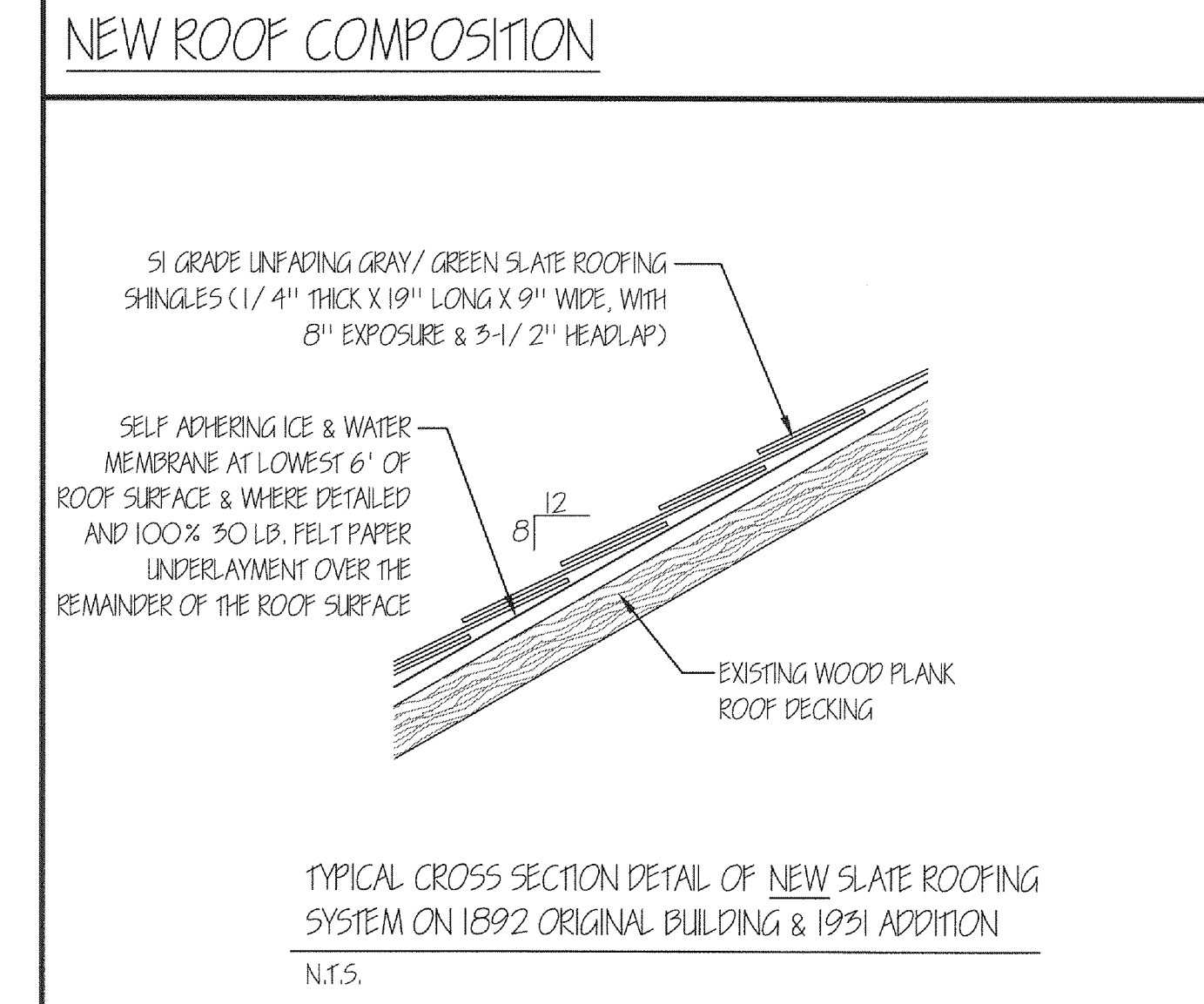
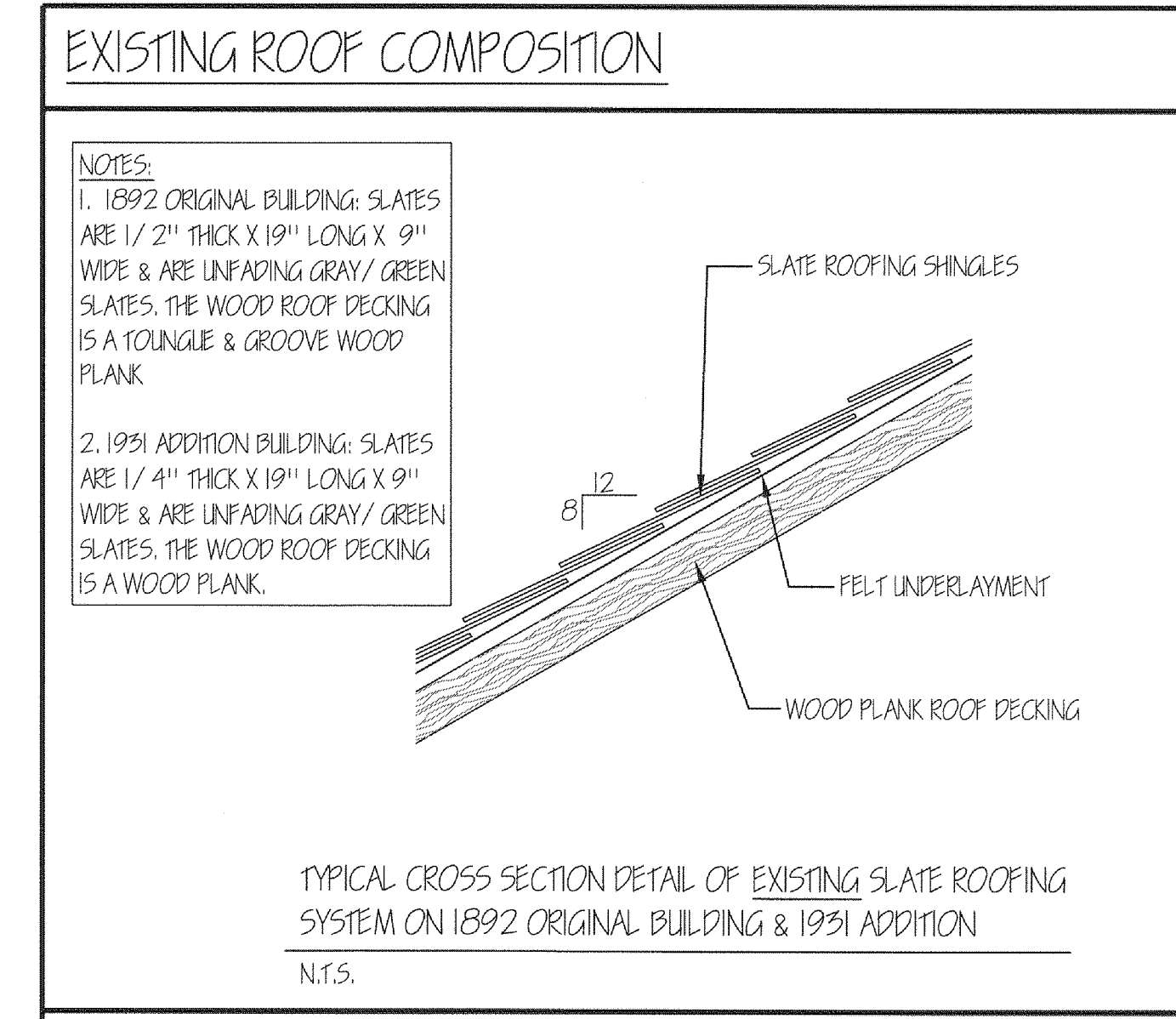
SYMBOL	DESCRIPTION
	ROOF DRAIN
	VENT PIPE
	HOT PIPE
	CAPPED OFF PIPE
	EXHAUST FAN
	ROOF HATCH
	CHILLER UNIT
	SKYLIGHT
	SPILL OUT SCUPPER
	THRU-WALL SCUPPER
	CHIMNEY
	SLOPE DIRECTION DOWN
	GUTTER & DOWNSPOUT
	GUTTER EXPANSION JOINT
	NEW SNOW PIPE RAIL SYSTEM
	LOUVER VENT



← MASSACHUSETTS AVENUE →



**ROOF AREA PLAN**  
SCALE: 1/8" = 1'-0"



SYMBOL	DESCRIPTION
	1892 - ORIGINAL BUILDING
	1931 - ADDITION
	1992 - ADDITION

### GENERAL NOTES

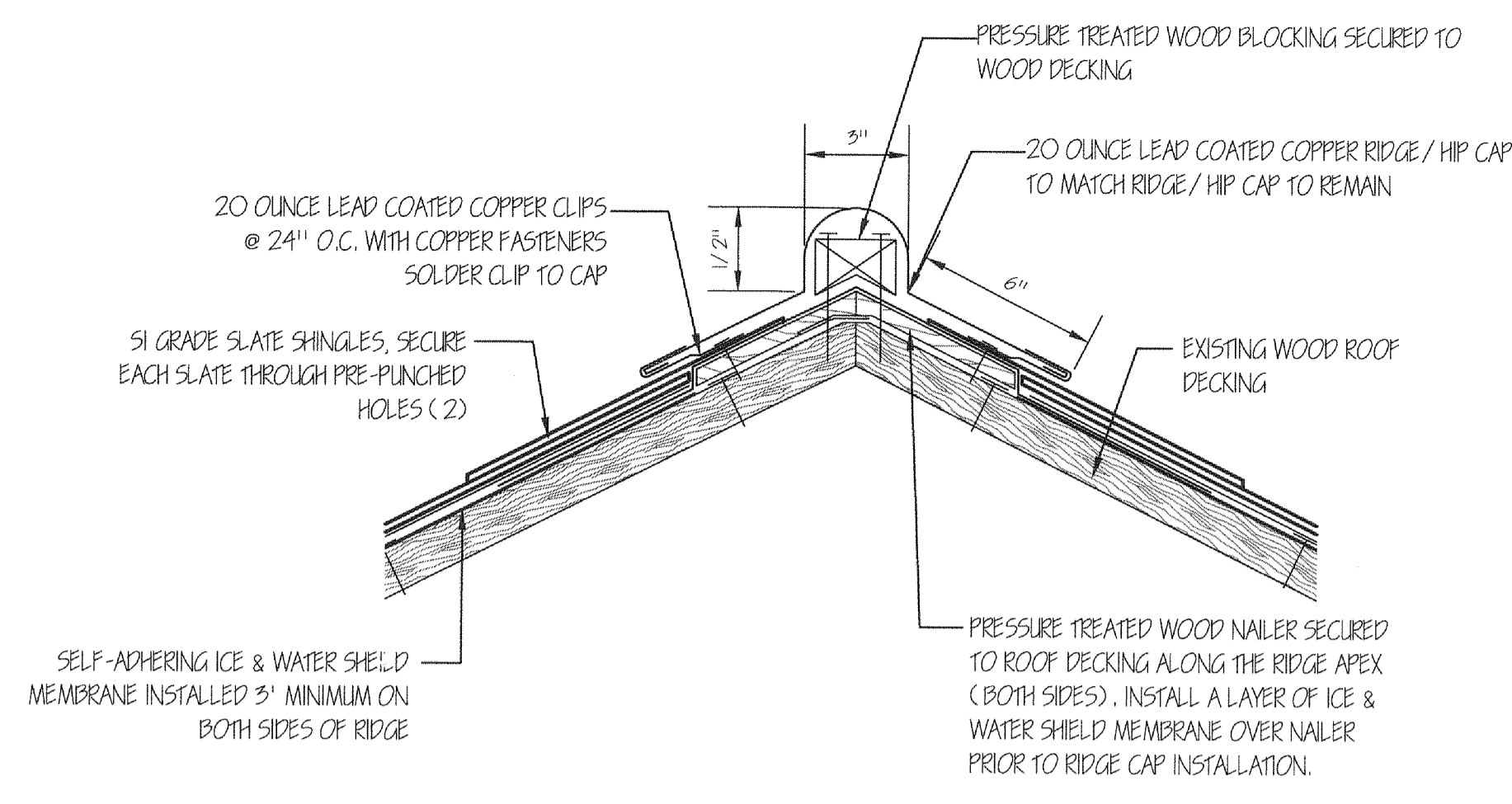
- BASE BID**  
WORK SHALL OCCUR AT THE 1892 ORIGINAL BUILDING & THE 1992 ADDITION AND INCLUDES: REMOVAL AND REPLACEMENT OF SLATE SHINGLE ROOFING, FLASHINGS, UNDERLAYMENT, SNOW RETENTION SYSTEMS, REPAIRS TO EXISTING GUTTERS AT THE 1892 ORIGINAL BUILDING AND REPLACEMENT OF MISSING OR DEFECTIVE SLATES AT THE 1992 ADDITION BUILDING AND PAINTING OF THE ROOF HATCHES.
- ALTERNATE NO. 1 BID**  
WORK SHALL OCCUR AT THE 1931 ADDITION AND INCLUDES: REMOVAL AND REPLACEMENT OF SLATE SHINGLE ROOFING, FLASHINGS, UNDERLAYMENT, SNOW RETENTION SYSTEMS, REPAIRS TO EXISTING GUTTERS, REPAIRS TO THE BRICK MASONRY CHIMNEY, INSTALLATION OF RIGID INSULATION TO THE INTERIOR OF THE SOUTH GABLE WALL OF THE 1931 ADDITION AND REPAIRS TO EXISTING FIBERGLASS INSULATION.
- CONTRACTOR SHALL BE RESPONSIBLE FOR FIELD VERIFYING ALL EXISTING CONDITIONS, MEASUREMENTS, DIMENSIONS, PENETRATIONS AND RELATED WORK ITEMS. NOTIFY ENGINEER IMMEDIATELY IF DISCREPANCIES IN DOCUMENTS ARE FOUND.
- CONTRACTOR SHALL BE RESPONSIBLE FOR OBTAINING ALL NECESSARY PERMITS AND LICENSES, PAY ALL FEES, AND COMPLY WITH ALL REGULATIONS OF ALL AUTHORITIES HAVING JURISDICTION RELATING TO THE BUILDING OR PRESERVATION OF PUBLIC HEALTH AND SAFETY.
- ALL WORK TO COMPLY WITH THE MASSACHUSETTS STATE BUILDING CODES, CURRENT EDITION AND OTHER PERTINENT LOCAL BUILDING REGULATIONS, CODES, MANUFACTURER'S REQUIREMENTS, AND INDUSTRY STANDARDS.
- CONTRACTOR TO LEGALLY DISPOSE OF ALL MATERIALS OFF-SITE AND IN ACCORDANCE WITH LOCAL REGULATIONS. USE OF ON-SITE OWNER DUMPSTERS SHALL BE PROHIBITED. LOCATION OF THE CONTRACTOR'S DUMPSTER SHALL BE COORDINATED WITH THE OWNER'S REPRESENTATIVE.
- ALL ROOFING WORK SHALL BE IN ACCORDANCE WITH THE PROJECT MANUAL AND DRAWINGS. IF APPLICABLE, THE WRITTEN REQUIREMENTS OF THE ROOFING SYSTEM MANUFACTURER SHALL ALSO BE ADHERED TO. CONTRACTOR IS RESPONSIBLE FOR NOTIFYING THE MANUFACTURER OF THE PROJECT, AND PERFORMING THE WORK ACCORDING TO THE REQUIREMENTS AS STIPULATED.
- ACCESS TO THE INTERIOR OF THE BUILDINGS SHALL NOT BE ALLOWED WITHOUT PROPER NOTIFICATION.
- CONTRACTORS SET-UP AND DISPOSAL AREAS SHALL NOT BLOCK FIRE LANES NOR INHIBIT ACCESS INTO OR OUT OF THE BUILDINGS. OVERHEAD PROTECTION SHALL BE PROVIDED AT ALL ACTIVE DOORWAYS LOCATED BELOW ACTIVE WORK AREAS.
- THE CONTRACTOR SHALL BE RESPONSIBLE FOR LEAVING THE SITE IN A CLEAN AND UNOBSTRUCTED MANNER AT THE END OF EACH DAY'S WORK.
- AT THE COMPLETION OF THE WORK, THE CONTRACTOR SHALL PROVIDE TO THE OWNER ALL REQUIRED PROJECT CLOSE-OUT PAPERWORK INCLUDING THE SPECIFIED CONTRACTOR'S GUARANTEE AND ROOFING SYSTEM MANUFACTURER'S FULL SYSTEM WARRANTY.
- CONTRACTOR SHALL REPLACE ALL REMOVED EXISTING ROOFING WITH NEW ROOFING ON A DAILY BASIS. TEMPORARY OR PHASED ROOFING IS NOT ALLOWED. CONTRACTOR SHALL BE RESPONSIBLE FOR THE INSTALLATION AND MAINTENANCE OF A DAILY "TIE-IN" BETWEEN EXISTING AND NEW ROOF AREAS SO AS TO MAINTAIN COMPLETE WATER-TIGHTNESS. CONTRACTOR SHALL COORDINATE ALL WORK WITH OTHER TRADES TO PREVENT EXPOSURE OF THE BUILDING TO INCLEMENT WEATHER AND LEAKS AT ALL TIMES.

DESCRIPTION	
BY	
DATE	
NO.	

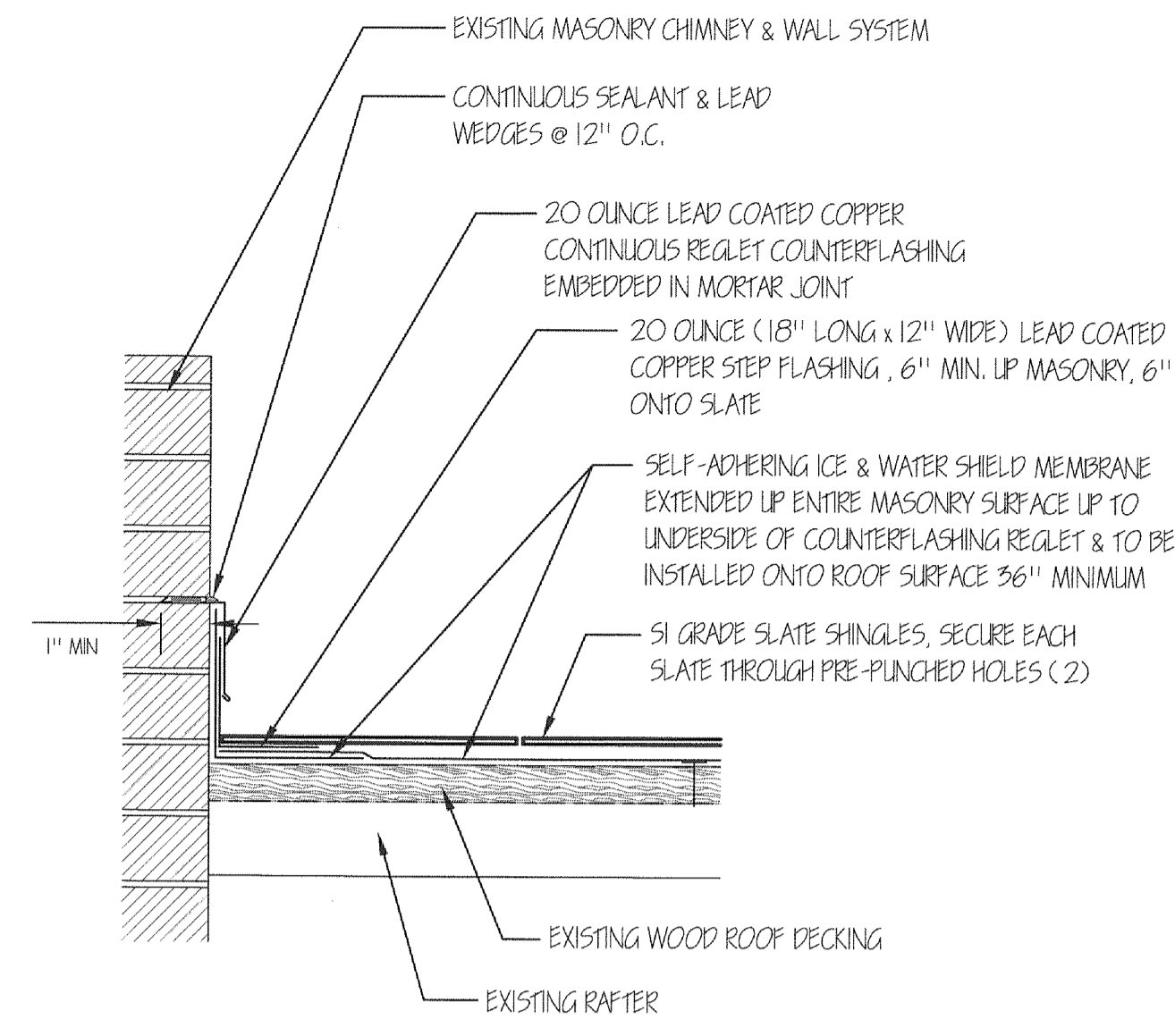
**RUSSO BARR**  
ARCHITECTS  
33 Center Street, 2nd Floor, Burlington, MA 01803

**ROBBINS LIBRARY - BID NO. 13-06**  
700 MASSACHUSETTS AVENUE  
ARLINGTON, MASSACHUSETTS  
ROOF REPLACEMENT PROJECT  
ROOF AREA PLAN

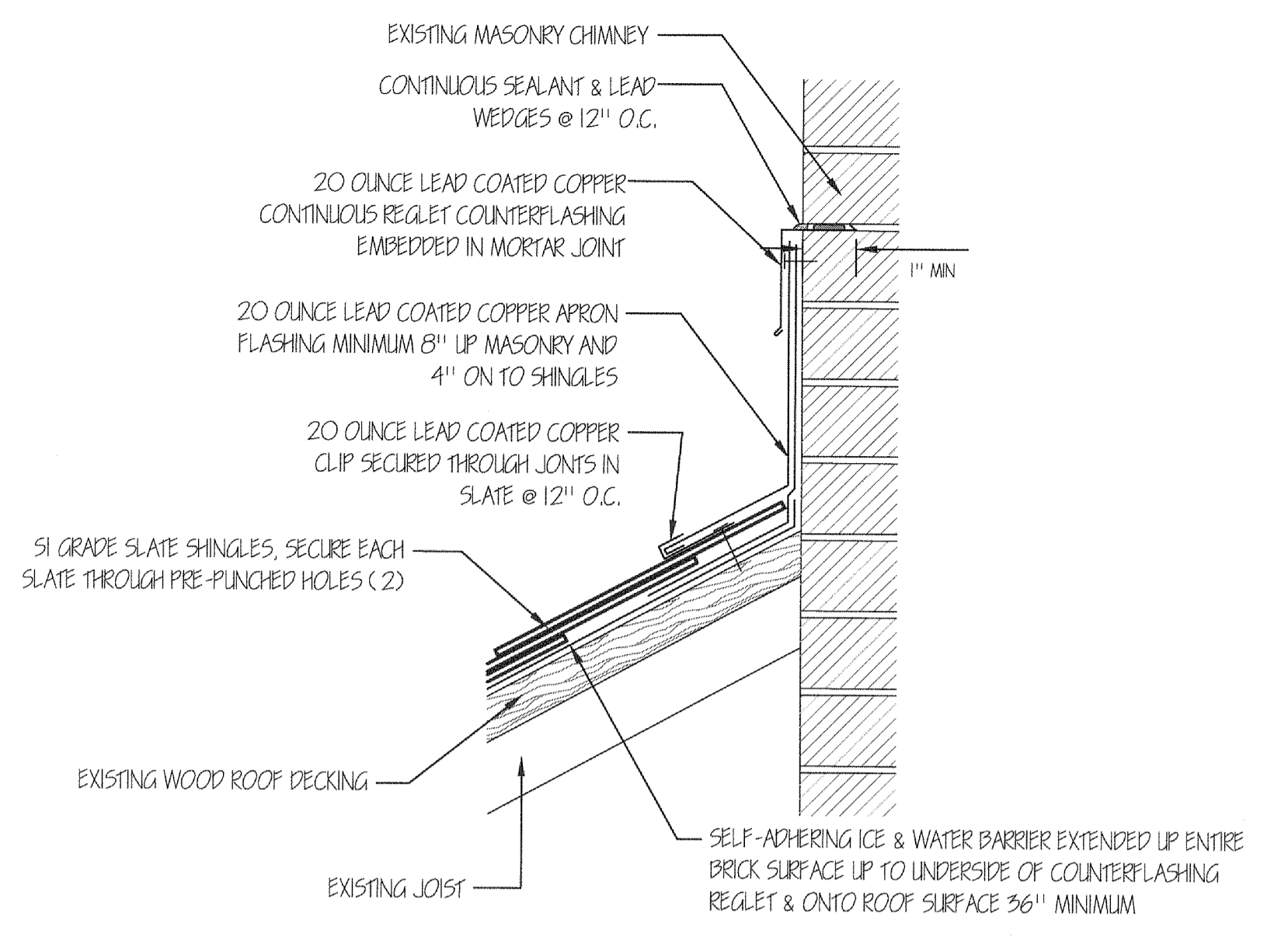
DATE: 04.04.13  
SCALE: AS NOTED  
DRAWN BY / CHECKED BY: jrjw/MJF  
PROJECT NO: 2013004.00  
DRAWING NO: R-1



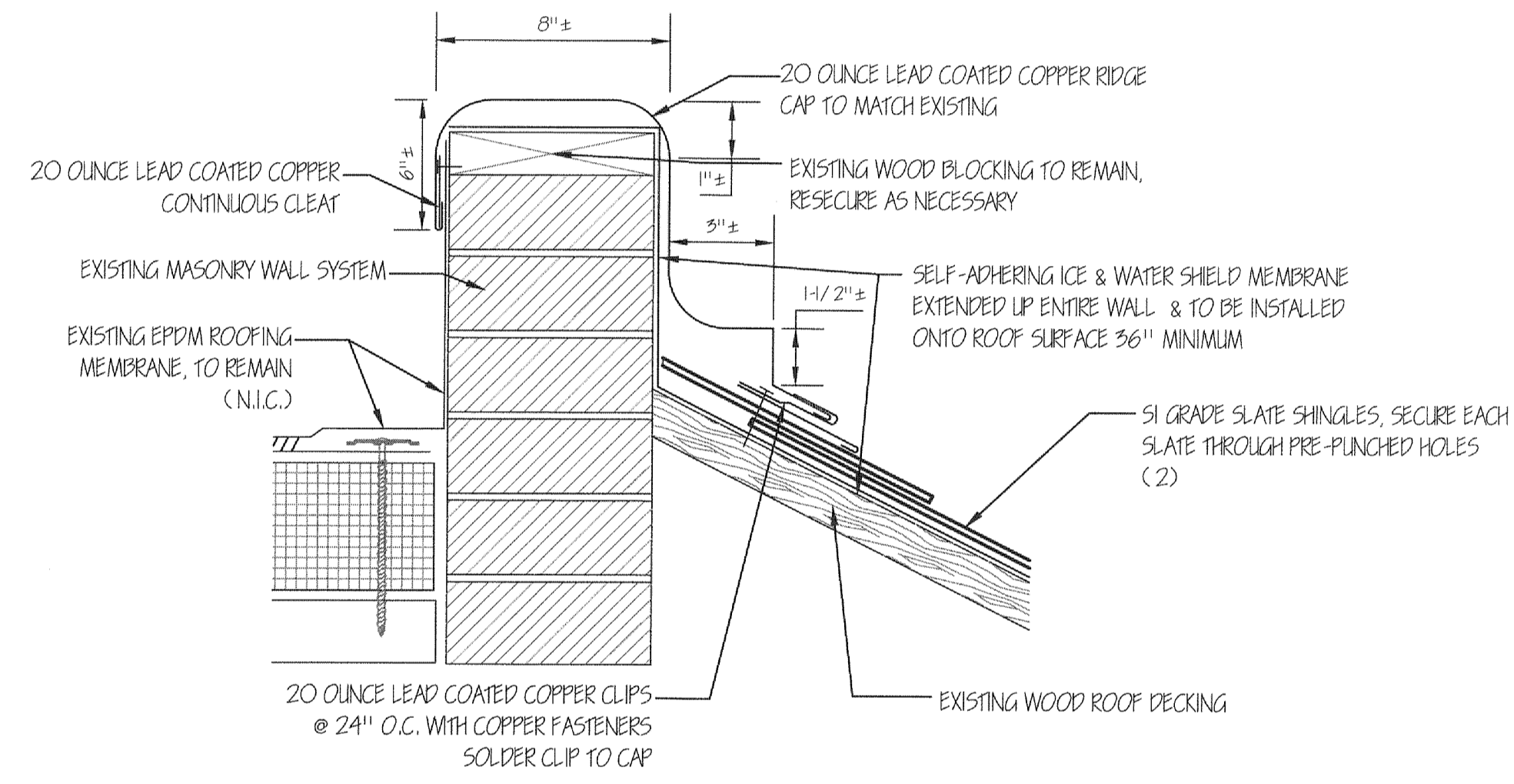
**1 RIDGE / HIP FLASHING DETAIL**  
R-2 SCALE: N.T.S.



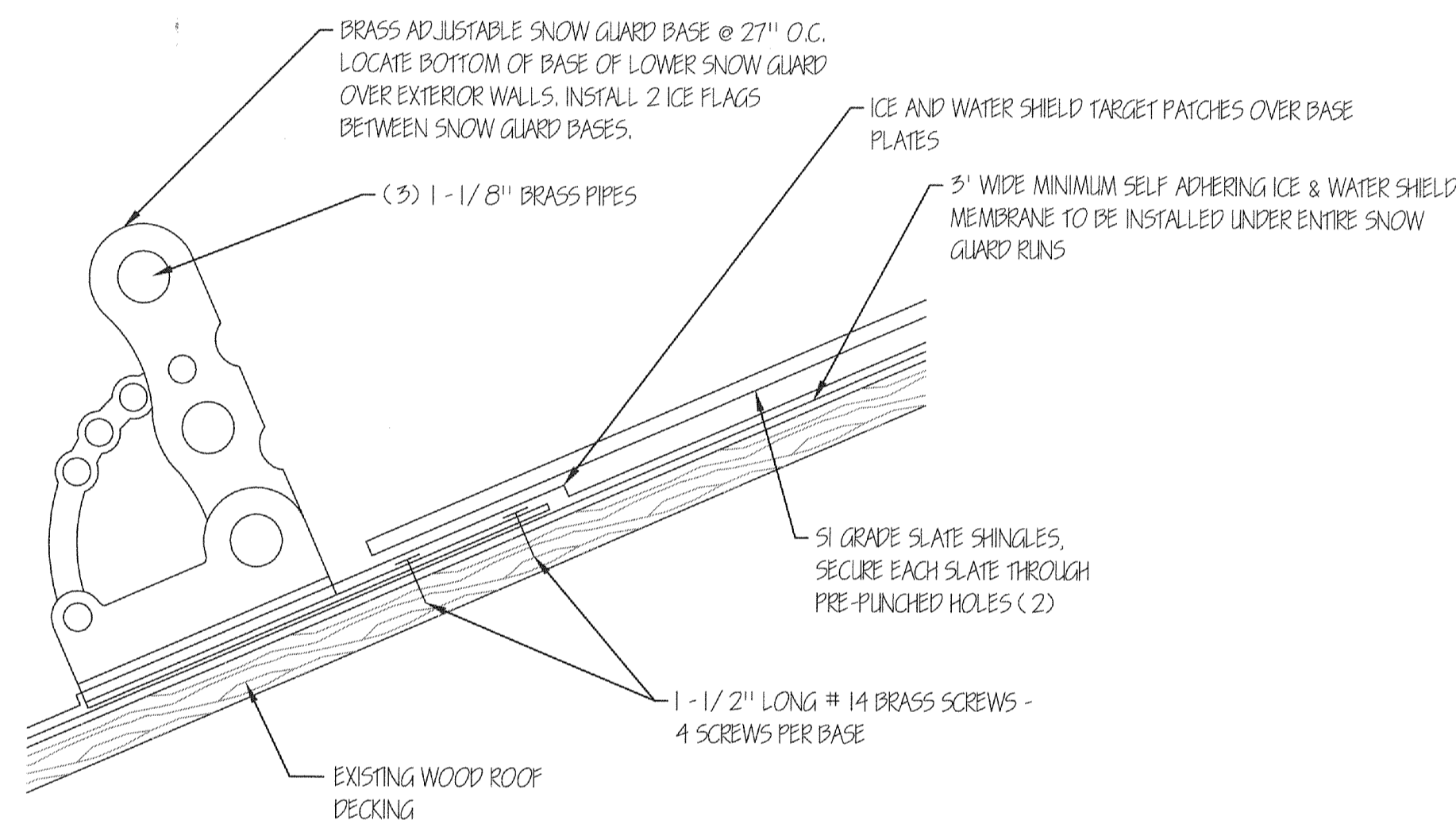
**2 STEP FLASHING AT MASONRY WALL DETAIL**  
R-2 SCALE: N.T.S.



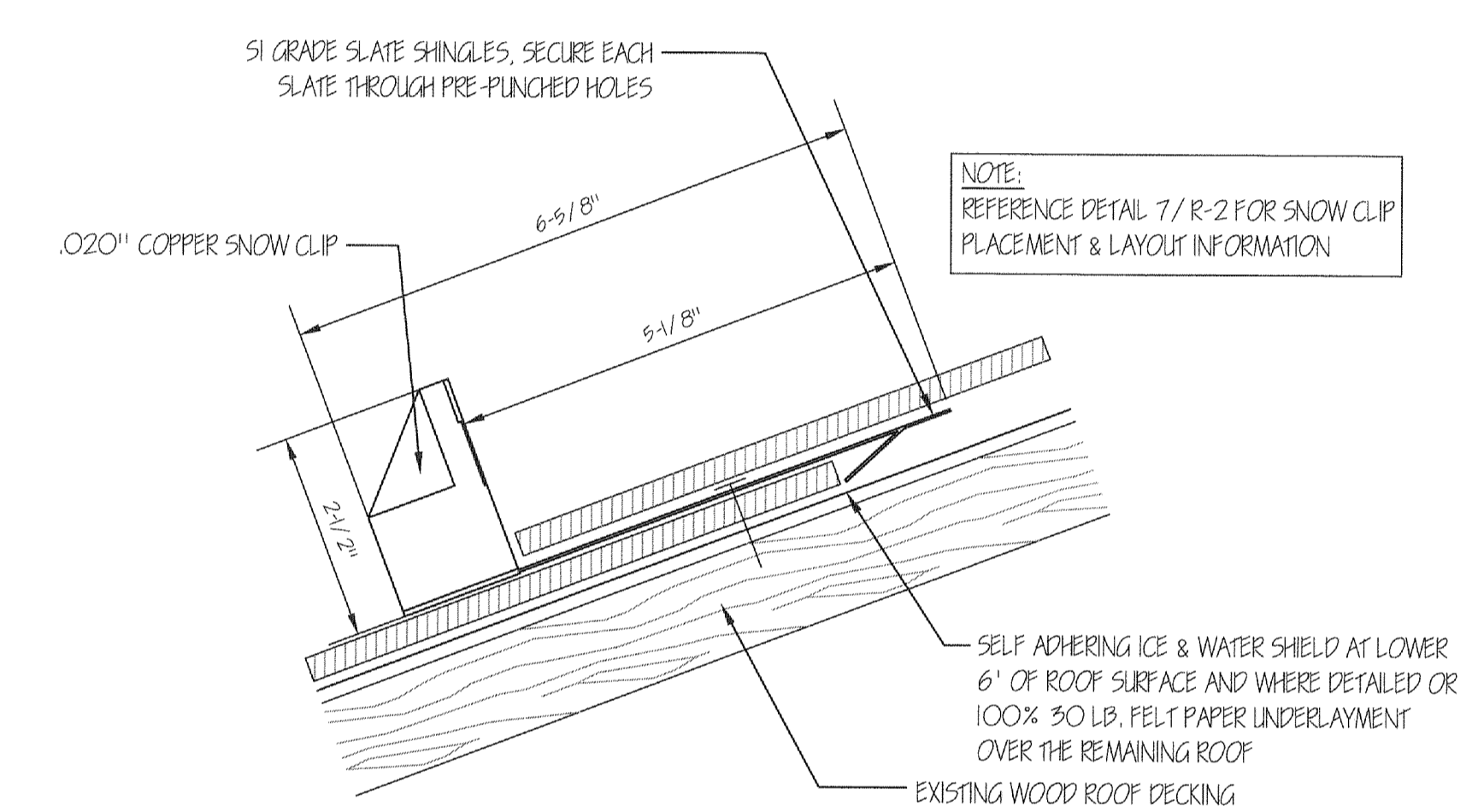
**3 APRON FLASHING DETAIL**  
R-2 SCALE: N.T.S.



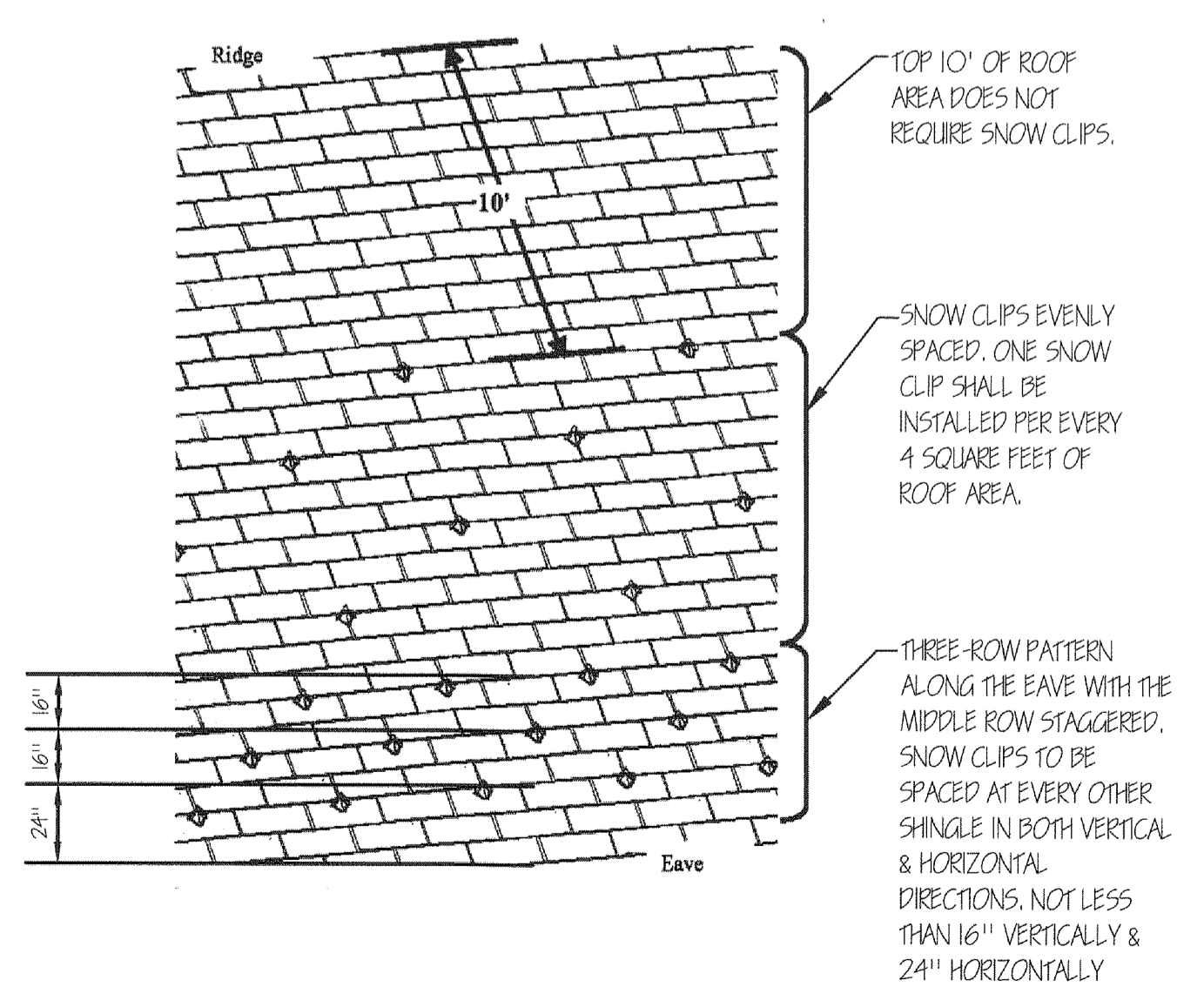
**4 PARAPET WALL FLASHING DETAIL**  
R-2 SCALE: N.T.S.



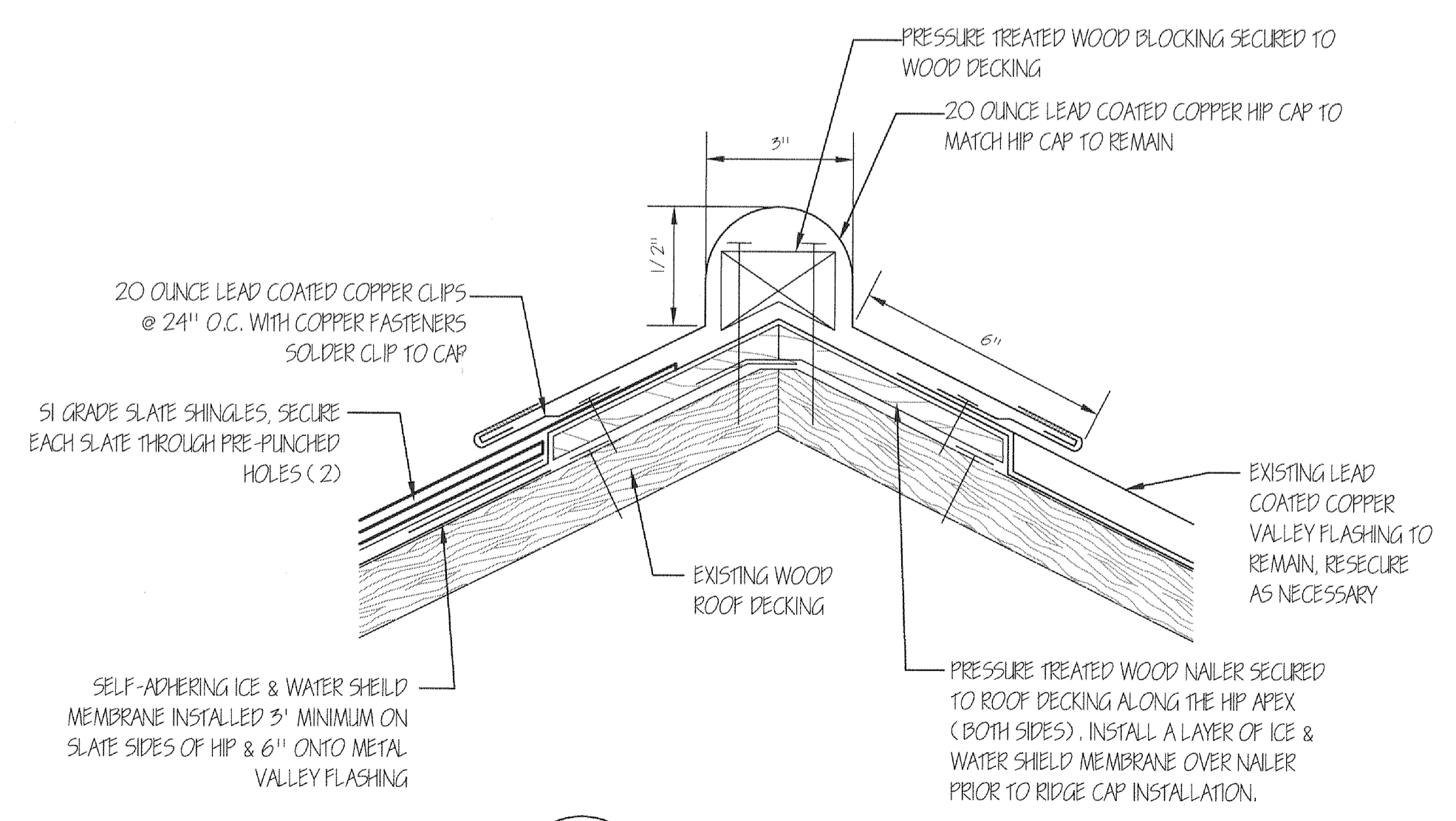
**5 SNOW GUARD DETAIL**  
R-2 SCALE: N.T.S.



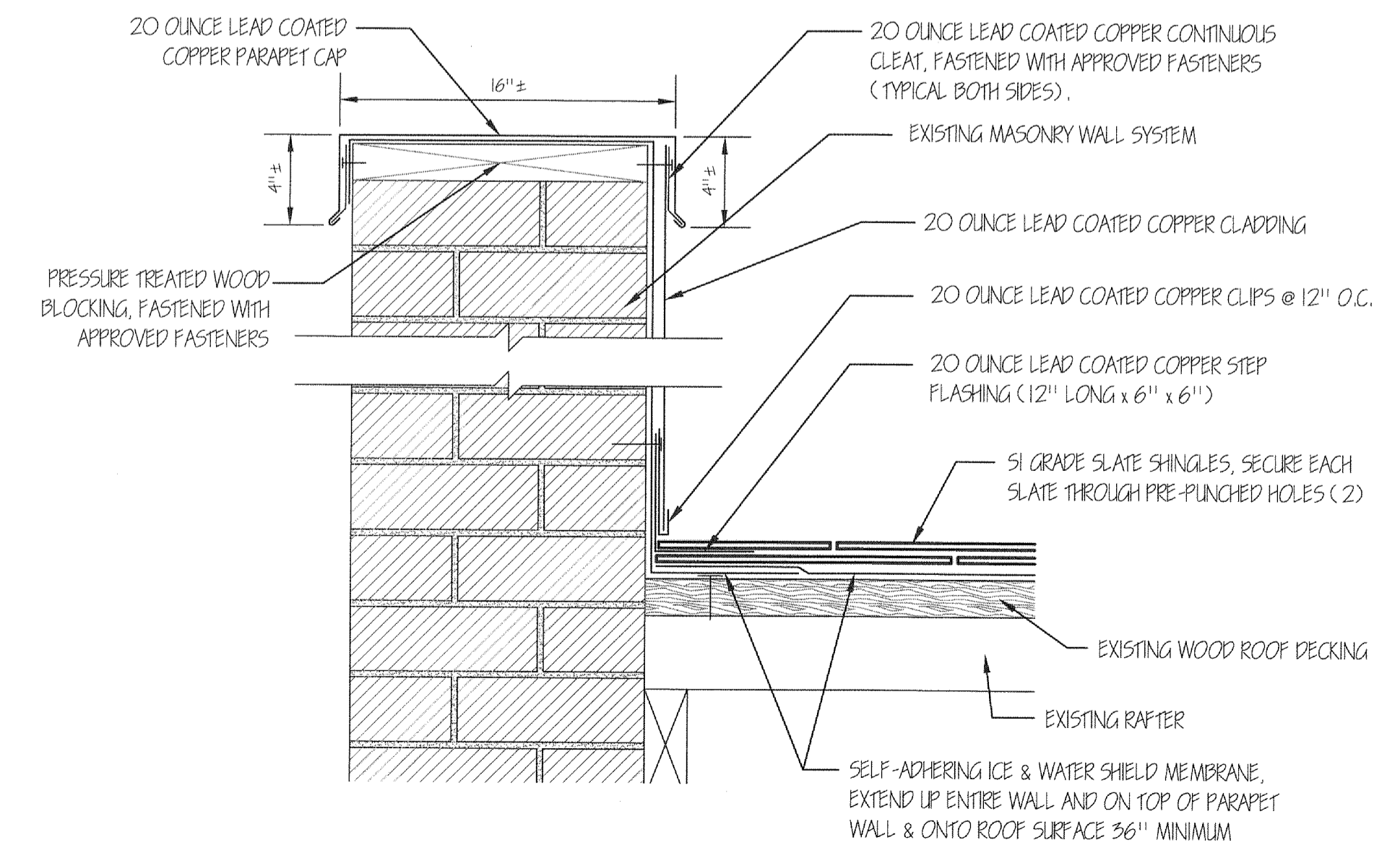
**6 SNOW CLIP DETAIL**  
R-2 SCALE: N.T.S.



**7 SNOW CLIP LAYOUT DETAIL**  
R-2 SCALE: N.T.S.



**8 HIP FLASHING DETAIL**  
R-2 SCALE: N.T.S.



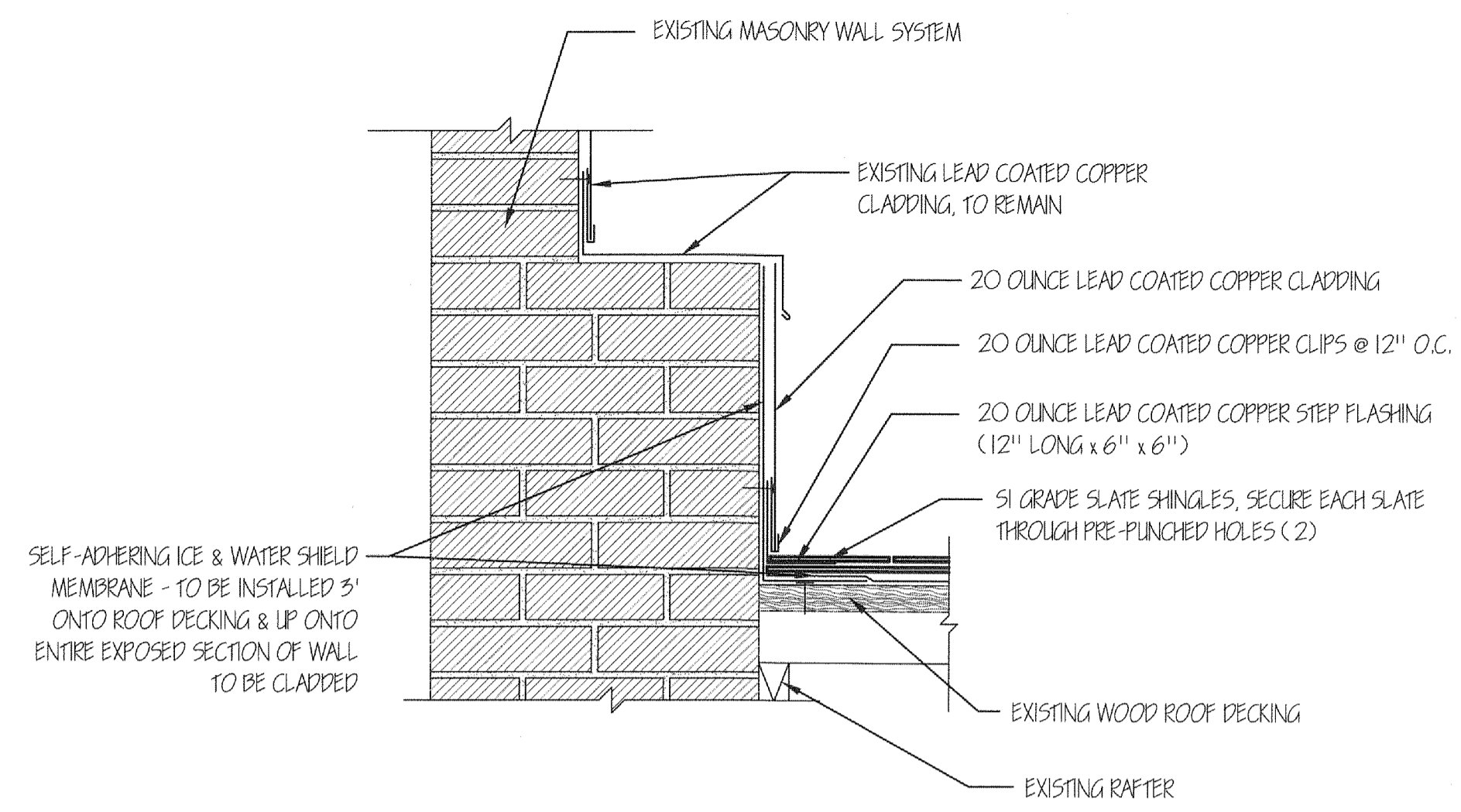
**9 PARAPET WALL FLASHING DETAIL**  
R-2 SCALE: N.T.S.

DESCRIPTION	BY	DATE	NO

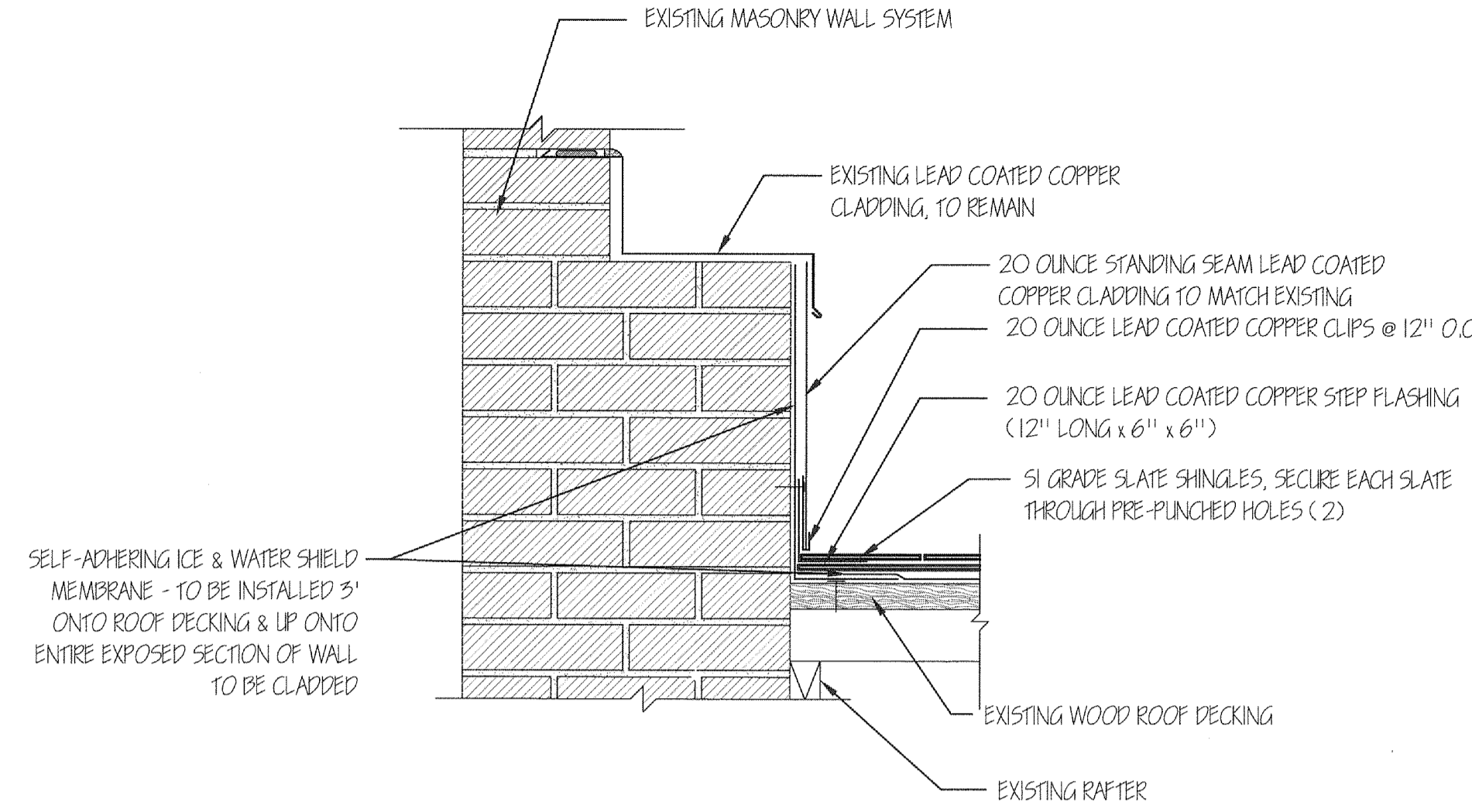
**RUSSELL BARR ASSOCIATES**  
33 Center Street, 2nd Floor, Burlington, MA 01803

**ROBBINS LIBRARY - BID NO. 13-06**  
700 MASSACHUSETTS AVENUE  
ARLINGTON, MASSACHUSETTS  
ROOF REPLACEMENT PROJECT  
SLATE ROOFING DETAILS

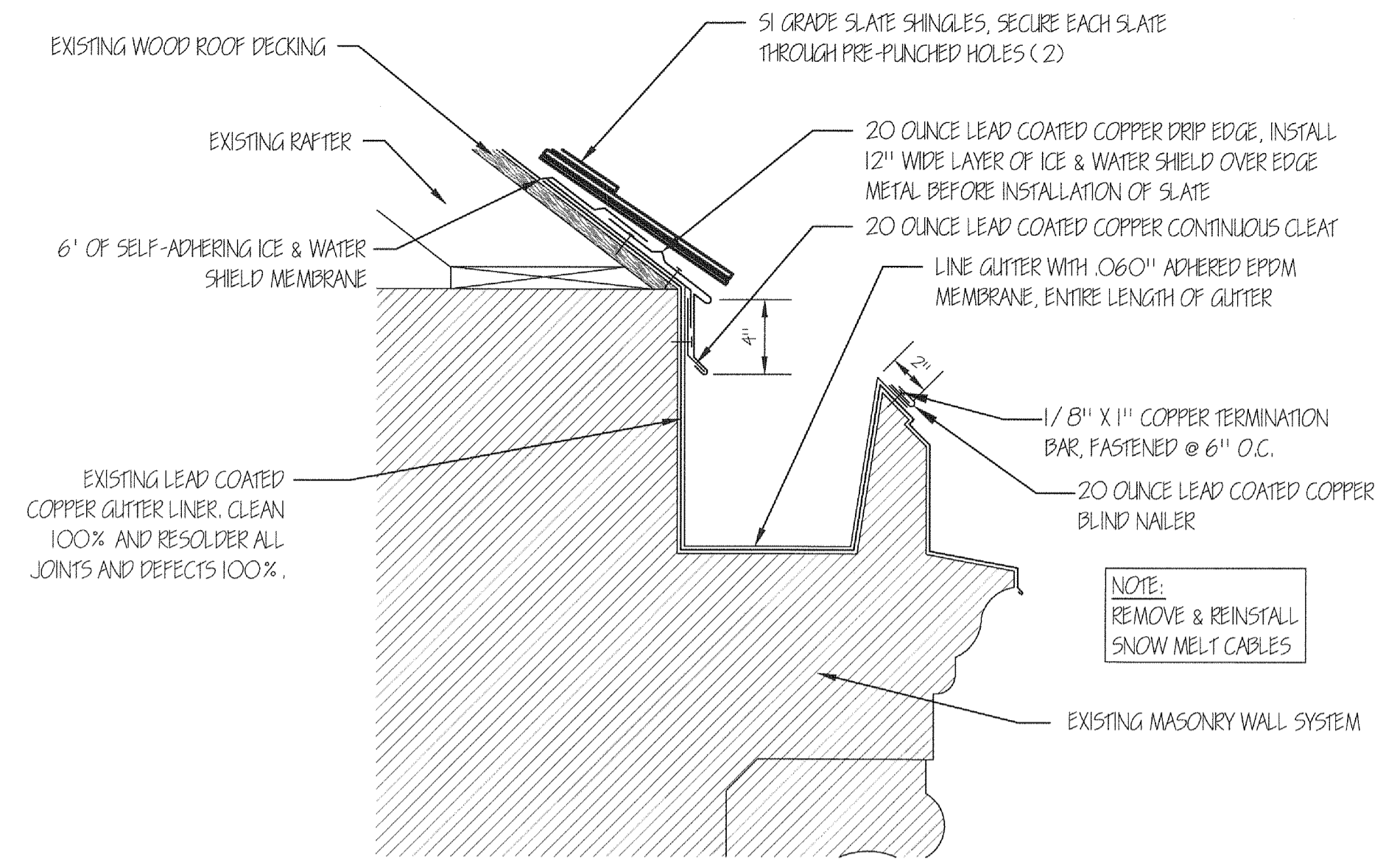
DATE	04.04.13
SCALE	AS NOTED
DRAWN BY / CHECKED BY	jrw/MJF
PROJECT NO	2013004.00
DRAWING NO	R-2



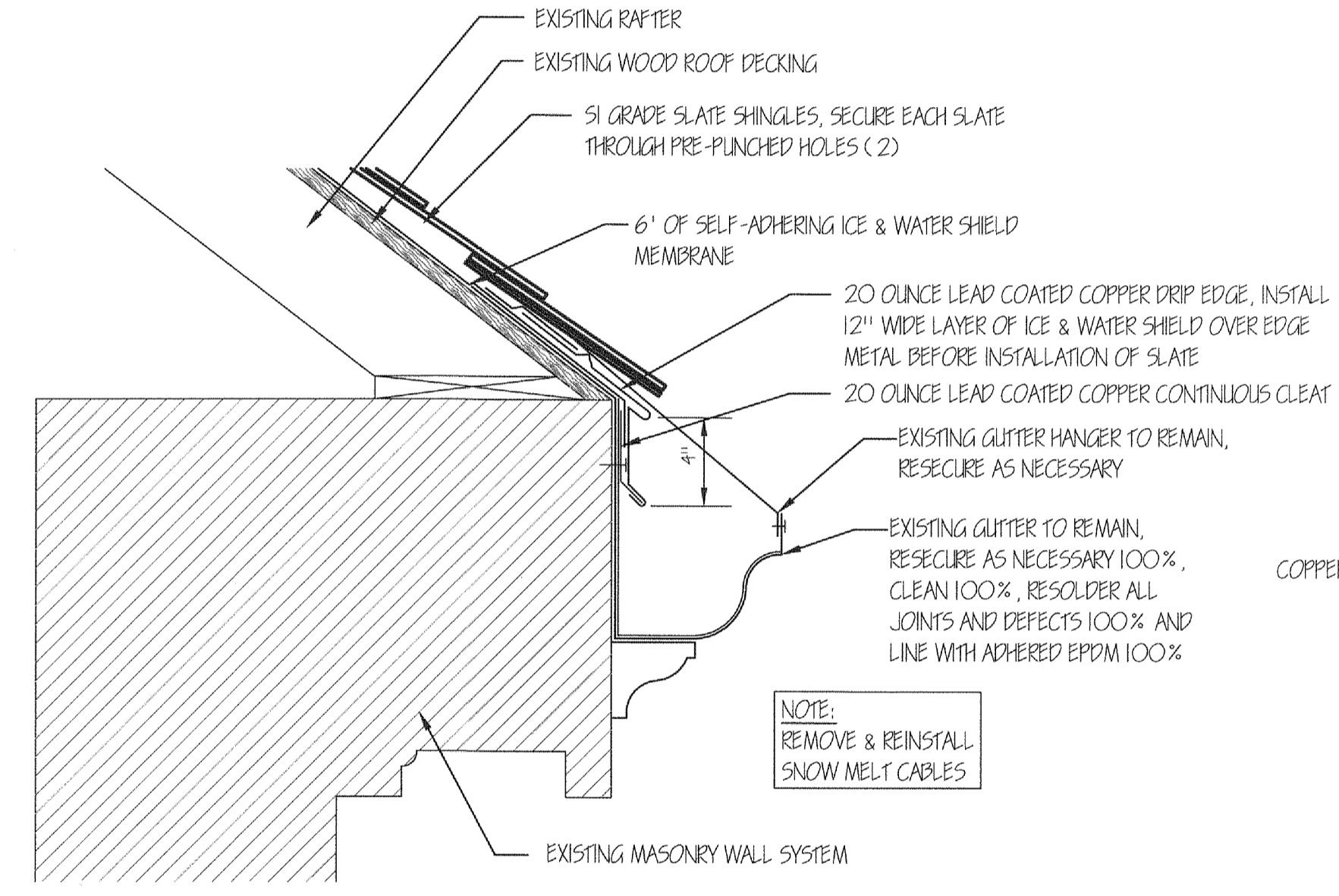
10 STEP FLASHING AT METAL CLADDING DETAIL  
R-3 SCALE: N.T.S.



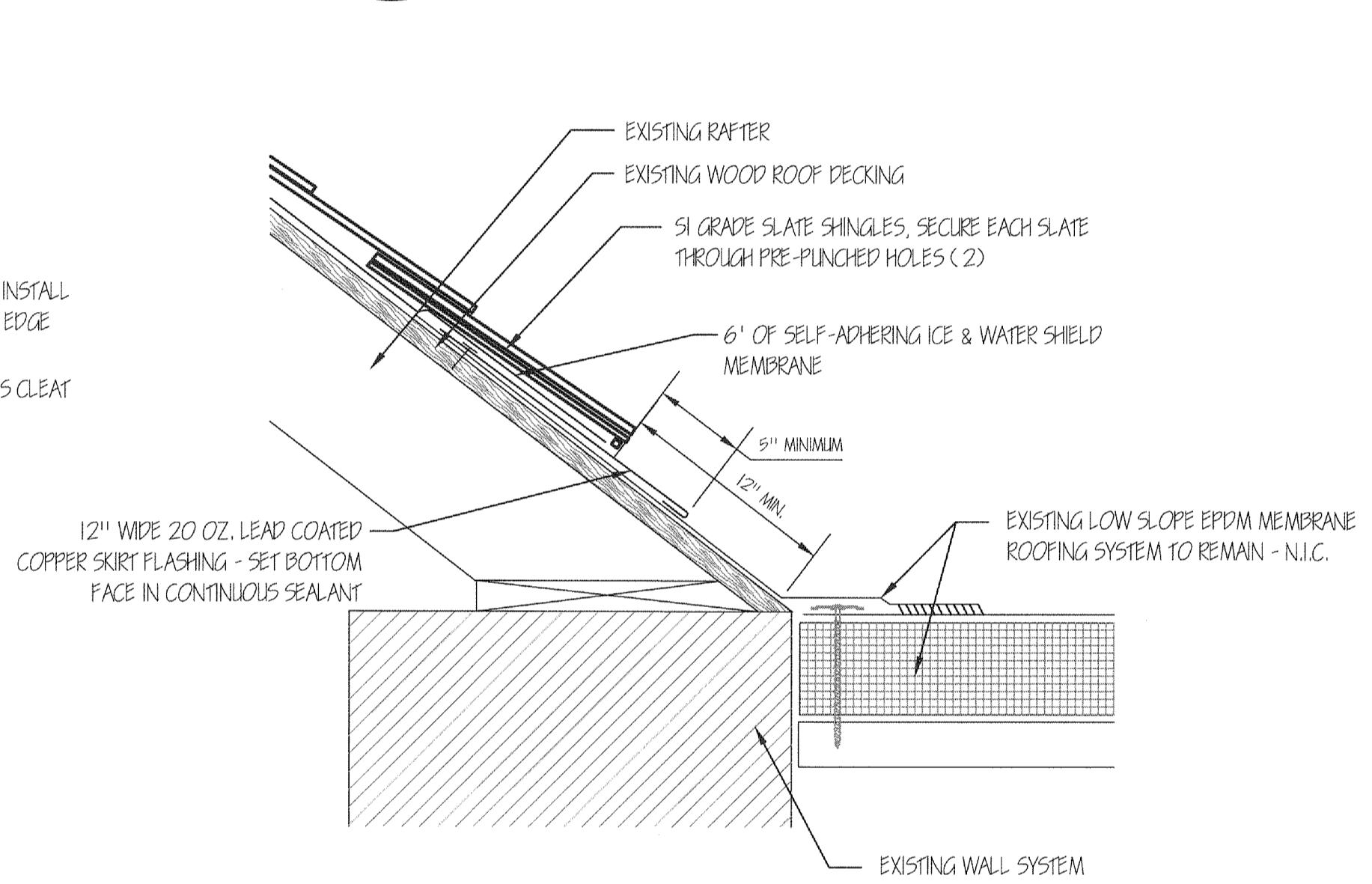
11 STEP FLASHING AT METAL CLADDING DETAIL  
R-3 SCALE: N.T.S.



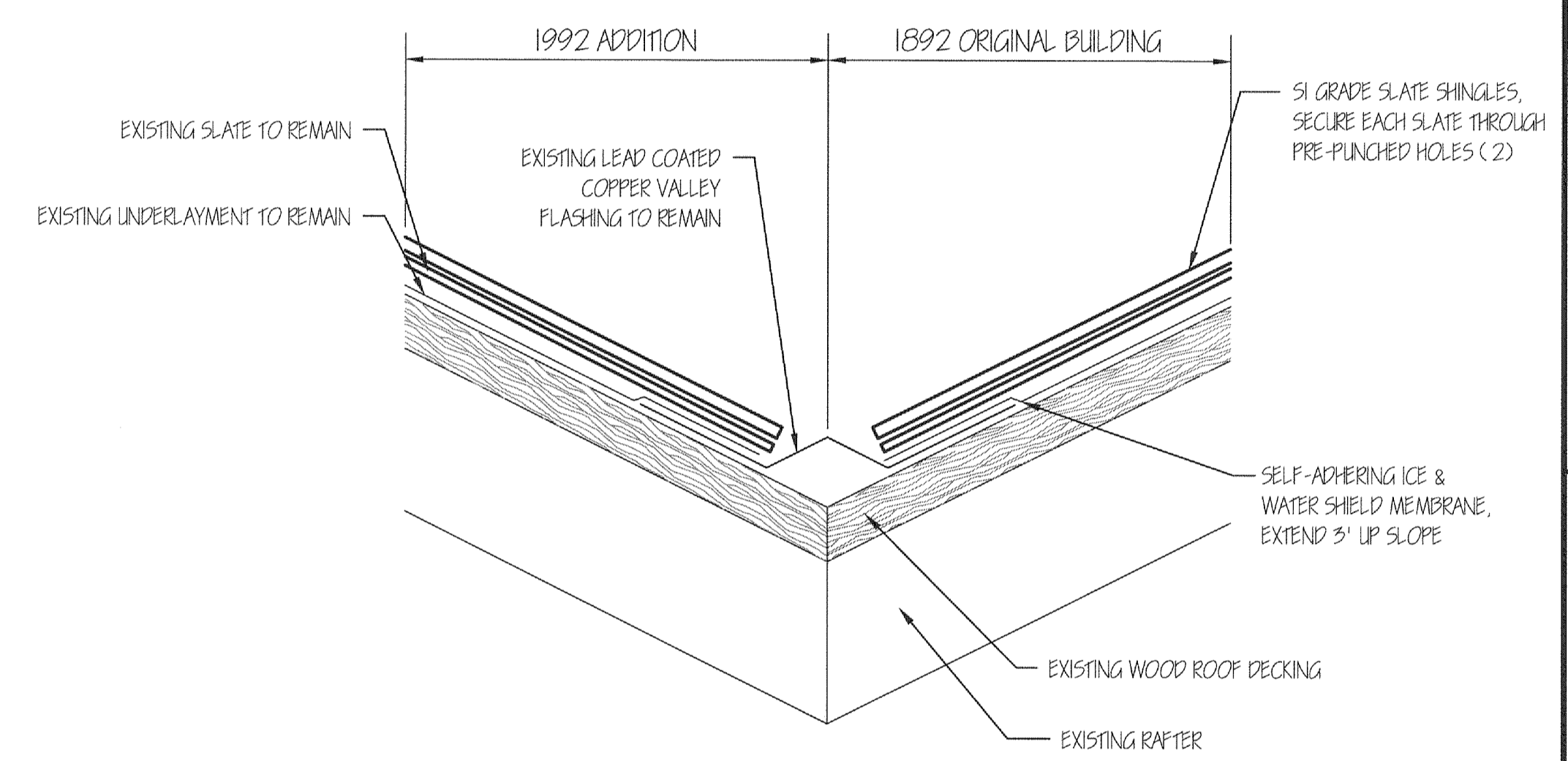
12 EAVE / GUTTER DETAIL (1892 BUILDING)  
R-3 SCALE: N.T.S.



13 EAVE / GUTTER DETAIL (1931 BUILDING)  
R-3 SCALE: N.T.S.



14 TRANSITION DETAIL  
R-3 SCALE: N.T.S.



15 VALLEY DETAIL  
R-3 SCALE: N.T.S.

NO	DATE	BY	DESCRIPTION

**RUSSO BARR**  
ARCHITECTS

33 Center Street, 2nd Floor, Burlington, MA 01803

**ROBBINS LIBRARY - BID NO. 13-06**  
700 MASSACHUSETTS AVENUE  
ARLINGTON, MASSACHUSETTS  
ROOF REPLACEMENT PROJECT  
SLATE ROOFING DETAILS

DATE	04.04.13
SCALE	AS NOTED
DRAWN BY / CHECKED BY	jrjw/MJF
PROJECT NO	2013004.00
DRAWING NO	R-3