

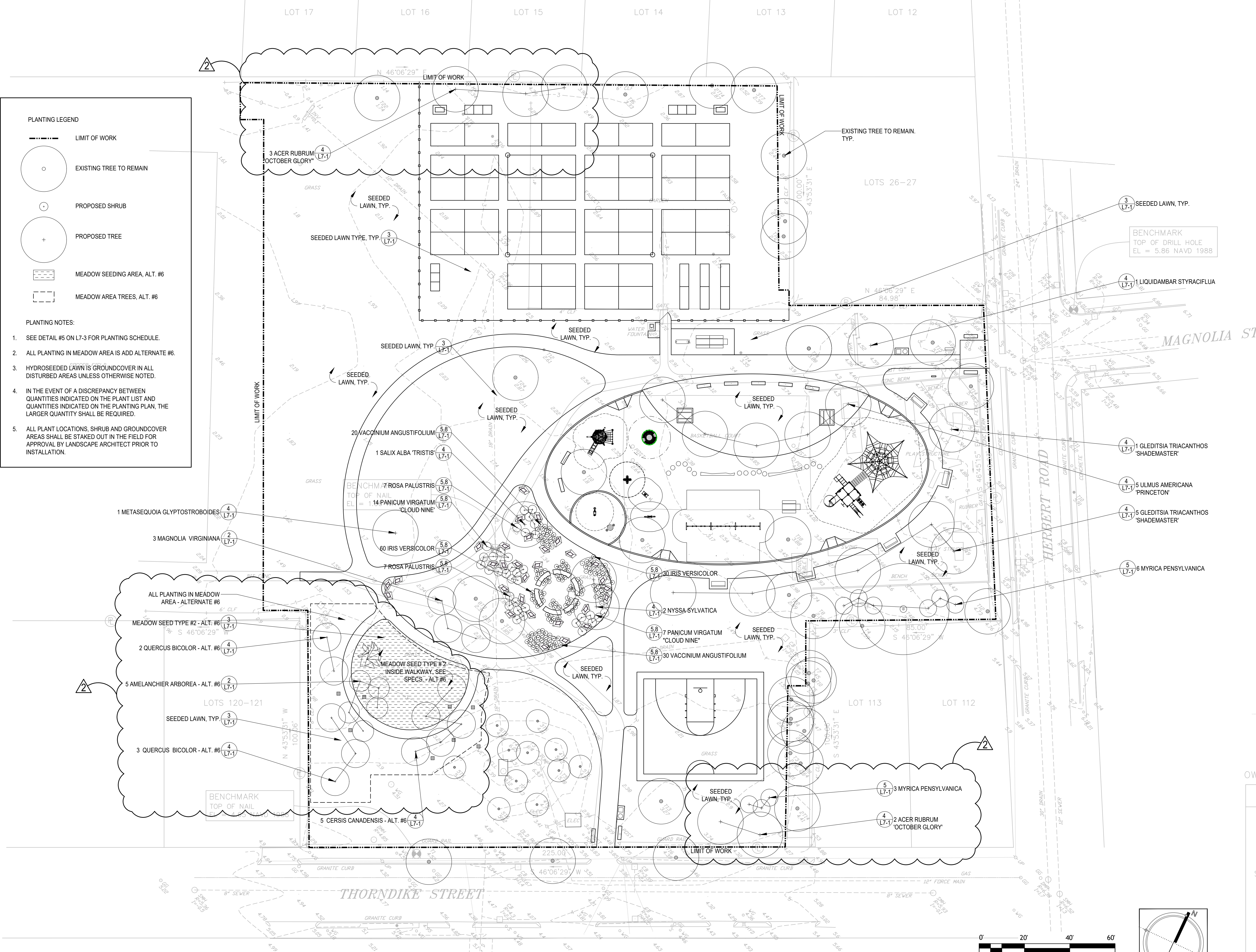
7/1/16 7:38:05 AM C:\Users\Admin\Documents\Hedlund Design Group\15.2--Magnolia Park\CAD\GD\LOTS\L6 Planting--2016--6--30 Amendment.dwg

PLANTING LEGEND

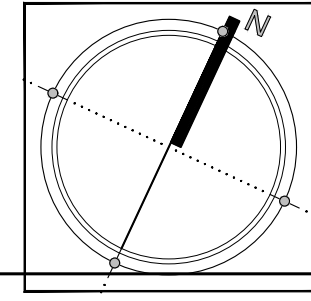
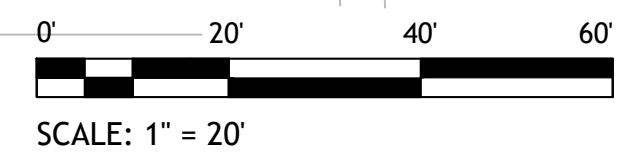
- LIMIT OF WORK
- EXISTING TREE TO REMAIN
- PROPOSED SHRUB
- PROPOSED TREE
- MEADOW SEEDING AREA, ALT. #6
- MEADOW AREA TREES, ALT. #6

PLANTING NOTES:

- SEE DETAIL #5 ON L7-3 FOR PLANTING SCHEDULE.
- ALL PLANTING IN MEADOW AREA IS ADD ALTERNATE #6.
- HYDROSEEDED LAWN IS GROUND COVER IN ALL DISTURBED AREAS UNLESS OTHERWISE NOTED.
- IN THE EVENT OF A DISCREPANCY BETWEEN QUANTITIES INDICATED ON THE PLANT LIST AND QUANTITIES INDICATED ON THE PLANTING PLAN, THE LARGER QUANTITY SHALL BE REQUIRED.
- ALL PLANT LOCATIONS, SHRUB AND GROUND COVER AREAS SHALL BE STAKED OUT IN THE FIELD FOR APPROVAL BY LANDSCAPE ARCHITECT PRIOR TO INSTALLATION.



NOTE: ENTIRE PARK LOCATED WITHIN FLOOD ZONE AE.



HEDLUND DESIGN GROUP
Landscape Architecture + Planning

10 Central Street, Arlington MA 02476 USA
t 617-826-9302 w www.hedlunddesign.com

DESIGN CONSULTANT:
hord|coplan|macht

HORD COPLAN MACHT, INC.
ARCHITECTURE
LANDSCAPE ARCHITECTURE
PLANNING
INTERIOR DESIGN
759 E Pratt Street, Suite 1100
Baltimore, MD 21202
410 837 7311
410 837 6550 fax
www.hcm2.com

dej SITE DESIGN
CIVIL ENGINEERING
LAND PLANNING
DESIGN • ENGINEERING • INNOVATION
14 Spring St. 1st Floor
Waltham, MA 02451
781 850 2731
www.doyteeng.com

2	N.O.I. PERMIT AMENDMENT	6-30-2016
1	ISSUED FOR BID	3-28-2016
No.	Description	Date

DWG ISSUE & REVISION HISTORY

Stamp

N.O.I. PERMIT AMENDMENT

Project Title:
**MAGNOLIA PARK
ARLINGTON, MA**

Drawing Title:
**N.O.I. PERMIT AMENDMENT
PLANTING PLAN**

Project No. 080215
Drawn By: PWH
Checked By: PWH
Scale: 1"=20'
Date: June 30, 2016

Drawing No. **L6**