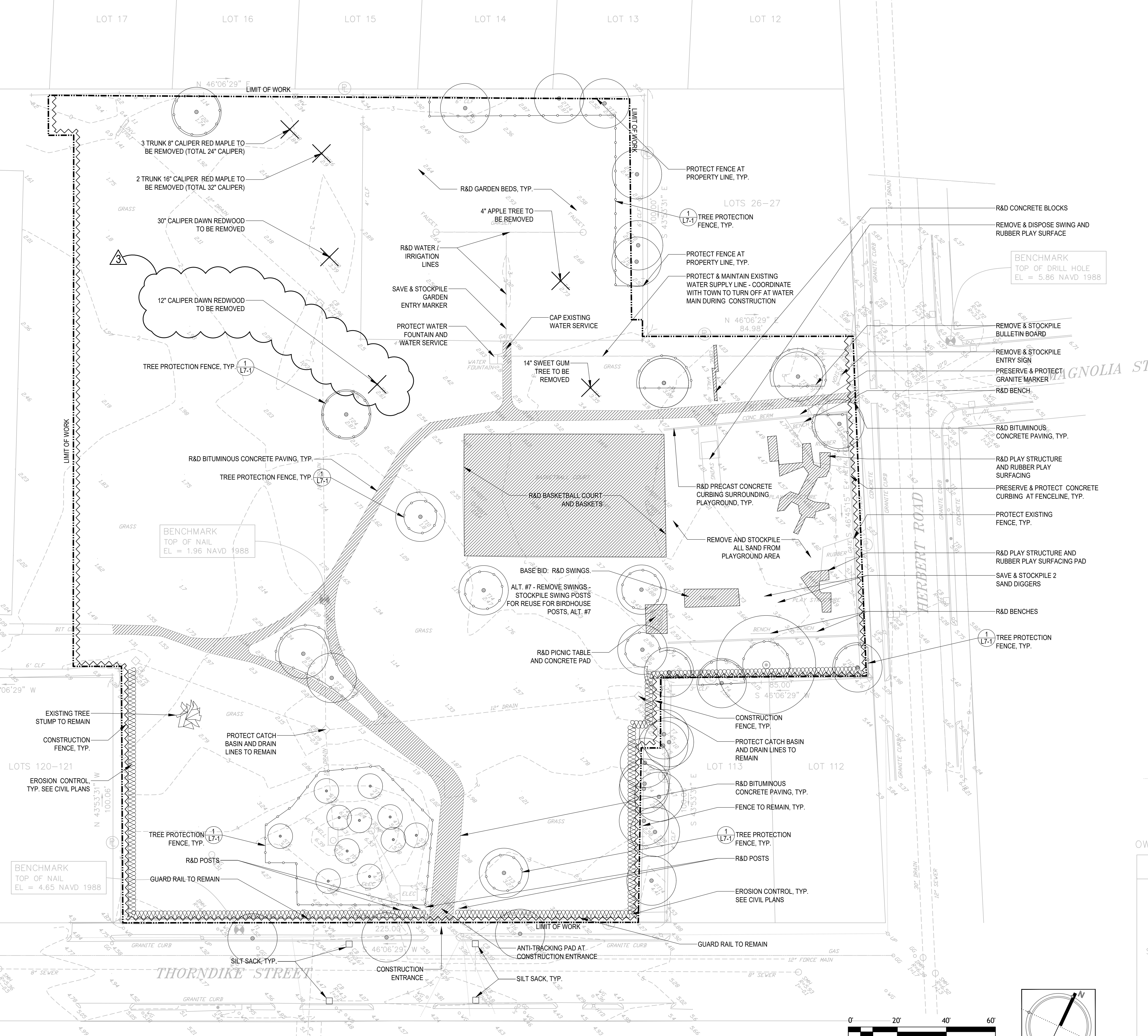


8/15/16 3:29:29 PM C:\Users\Admin\Documents\Hedlund Design Group\Hedlund Design Group\15.2-Magnolia Park\CAD\CD\PLOTS\L2 Site Preparation And Demolition.dwg

SITE PREPARATION & DEMOLITION LEGEND

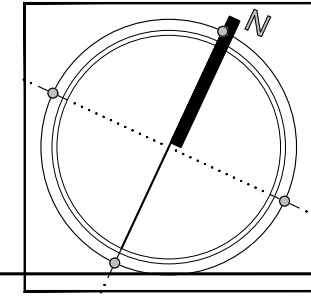
- LIMIT OF WORK
- EXISTING TREE TO REMAIN AND BE PROTECTED
- ✕ EXISTING TREE TO BE REMOVED & DISPOSED - FLUSH CUT AND GRUB, REMOVE ROOTS
- ⊗ EXISTING TREE TO BE REMOVED & SALVAGED - ALT#7
- ⊗ EXISTING TREE TO BE REMOVED & SALVAGED - CUT AT 10' OFF OF GROUND - ALT.#7
- ▨ ITEM TO BE REMOVED & DISPOSED
- TREE PROTECTION FENCE - EXISTING TREE TO REMAIN
- R&D REMOVE & DISPOSE
- CONSTRUCTION FENCE
- ⊘ EROSION CONTROL

- SITE PREPARATION & DEMOLITION NOTES:**
- THE GENERAL CONTRACTOR SHALL VERIFY ALL EXISTING CONDITIONS IN THE FIELD AND REPORT ANY DISCREPANCIES BETWEEN THE PLANS AND THE ACTUAL CONDITIONS TO THE LANDSCAPE ARCHITECT PRIOR TO STARTING WORK.
 - THE GENERAL CONTRACTOR IS RESPONSIBLE FOR ANY DAMAGE TO EXISTING CONDITIONS THAT ARE DUE TO CONTRACTOR OPERATIONS AND WHICH ARE OUTSIDE THE LIMIT OF WORK.
 - BEFORE ANY CLEARING IS DONE, THE GENERAL CONTRACTOR SHALL ARRANGE A CONFERENCE ON THE SITE WITH THE LANDSCAPE ARCHITECT TO IDENTIFY TREES WHICH ARE TO BE PROTECTED AND/OR REMOVED. DO NOT REMOVE ANY TREES WITHOUT A CLEAR UNDERSTANDING OF EXISTING CONDITIONS TO BE PROTECTED AND APPROVAL BY THE LANDSCAPE ARCHITECT.
 - THE GENERAL CONTRACTOR SHALL BE RESPONSIBLE FOR THE PROTECTION OF ALL EXISTING TREES AND PLANTS DESIGNATED TO REMAIN FOR THE LENGTH OF THE CONSTRUCTION PERIOD.
 - ALL TREES NOT DESIGNATED FOR REMOVAL SHALL HAVE BASIC PRUNING BY A MASSACHUSETTS CERTIFIED ARBORIST UNDER SUPERVISION OF LANDSCAPE ARCHITECT. SEE SPECIFICATIONS.
 - THE GENERAL CONTRACTOR SHALL MAINTAIN OR ADJUST TO NEW FINISH GRADE AS NECESSARY ALL UTILITY AND SITE STRUCTURES SUCH AS SIGN POLES, MANHOLES, CATCH BASINS, HAND HOLDS, WATER AND GAS GATES, HYDRANTS, ETC. FROM MAINTAINED UTILITY AND SITE SYSTEMS UNLESS OTHERWISE NOTED ON THE UTILITY DRAWINGS OR AS DIRECTED BY THE LANDSCAPE ARCHITECT.
 - THE GENERAL CONTRACTOR SHALL COORDINATE ALL ADJUSTMENT OR ABANDONMENT OF UTILITIES WITH THE RESPECTIVE UTILITY COMPANY.
 - EXACT LOCATION FOR SILT FENCE AND TREE PROTECTION TO BE APPROVED IN FIELD BY LANDSCAPE ARCHITECT.
 - ALL ITEMS REQUIRING REMOVAL SHALL BE REMOVED TO FULL DEPTH TO INCLUDE BASE MATERIAL AND FOOTINGS OR FOUNDATIONS AS APPLICABLE, AND REUSED AS DIRECTED BY THE OWNER OR LEGALLY DISPOSED OF OFF-SITE BY THE CONTRACTOR.
 - THE GENERAL CONTRACTOR SHALL STRIP AND STOCKPILE EXISTING TOPSOIL TO FULL DEPTH WITHIN LIMIT OF GRADING BEFORE COMMENCING EXCAVATION AND GRADING OPERATIONS. THIS TOPSOIL SHALL NOT BE REMOVED FROM THE SITE.
 - AT ALL LOCATIONS WHERE CONCRETE PAVEMENT OR BITUMINOUS CONCRETE ABOUT NEW CONSTRUCTION, THE EDGE OF THE EXISTING PAVEMENT OR CURB SHALL BE SAWCUT TO A CLEAN, SMOOTH EDGE.
 - THE GENERAL CONTRACTOR TO COORDINATE WITH THE TOWN OF ARLINGTON FOR A METERED WATER SERVICE AS NEEDED FOR CONSTRUCTION.



NOTE: ENTIRE PARK LOCATED WITHIN FLOOD ZONE AE.

SCALE: 1" = 20'



HEDLUND DESIGN GROUP
Landscape Architecture + Planning

10 Central Street, Arlington MA 02476 USA
t 617-826-9302 w www.hedlunddesign.com

DESIGN CONSULTANT:
hord | coplan | macht
HORD COPLAN MACHT, INC.
ARCHITECTURE
LANDSCAPE ARCHITECTURE
PLANNING
INTERIOR DESIGN
750 E Pratt Street, Suite 1100
Baltimore, MD 21202
410 837 7311
410 837 6550 fax
www.hcm2.com

dej SITE DESIGN
CIVIL ENGINEERING
LAND PLANNING
DESIGN • ENGINEERING • INNOVATION
14 Spring St, 1st Floor
Waltham, MA 02451
781 850 2731
www.doylejenn.com

No.	Description	Date
3	CON COM REVISIONS	8-15-2016
2	TREE REMOVAL REVISION	5-26-2016
1	ISSUED FOR BID	3-28-2016

DWG ISSUE & REVISION HISTORY

Stamp

ISSUED FOR BID

Project Title:
**MAGNOLIA PARK
ARLINGTON, MA**

Drawing Title:
**SITE PREPARATION &
DEMOLITION PLAN**

Project No. 080215
Drawn By: PWH
Checked By: PWH
Scale: 1"=20'
Date: March 28, 2016

Drawing No. **L-2**