

Arlington Fire Truck
 Overall Length 40.000ft
 Overall Width 7.800ft
 Overall Body Height 7.280ft
 Min Body Ground Clearance 0.530ft
 Track Width 6.910ft
 Lock-to-lock time 5.00s
 Max Wheel Angle 40.00°

**ISSUED FOR PERMITTING
 NOT FOR CONSTRUCTION**

PROFESSIONAL ENGINEER

THORNDIKE PLACE

DOROTHY ROAD
 IN
 ARLINGTON
 MASSACHUSETTS
 (MIDDLESEX COUNTY)

**ARLINGTON FIRE TRUCK
 TURNING EXHIBIT**

JANUARY 12, 2021

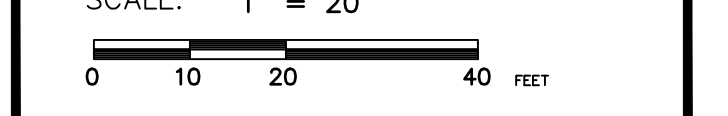
REVISIONS:

NO.	DATE	DESC.
1	9/18/20	NEW BUILDING FOOTPRINT
2	10/22/20	WETLAND DELINEATION
3	11/03/20	REVISED BUILDING
4	3/11/21	LAYOUT REVISIONS
5	5/10/21	NEW BUILDING FOOTPRINT
6	6/3/21	NEW BUILDING GRADING
8	8/27/21	FULL PLAN SET

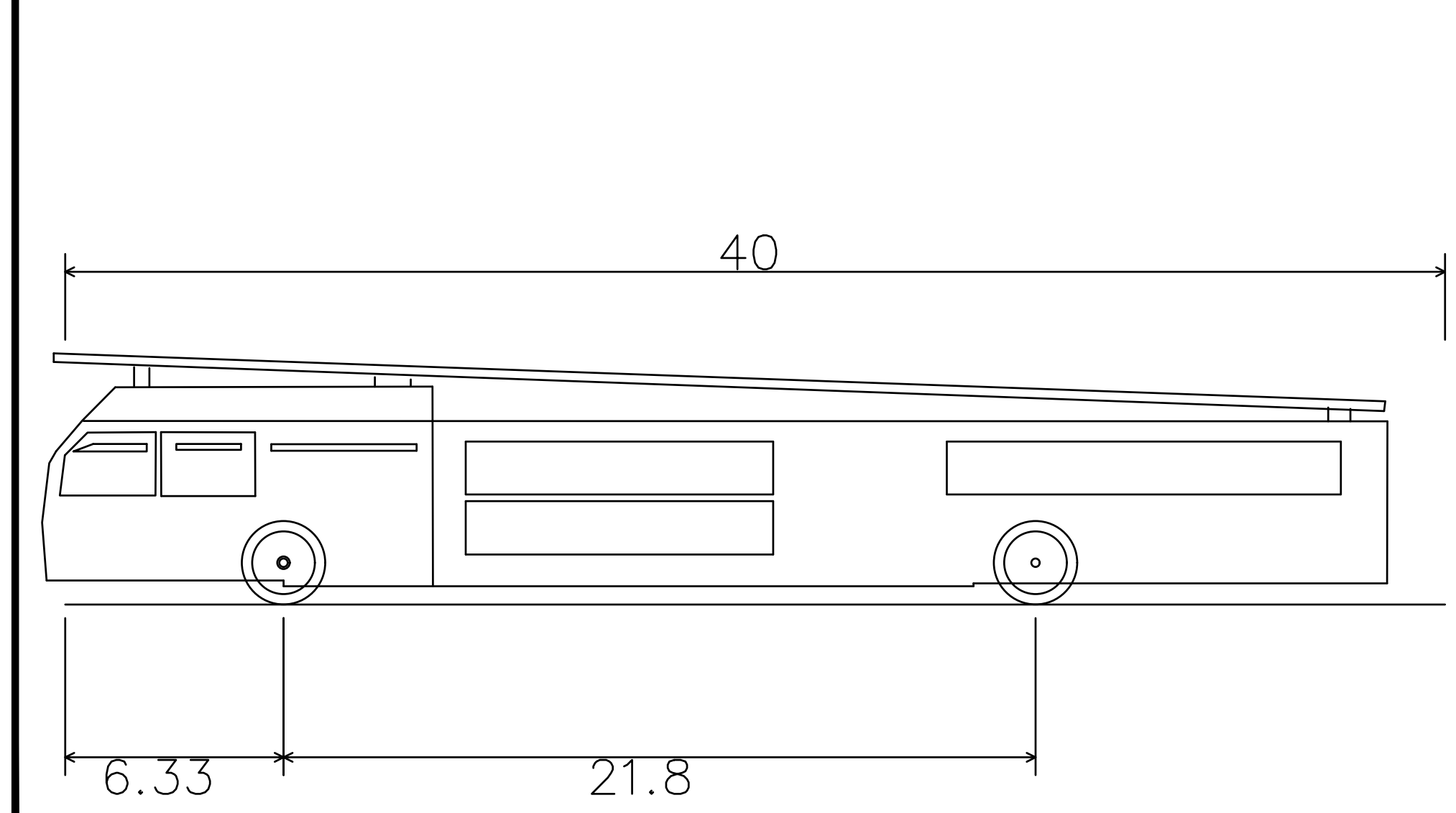
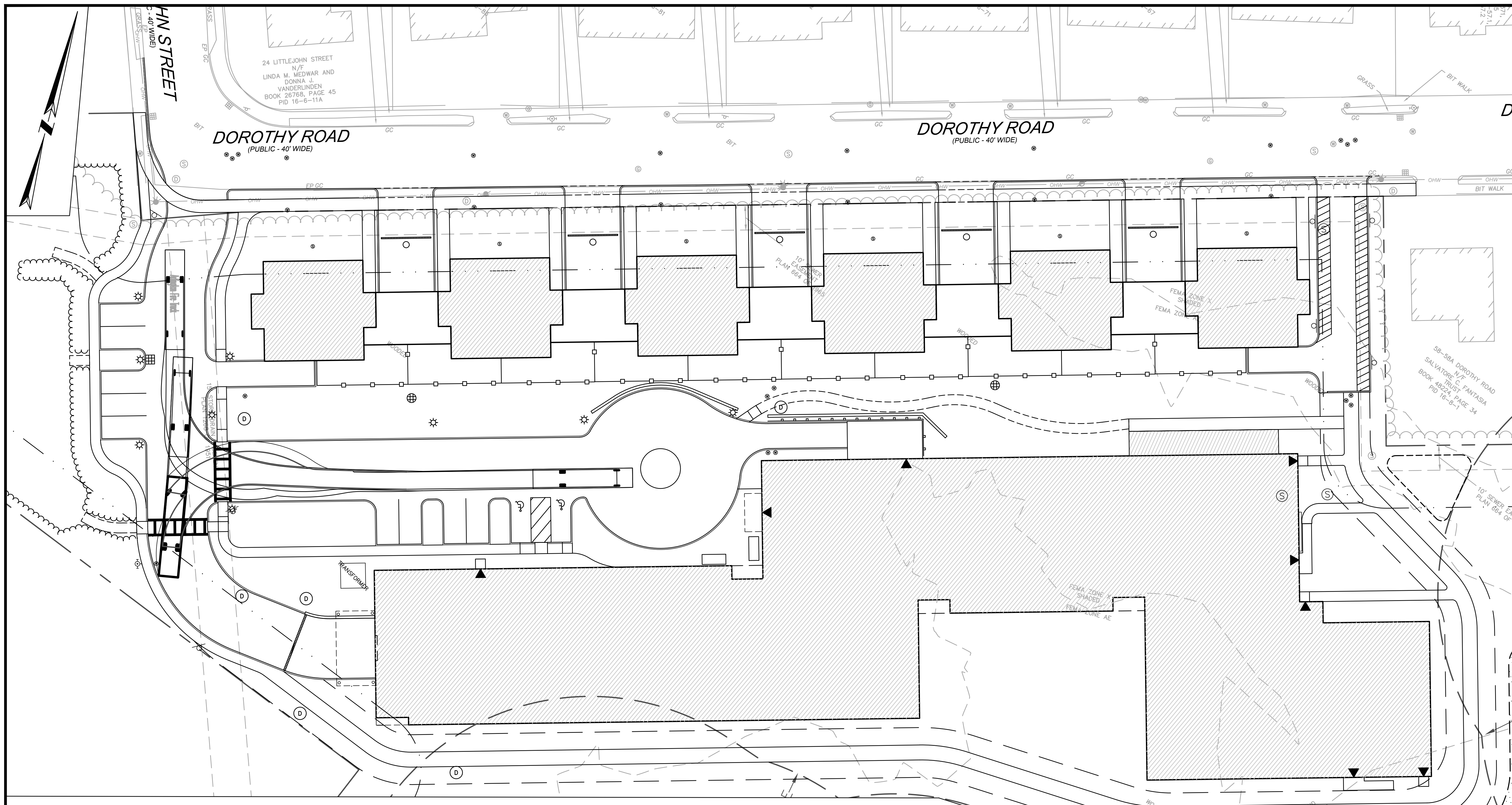
PREPARED FOR:
 ARLINGTON LAND REALTY, LLC
 84 SHERMAN STREET, 2ND FLOOR
 CAMBRIDGE, MA 02140

BSC GROUP
 803 Summer Street
 Boston, Massachusetts
 02127
 617 896 4300

© 2021 BSC Group, Inc.
 SCALE: 1" = 20'



FILE: \Civil\Drawings\2340700-LM
 DWG.: ATRN-FIRE SHEET SK-01A
 JOB. NO: 23407.00



Arlington Fire Truck
 Overall Length 40.000ft
 Overall Width 7.800ft
 Overall Body Height 7.280ft
 Min Body Ground Clearance 0.530ft
 Track Width 6.910ft
 Lock-to-lock time 5.00s
 Max Wheel Angle 40.00°

**ISSUED FOR PERMITTING
 NOT FOR CONSTRUCTION**

PROFESSIONAL ENGINEER

THORNDIKE PLACE

DOROTHY ROAD
 IN
 ARLINGTON
 MASSACHUSETTS
 (MIDDLESEX COUNTY)

**ARLINGTON FIRE TRUCK
 TURNING EXHIBIT**

JANUARY 12, 2021

REVISIONS:

NO.	DATE	DESC.
1	9/18/20	NEW BUILDING FOOTPRINT
2	10/22/20	WETLAND DELINEATION
3	11/03/20	REVISED BUILDING
4	3/11/21	LAYOUT REVISIONS
5	5/10/21	NEW BUILDING FOOTPRINT
6	6/3/21	NEW BUILDING GRADING
8	8/27/21	FULL PLAN SET

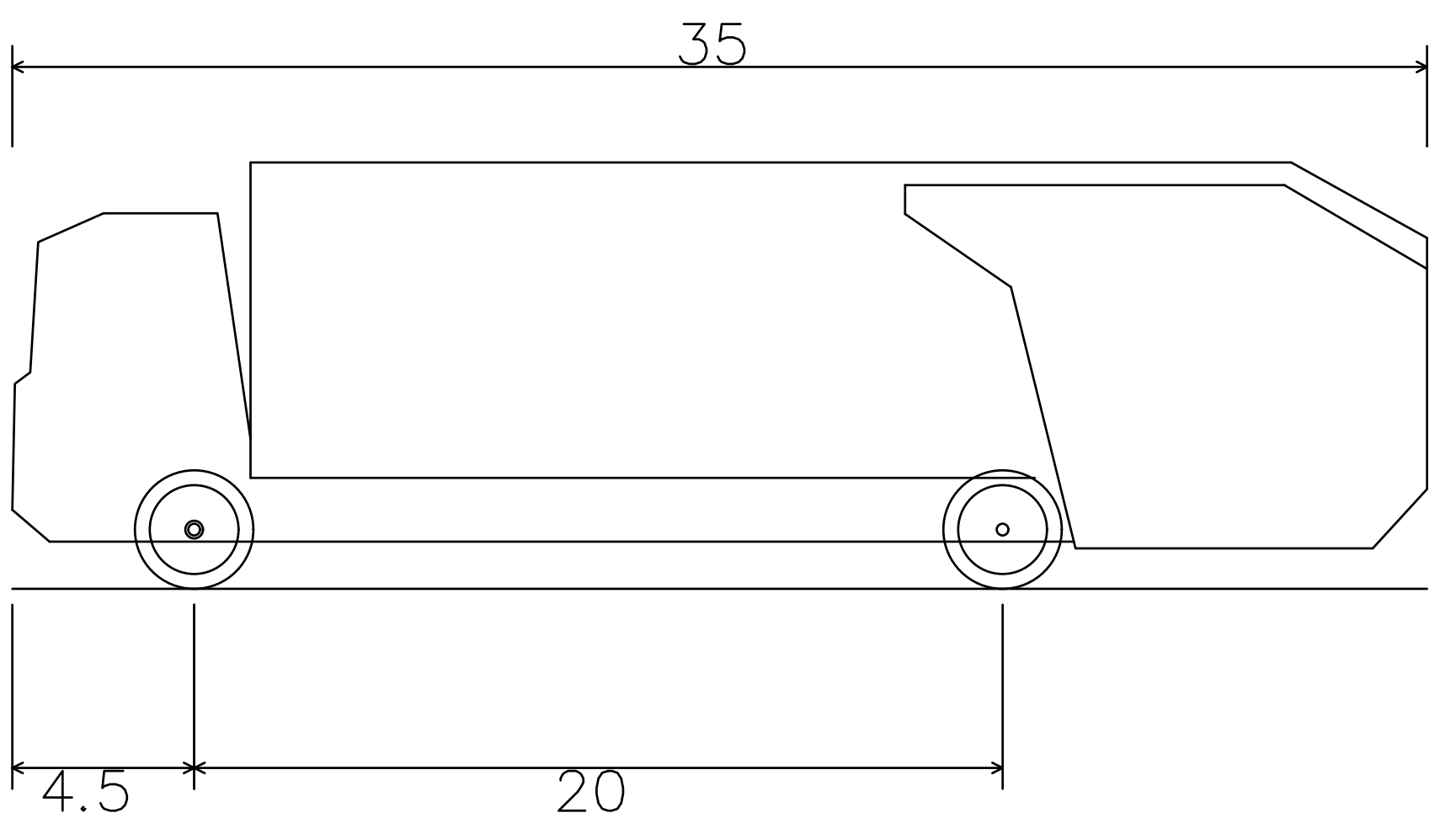
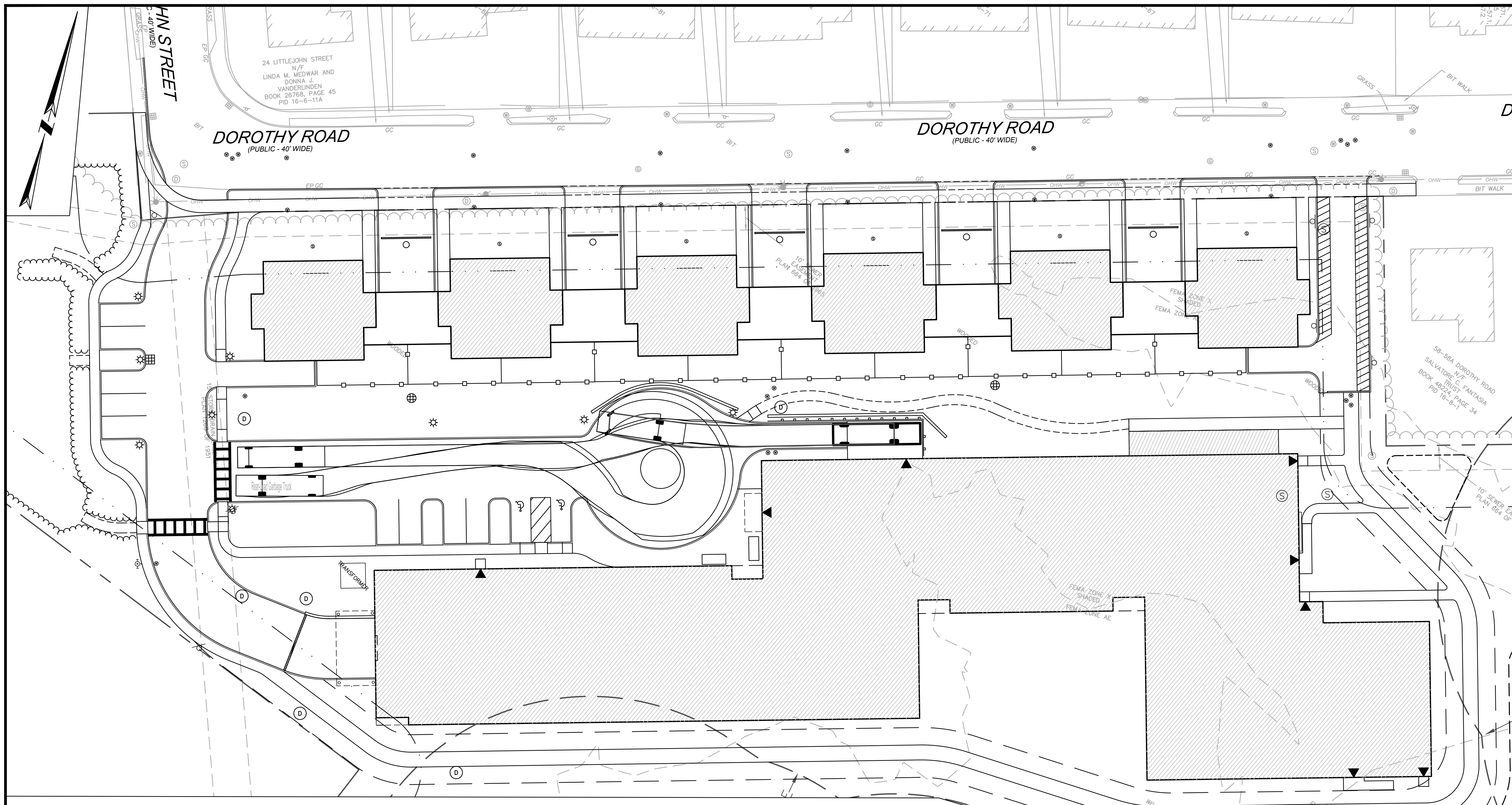
PREPARED FOR:
 ARLINGTON LAND REALTY, LLC
 84 SHERMAN STREET, 2ND FLOOR
 CAMBRIDGE, MA 02140

BSC GROUP
 803 Summer Street
 Boston, Massachusetts
 02127
 617 896 4300

© 2021 BSC Group, Inc.

SCALE: 1" = 20'
 0 10 20 40 FEET

FILE: \Civil\Drawings\2340700-LM
 DWG.: ATRN-FIRE SHEET SK-01B
 JOB. NO: 23407.00



Rear-Load Garbage Truck	
Overall Length	35.000ft
Overall Width	8.375ft
Overall Body Height	10.546ft
Min Body Ground Clearance	1.000ft
Track Width	8.375ft
Lock-to-lock time	6.00s
Curb to Curb Turning Radius	29.300ft

**ISSUED FOR PERMITTING
NOT FOR CONSTRUCTION**

PROFESSIONAL ENGINEER

THORNDIKE PLACE

DOROTHY ROAD
IN
ARLINGTON
MASSACHUSETTS
(MIDDLESEX COUNTY)

**GARBAGE TRUCK
TURNING EXHIBIT**

JANUARY 12, 2021

REVISIONS:

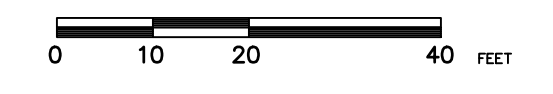
NO.	DATE	DESC.
1	9/18/20	NEW BUILDING FOOTPRINT
2	10/22/20	WETLAND DELINEATION
3	11/03/20	REVISED BUILDING
4	3/11/21	LAYOUT REVISIONS
5	5/10/21	NEW BUILDING FOOTPRINT
6	6/3/21	NEW BUILDING GRADING
8	8/27/21	FULL PLAN SET

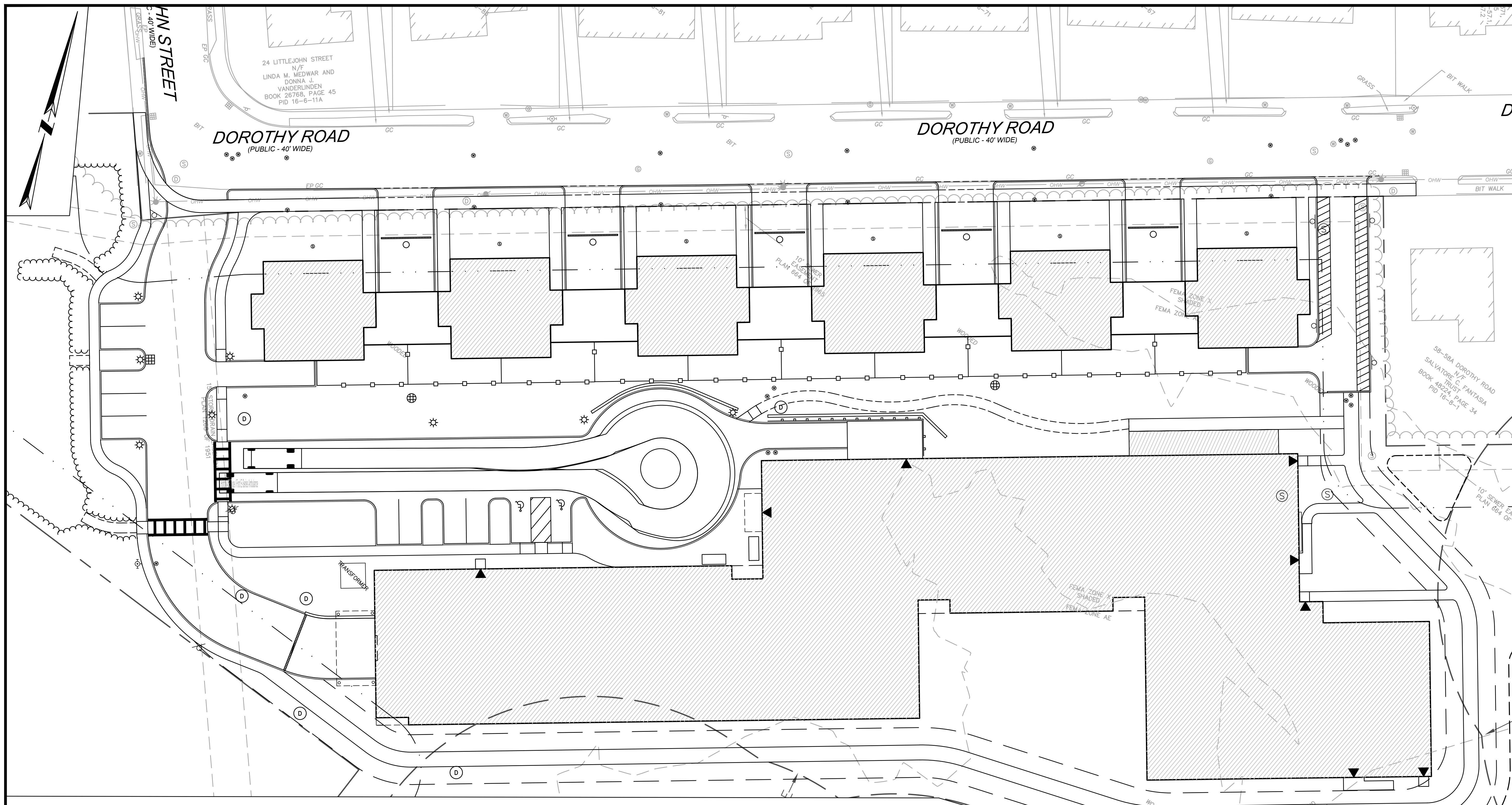
PREPARED FOR:
ARLINGTON LAND REALTY, LLC
84 SHERMAN STREET, 2ND FLOOR
CAMBRIDGE, MA 02140

BSC GROUP
803 Summer Street
Boston, Massachusetts
02127
617 896 4300

© 2021 BSC Group, Inc.

SCALE: 1" = 20'





PROFESSIONAL ENGINEER

THORNDIKE PLACE

DOROTHY ROAD
IN
ARLINGTON
MASSACHUSETTS
(MIDDLESEX COUNTY)

**AMBULANCE
TURNING EXHIBIT**

JANUARY 12, 2021

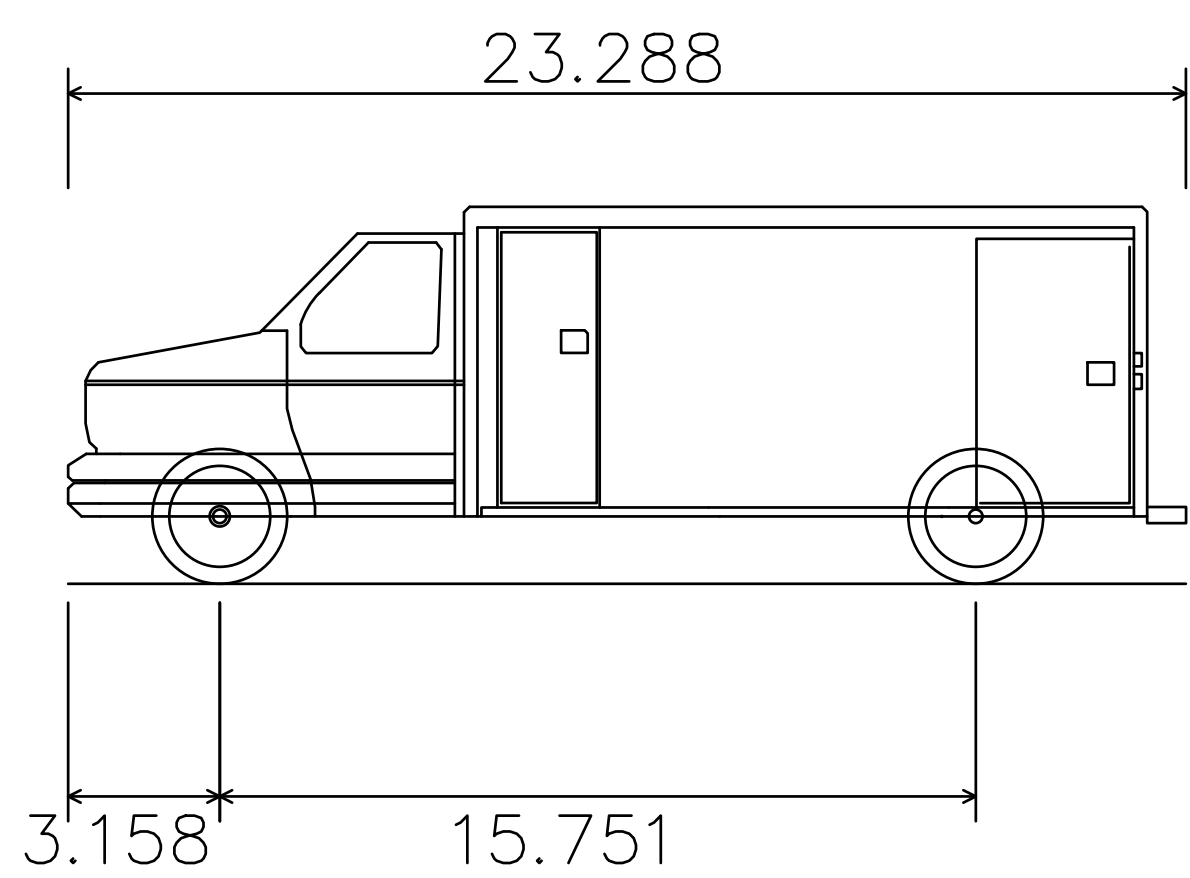
REVISIONS:

NO.	DATE	DESC.
1	9/18/20	NEW BUILDING FOOTPRINT
2	10/22/20	WETLAND DELINEATION
3	11/03/20	REVISED BUILDING
4	3/11/21	LAYOUT REVISIONS
5	5/10/21	NEW BUILDING FOOTPRINT
6	6/3/21	NEW BUILDING GRADING
8	8/27/21	FULL PLAN SET

PREPARED FOR:
ARLINGTON LAND REALTY, LLC
84 SHERMAN STREET, 2ND FLOOR
CAMBRIDGE, MA 02140

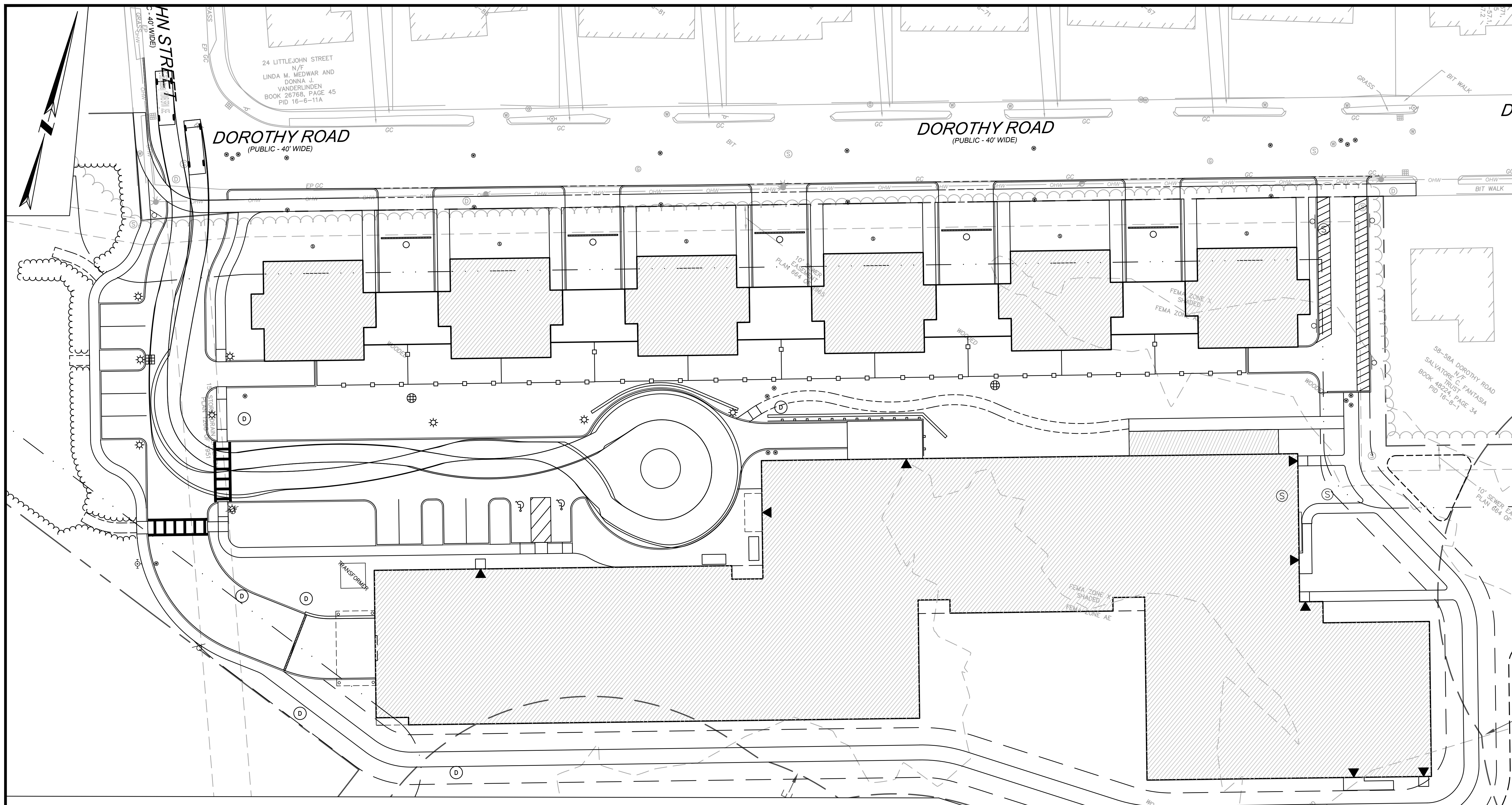
BSC GROUP
803 Summer Street
Boston, Massachusetts
02127
617 896 4300

© 2021 BSC Group, Inc.
SCALE: 1" = 20'
0 10 20 40 FEET
FILE: \Civil\Drawings\2340700-LM
DWG.: ATRN-AMBU SHEET SK-03
JOB. NO: 23407.00



Horton 453 Type I Ford E-Series Ambulance
Overall Length 23.288ft
Overall Width 8.021ft
Overall Body Height 7.853ft
Min Body Ground Clearance 1.265ft
Track Width 8.021ft
Lock-to-lock time 5.00s
Curb to Curb Turning Radius 27.400ft

**ISSUED FOR PERMITTING
NOT FOR CONSTRUCTION**



PROFESSIONAL ENGINEER

THORNDIKE PLACE

DOROTHY ROAD
IN
ARLINGTON
MASSACHUSETTS
(MIDDLESEX COUNTY)

**SENIOR SHUTTLE
TURNING EXHIBIT**

JANUARY 12, 2021

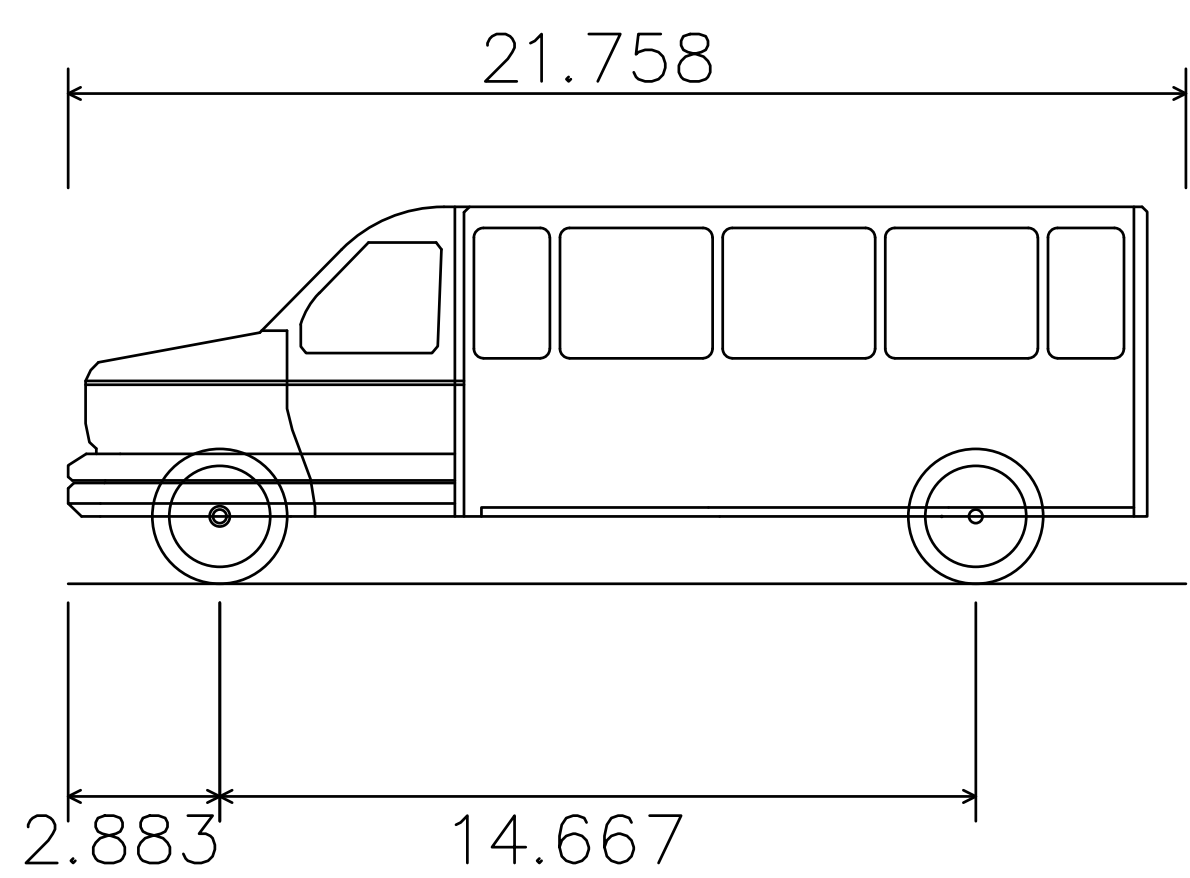
REVISIONS:

NO.	DATE	DESC.
1	9/18/20	NEW BUILDING FOOTPRINT
2	10/22/20	WETLAND DELINEATION
3	11/03/20	REVISED BUILDING
4	3/11/21	LAYOUT REVISIONS
5	5/10/21	NEW BUILDING FOOTPRINT
6	6/3/21	NEW BUILDING GRADING
8	8/27/21	FULL PLAN SET

PREPARED FOR:
ARLINGTON LAND REALTY, LLC
84 SHERMAN STREET, 2ND FLOOR
CAMBRIDGE, MA 02140

BSC GROUP
803 Summer Street
Boston, Massachusetts
02127
617 896 4300

© 2021 BSC Group, Inc.
SCALE: 1" = 20'
0 10 20 40 FEET
FILE: \Civil\Drawings\2340700-LM
DWG.: ATRN-SU30 SHEET SK-04
JOB. NO: 23407.00



Senior Shuttle Bus
Overall Length 21.758ft
Overall Width 6.617ft
Overall Body Height 6.367ft
Min Body Ground Clearance 0.825ft
Track Width 6.617ft
Lock-to-lock time 4.00s
Curb to Curb Turning Radius 30.525ft

**ISSUED FOR PERMITTING
NOT FOR CONSTRUCTION**