

TOWN OF ARLINGTON

730 Massachusetts Avenue

Arlington, MA 02476



Roadway Rehabilitation Various Locations

Invitation for Bids (IFB)

#24-34

PROJECT MANUAL

August 1, 2024

**SECTION 00 01 00
TABLE OF CONTENTS**

<u>DIVISION 00: BIDDING AND CONTRACT REQUIREMENTS</u>	<u>Section</u>
Invitation to Bid	00 10 00
Instructions to Bidders	00 20 00
Form for General Bid	00 41 00
Town of Arlington Standard Contract	00 52 00
Standard General Conditions of the Construction Contract	00 70 00
Supplementary Conditions	00 80 00
State Statutes and Regulations (Massachusetts)	00 83 00
Attachment A – Prevailing Wage Rates	00 83 00
Attachment B – Excerpts from MGL c. 30, 82 & 149	00 83 00
Attachment C – Not Used	00 83 00
Attachment D – Change Orders	00 83 00
Title I, Article 16, Town of Arlington By-laws	00 84 00
Appendix A – MassDOT Price Adjustment Clauses	00 85 00

TECHNICAL SPECIFICATIONS

END OF TABLE OF CONTENTS

**SECTION 00 10 00
INVITATION TO BID**

Sealed bids for:

**Roadway Rehabilitation/Various Locations
IFB #24-34**

(hereinafter the "Project"), in accordance with the bid and contract documents prepared by:

Town of Arlington Department of Public Works/Engineering Division,

will be received by the TOWN OF ARLINGTON acting through its Town Manager, hereinafter the "Town", at the Office of the Town Manager/Purchasing Department, Robbins Memorial Town Hall Annex – 2nd Floor, 730 Massachusetts Avenue, Arlington, MA 02476, no later than the time and date specified below, at which time and place they will be publicly opened and read aloud. Any bid received after the time and date specified will be set aside and not considered.

Bid and contract documents will be available for download beginning **August 1, 2024, at 11:00 a.m.** from www.arlingtonma.gov/purchasing. Bidding procedures and award of the contract shall be in accordance with the applicable provisions of M.G.L. c.30, §39M, as amended, and c.149, §§44A through 44L, inclusive, as amended.

This project is funded in whole or in part by the Chapter 90 Program administered by the Massachusetts Department of Transportation (MassDOT). Bids from contractors not listed by MassDOT as prequalified to bid for the class of work and the total project value of this project, or who are not listed on a waiver contractor bid list, will be rejected.

The attention of bidders is directed to the fact that the bid documents include **Price Adjustment Clauses**, in accordance with the requirements of the Chapter 90 Program administered by MassDOT.

Questions may be addressed to the Town's Purchasing Agent in writing at mdenatale@town.arlington.ma.us until 4:00 p.m. at least seven (7) days before the date set herein for the opening of bids. A written addendum answering questions will be issued if necessary.

General Bids due: **August 15, 2024, 2:00 p.m.**

In general, the Project consists of milling and overlay and ancillary work, including curbing, sidewalks, adjacent utility structures and line painting at various locations in the Town of Arlington.

The Town will award the contract to the lowest eligible and responsible bidder. The Town Manager reserves the right to accept or reject any and all bids, wholly or in part, or to

waive minor informalities in any or all bids, if it be in the public interest so to do.

The Town intends to award the Contract to the responsive and responsible bidder offering the lowest price for Contract Period 1, based on the estimated quantities provide by the Town and the bidder's unit prices. The Town may renew the contract, at its sole discretion, for two additional contract periods. **Contract Period 1 shall begin on or about September 1, 2024, and shall end on June 30, 2025.** Contract Period 2 shall begin on July 1, 2025, and end on June 30, 2026, and Contract Period 3 shall begin on July 1, 2026, and end on December 31, 2026.

A bid deposit in an amount not less than five percent (5%) of the Bid amount, including any and all alternates, shall be submitted with each Bid. Bid deposits shall be in the form of a) cash, b) a Certified Check on, or a Treasurer's or Cashier's Check issued by, a responsible bank or trust company and payable to the Town of Arlington, or c) a bid bond in a form satisfactory to the Town, with a surety company qualified to do business in the Commonwealth of Massachusetts and conditioned upon faithful performance by the principal of the agreements contained in the Bid. Return of bid deposits will be in accordance with the provisions of the applicable General Laws.

The successful bidder will be required, within 10 days after presentation thereof, to execute a contract and furnish a Labor and Materials or Payment Bond in an amount equal to 50% of the total contract price. Such bond shall be of a surety company qualified to do business under the laws of the Commonwealth of Massachusetts.

Massachusetts Prevailing Wages, as determined by the Director of the Department of Labor Standards of the Commonwealth of Massachusetts in accordance with M.G.L. c.149, §§ 26 to 27H, inclusive, apply to this project. The wage sheets applicable to this project are included in the bid documents.

Attention of the bidders is directed to the requirements of Title I, Article 16, of the Town of Arlington's By-Laws with regard to Women Work Force Participation and Equal Employment Opportunity, all of which are incorporated into the Contract Documents by reference herein.

The Town of Arlington is exempt from sales tax, for which reason Bidders should not include sales taxes in figuring or in reference to any bid.

No bidder may withdraw his bid for a period of forty-five (45) days, excluding Saturdays, Sundays and legal holidays, after the actual date of the opening thereof.

James Feeney, Town Manager
TOWN OF ARLINGTON, MASSACHUSETTS
August 1, 2024

END OF INVITATION TO BID

SECTION 00 20 00
INSTRUCTIONS TO BIDDERS

A. PREPARATION OF BIDS

1. Sealed bids for project **#24-34 Roadway Rehabilitation - Various Locations**, Arlington, Massachusetts, will be received at the time and place as stated in the **"Invitation for Bids"** and in accordance with bid documents prepared by the **Town of Arlington Department of Public Works Engineering Division**.
2. Bids must be submitted on the forms included in the bid documents and signed by the bidder. All blank spaces provided on the bid forms shall be filled in with ink or typewritten. Where space is provided, sums shall be expressed in both words and numerals. In case of discrepancy between the two, the written words shall govern.
3. Each Bidder shall acknowledge any and all required alternates on the Form for General Bid by entering the dollar amount of addition or subtraction necessitated by each alternate.
4. Materials and equipment purchased for permanent installation in the project are exempt from Massachusetts Sales and Use Tax. The Town's exemption certificate number will be furnished to the selected contractor. Each bidder shall take this exemption into account in calculating his bid price.
5. No interlineations, additions, alterations, or erasures shall be made on the forms.
6. Every Bid shall be accompanied by a bid deposit in the form of a) cash, b) a certified check on, or a treasurer's or cashier's check issued by, a responsible bank or trust company payable to Town of Arlington, or c) a bid bond in a form satisfactory to the Awarding Authority, with a surety company qualified to do business in the Commonwealth of Massachusetts and satisfactory to the Awarding Authority and conditioned upon faithful performance by the principal of the agreements contained in the Bid. The amount of the bid deposit shall be five per cent (5%) of the value of the bid.
7. All bid deposits of Bidders, except those of the three lowest responsible and eligible Bidders, shall be returned within five (5) days, Saturdays, Sundays, and legal holidays excluded, after the opening of the general bids. The bid deposits of the three lowest responsible and eligible bidders shall be returned upon the execution and delivery of the Contract, or, if no award is made, upon the expiration of the time prescribed by Massachusetts General Law. If any general bidder fails to perform his agreement to execute a Contract and furnish a labor and materials or payment bond as stated in his general bid, his bid deposit shall become and be the property of the Town of Arlington.

8. The Bid Form shall be properly executed and enclosed with the Bid Deposit in an envelope sealed and plainly marked with the Bidder's name, address, and phone number and the words "**#24-34 Roadway Rehabilitation - Various Locations**" and delivered to the Office of the Town Manager/Purchasing Department located at the Robbins Memorial Town Hall Annex, Second Floor, 730 Massachusetts Avenue, Arlington, Massachusetts.
9. If the Bid is mailed, the aforementioned sealed envelope shall be enclosed in a second envelope identified with the above markings and mailed to the place of bid.
10. The Drawings, Specifications and Contract Documents will be available as stated in the "Invitation for Bids".

B. BIDDER'S REPRESENTATION

1. Each General Bidder (hereinafter called "Bidder") by making a bid (hereinafter called "Bid") represents that:
 - a. The Bidder has carefully examined and understands the Contract Documents and the Bid is made in accordance therewith.
 - b. The Bidder has visited the site and locality where the work is to be performed and has made such independent investigations as the Bidder deems necessary to identify the federal, state, and local laws, ordinances, rules, and regulations and the conditions affecting cost, progress, or performance of the work.
 - c. The Bidder will assign to this project a full-time project superintendent whose qualifications are acceptable to both Owner and Designer.
 - d. The Bid includes all of the work delineated in the Bid Set Drawings and Specifications.
2. Failure of any Bidder to thoroughly examine the Contract Documents, or to visit and examine the site, shall in no way relieve the bidder of any obligation with respect to his bid or of any responsibility assigned the Bidder under the Contract. No claim for additional compensation or extension of time will be allowed by the Owner because of lack of Contractor's full knowledge of existing conditions or difficulties attending the execution of this Contract.

C. BIDDER'S QUALIFICATIONS

1. The Town may make such investigations as it deems necessary to determine the ability of the bidder to perform the work, and the bidder shall furnish to the Town all such information and data for this purpose as the Town may request. The Town reserves the right to reject any bid if the evidence submitted by, or investigation of, such bidder fails to satisfy the Town that such bidder is properly qualified to carry out the obligations of the contract and to complete the work contemplated therein. Conditional bids will not be accepted.

2. In order to demonstrate the bidder's ability to complete the work in accordance with the bid and contract documents, each bid **must include**:
 - a. any and all citations and/or violations issued by regulatory agencies and/or judgments against bidder from a court of law,
 - b. all assessed penalties or liquidated damages, and the project in which they occurred,
 - c. any and all contract terminations,
 - d. at least three references, from similar projects completed in the past five (5) years, and

D. NON-DISCRIMINATION IN EMPLOYMENT

1. The Contract for work under this proposal will obligate contractors and subcontractors not to discriminate in employment practices. Bidders must, if requested, submit a compliance report concerning their employment practices and policies in order to maintain their eligibility to receive the award of the contract.

E. PRE-BID CONFERENCE

1. Not applicable.

F. REQUESTS FOR INTERPRETATION

1. Bidders are urged to communicate to the Designer in writing any ambiguity, inconsistency, or error which they may discover upon examination of the Contract Documents, the site, and local conditions.
2. Interpretation of the provisions of the Contract Documents will be made by the Designer upon written request of any bidder, provided that such request is received by the Designer at least seven (7) days prior to the date of the scheduled bid opening, and that the Designer considers such interpretation to be of sufficient importance.
3. Telephone calls pointing out any such errors or discrepancies will be taken by the Designer but only for the purpose of receiving the information in order that it may be properly processed and not for interpretation or clarification. Oral or telephone interpretations will not generally be made, and if made, shall be strictly informal and not legally valid or binding.
4. Interpretation, clarification, or change in the Contract Documents shall be in the form of an Addendum which will become part of the Contract Documents. Addenda will be posted electronically to the Town's website at www.arlingtonma.gov/purchasing. Failure to receive such Addenda shall in no way relieve any bidder from the execution of its provisions. All bidders are cautioned to verify the number of Addenda that have been issued and to secure any needed copies before submitting a Bid.

5. Bidders shall acknowledge each and every Addendum in the spaces provided on the Bid Form. Failure of a Bidder to do so may result in rejection of that Bidder's Bid.

G. MODIFICATION OR WITHDRAWAL OF BIDS

1. Bidders may correct, modify, or withdraw a bid by written notice received by the Town prior to the time and date established for the bid opening. Bid modifications must be clearly written and easily understandable and submitted in a sealed envelope plainly labeled "Modification No. ___." Each modification must be numbered in sequence and must reference the original Invitation for Bids.
2. No Bidder shall withdraw his Bid for a period of **sixty (60)** days, Saturdays, Sundays and legal holidays excluded, after the opening of Bids.

H. SUB-CONTRACTS

1. Work shall be performed by the General Contractor without recourse to Sub-contracts whenever possible.

I. PAYMENT BOND

1. The successful Bidder shall submit to the Awarding Authority, within 10 days of notification of contract award, a labor and materials or payment bond at least equal to 50% of the Contract Price and of a surety company licensed by the Commonwealth of Massachusetts Division of Insurance and satisfactory to the Awarding Authority, provided further, that if there is more than one surety company, the surety companies shall be jointly and severally liable. The premium on the bond(s) shall be included in the Base Bid.

J. TIME FOR CONSTRUCTION / PROJECT SCHEDULE

1. The Contractor shall commence work under this Contract upon issuance of a written Notice to Proceed.
2. Time is of the essence. Work shall begin at the site and continue, without interruption and with all practical dispatch and regularity, in order to reach substantial completion within 90 calendar days after issuance of the Notice to Proceed.
3. If the Contractor shall fail to achieve the substantial completion date, the Contractor shall be required to pay the Awarding Authority, not as penalty but as liquidated damages, the sum of **\$100** per calendar day for each day extending beyond the date of substantial completion.

K. BUILDING PERMIT

1. A building permit is not required for this project.
2. The General Bidder is responsible for any other permits, fees, inspections, etc., as may be required by State and local authorities.

L. GENERAL BID LAWS

1. Commonwealth of Massachusetts General Bid Laws Section 149, Sections 44A through 44J inclusive, and Chapter 30, Section 39M, are incorporated herein by reference. Any inconsistency between the Invitation for Bids, Instructions to Bidders, Bid Forms, Conditions of the Contract, and any other Contract Documents and these statutes, or any other applicable statutes, by-laws, or regulations existing as of the date on which the bids are received, shall not be grounds for invalidating the bidding procedures, but where required by law, such statute, by-law, or regulation shall be deemed to govern.

M. PREVAILING WAGES

1. Massachusetts Prevailing Wages, as determined by the Director of the Department of Labor Standards of the Commonwealth of Massachusetts in accordance with M.G.L. c.149, §§ 26 to 27H, inclusive, apply to this project. The wage sheets applicable to this project are included in the bid documents.

N. AWARD OF CONTRACT

1. The Contract will be awarded to the lowest responsible and eligible bidder in accordance with Chapter 149, Sections 44A through 44J, of the Massachusetts General Laws.
2. The Awarding Authority reserves the right to accept or reject any and all bids, wholly or in part, or to waive minor informalities in any or all bids, if it be in the public interest so to do.
3. The Awarding Authority reserves the right to reject any bid if it determines that such bid does not represent the bid of a person or firm competent to perform the work as specified, or if less than three bids are received, or if bid prices are not acceptable without further competition.
4. The Awarding Authority may consider informal and may reject any bid which is not prepared and submitted in accordance with all requirements of the bid documents, or which contains erasures, alterations, additions, errors or irregularities of any kind, or which contains proposed prices for any class or item of work which are, in the judgment of the Awarding Authority, substantially less or more than the actual cost to complete the work; provided, however, that the Awarding Authority reserves the right to waive any and all informalities as to form. Matters as to substance shall not be waived.
5. Subject to the provisions of applicable laws, if the bid forms, specifications, or any other bid documents require submission of special information or data to accompany bids for

any trade, if applicable, and any bidder neglects to furnish such information or data with its bid, the Awarding Authority may reject the bid of such bidder as incomplete; provided, however, that the Awarding Authority reserves the right to deem any such omission as an informality for which such bid will not be rejected, and to subsequently receive such information or data prior to award of the contract.

O. COMPLEMENTARY DOCUMENTS

1. The INVITATION FOR BIDS, included herewith, is complementary to this document and shall be carefully reviewed by bidders for specific instructions which are not repeated herein.

P. FOREIGN CORPORATIONS

1. The attention of bidders is called to Massachusetts General Laws Chapter 30, Section 39L, as amended by The Acts of 1967, Chapter 3, under which the Awarding Authority may not enter into a contract with a foreign corporation (a corporation not organized under the Laws of Massachusetts), nor approve a foreign corporation as a contractor, unless the foreign corporation has filed with the Awarding Authority a certificate by the State Secretary stating that the foreign corporation has complied with General Laws, Chapter 181, Sections 3 and 5, and stating the date of such compliance.

Q. PUBLIC SAFETY AND CONVENIENCE

1. The attention of bidders is directed to the fact that the work on this project is to be performed on TOWN properties which are utilized by pedestrians. The selected contractor shall furnish, install, maintain, and move all warning devices, barricades, signs, flares, bridging materials, special apparel, and other safety measures and controls necessary for the protection of motorists, pedestrians, and her/his own personnel. When, in the judgment of the Town of Arlington, construction operations constitute a hazard to traffic in the area, the contractor may be required to suspend operations during certain hours.

R. OSHA TRAINING

1. Massachusetts law requires that all employees who work on Massachusetts public works construction sites have no less than 10 hours of OSHA approved safety and health training. See M.G.L. c.30 §39M(c) M.G.L. c.30 §39S(a)(1), M.G.L. c.149 §44E(2), and M.G.L. c.149 §44F(2).

S. MASSACHUSETTS SALES AND USE TAX

1. Materials purchased for permanent installation in the work will be exempt from the Massachusetts Sales and Use tax. Each bidder shall consider this exemption in calculating his bid for the work.

END OF INSTRUCTIONS TO BIDDERS

**SECTION 00 41 00
FORM FOR GENERAL BID**

To the Awarding Authority:

The Undersigned proposes to furnish all labor and materials required for:

IFB # 24-34 Roadway Rehabilitation – Various Locations

in accordance with the accompanying plans and specifications for the lump sum contract price specified below, subject to additions and deductions according to the terms of the specifications.

B. This bid includes addenda numbered _____, _____, _____, _____.

C. The undersigned Bidder proposes to perform the work described in the bid and contract documents, and based on the estimated quantities provided by the Town herein, for:

Total Year 1 price:

_____ Dollars and _____ Cents
(in words)

\$ _____
(in figures)

D. The undersigned agrees that, if selected as general contractor, s/he will within ten days, Saturdays, Sundays and legal holidays excluded, after presentation thereof by the awarding authority, execute a contract in accordance with the terms of this bid and furnish a labor and materials or payment bond, of a surety company qualified to do business under the laws of the commonwealth and satisfactory to the awarding authority and in a sum not less than fifty percent (50%) of the contract price, the premiums for which are to be paid by the general contractor and are included in the contract price.

E. The undersigned hereby certifies that s/he has carefully examined the bid and contract documents, established a thorough understanding of existing conditions, and has obtained sufficient information for executing the work of her/his bid and the work of all related trades.

F. The undersigned further certifies that s/he is able to furnish labor that can work in harmony with all other elements of labor employed or to be employed on the work and that s/he will comply fully with all laws and regulations applicable to awards made subject to Massachusetts General Laws, Chapter 30, Section 39M, and all other applicable laws.

G. The undersigned further certifies that all employees to be employed at the worksite will have successfully completed a course in construction safety and health approved by the United States Occupational Safety and Health Administration (OSHA) that is at least 10 hours in duration at the time the employee begins work and that the undersigned shall furnish documentation of successful completion of said course with the first certified payroll report for each employee.

BIDDER'S NAME: _____

H. The undersigned further certifies under the penalties of perjury that this bid is in all respects bona fide, fair, and made without collusion or fraud with any other person. As used in this subsection the word "person" shall mean any natural person, joint venture, partnership, corporation or other business or legal entity.

I. The undersigned further certifies under the penalties of perjury that said undersigned is not presently debarred from doing public construction work in the commonwealth under the provisions of Massachusetts General Laws, Chapter 29, Section 29F, or any other applicable debarment provisions of any other chapter of the General Laws or any rule or regulation promulgated thereunder.

Date

Signature of Authorized Individual

Company Name of Bidder

Name/Title of Authorized Individual

Business Street Address

Business Phone/FAX

City, State, Zip

Business Email

CONTRACT # 24-34

July 1, 2024 to June 30, 2025

ROADWAY REHABILITATION BID PRICE FORMS

Item #	Description	Est Qty	x	Bid Price	/	Unit	=	Total
102.51	Individual Tree Protection	10	x	\$	-	/ EA	=	\$ -
120.1	Unclassified Excavation	400	x	\$	-	/ CY	=	\$ -
121	Class A Rock Excavation	10	x	\$	-	/ CY	=	\$ -
129	Bituminous Excavation by Cold Planer	4,000	x	\$	-	/ SY	=	\$ -
129.01	Bituminous Excavation by Cold Planer (9AM to 3PM)	4,000	x	\$	-	/ SY	=	\$ -
129.02	Bituminous Excavation by Cold Planer (4" Depth)	4,000	x	\$	-	/ SY	=	\$ -
129.1	Bituminous Excavation by Cold Planer (Keyways)	300	x	\$	-	/ SY	=	\$ -
141.1	Test Pit for Exploration	5	x	\$	-	/ CY	=	\$ -
151	Gravel Borrow	400	x	\$	-	/ CY	=	\$ -
153	Controlled Density Fill	10	x	\$	-	/ CY	=	\$ -
170	Fine Grading and Compacting	3000	x	\$	-	/ SY	=	\$ -
201	Catch Basin	1	x	\$	-	/ EA	=	\$ -
202	Manhole	1	x	\$	-	/ EA	=	\$ -
204	Gutter Inlet	1	x	\$	-	/ EA	=	\$ -
205	Leaching Basin	1	x	\$	-	/ EA	=	\$ -
220.1.1	Drainage Structure Adjusted (> 6" Vertical)	6	x	\$	-	/ EA	=	\$ -
220.1.2	Drainage Structure Adjusted (< 6" Vertical)	40	x	\$	-	/ EA	=	\$ -
220.2	Drainage Structure Rebuilt	20	x	\$	-	/ VFt	=	\$ -
220.3	Drainage Structure Change in Type	1	x	\$	-	/ EA	=	\$ -

Roadway Management/Various Locations - Year #1

Item #	Description	Est Qty	x	Bid Price	/	Unit	=	Total
220.5	Drainage Structure Remodeled	1	x	\$	-	/ EA	=	\$ -
220.7.1	Sanitary Structure Adjusted (> 6" Vertical)	4	x	\$	-	/ EA	=	\$ -
220.7.2	Sanitary Structure Adjusted (< 6" Vertical)	20	x	\$	-	/ EA	=	\$ -
220.8	Sanitary Structure Remodeled	1	x	\$	-	/ EA	=	\$ -
221	Frame and Cover	8	x	\$	-	/ EA	=	\$ -
222	Frame and Grate	8	x	\$	-	/ EA	=	\$ -
222.1	Frame and Grate MHD Cascade Type	5	x	\$	-	/ EA	=	\$ -
223	Frame and Grate (or Cover) Removed and Reset	25	x	\$	-	/ EA	=	\$ -
238.12	12" Ductile Iron Pipe	20	x	\$	-	/ LF	=	\$ -
244.12	12" Reinforced Concrete Pipe Class V	20	x	\$	-	/ LF	=	\$ -
252.12	12" Corrugated Plastic Pipe	20	x	\$	-	/ LF	=	\$ -
258	Stone for Pipe Ends	7	x	\$	-	/ SY	=	\$ -
269.06	6" Slot Perforated Corrugated Plastic Pipe (Subdrain)	150	x	\$	-	/ LF	=	\$ -
269.08	8" Slot Perforated Corrugated Plastic Pipe (Subdrain)	50	x	\$	-	/ LF	=	\$ -
357	Gate Box	20	x	\$	-	/ EA	=	\$ -
358.1	Gate Box Adjusted (Greater than 6" Vertical)	20	x	\$	-	/ EA	=	\$ -
358.2	Gate Box Adjusted (Less than 6" Vertical)	30	x	\$	-	/ EA	=	\$ -
381	Service Box	30	x	\$	-	/ EA	=	\$ -
381.3	Service Box Adjusted	60	x	\$	-	/ EA	=	\$ -
50	Dense Graded Crushed Stone for Sub-Base	13	x	\$	-	/ CY	=	\$ -
402.12	Dense Graded Crushed Stone for Shoulders	13	x	\$	-	/ CY	=	\$ -
403	Reclaimed Base Course and/or Sub-Base	0	x	\$	-	/ SY	=	\$ -
403.1	Crushed Stone for Blending	18	x	\$	-	/ Ton	=	\$ -
420	Class I Bituminous Concrete Base Course Type I-1	0	x	\$	-	/ Ton	=	\$ -

Roadway Management/Various Locations - Year #1

Item #	Description	Est Qty	x	Bid Price	/	Unit	=	Total
440	Calcium Chloride for Roadway Dust Control	27	x	\$ -	/	Lb	=	\$ -
443	Water for Roadway Dust Control (per 1000 Gallons)	1	x	\$ -	/	Mgal	=	\$ -
460	Class I Bituminous Concrete Pavement Type I-1	6000	x	\$ -	/	Ton	=	\$ -
464	Bitumen for Tack Coat	600	x	\$ -	/	Gal	=	\$ -
464.5	Hot Poured Rubberized Asphalt Crack Filler (Polyester)	10	x	\$ -	/	LF	=	\$ -
472	Patching	150	x	\$ -	/	Ton	=	\$ -
472.4	Grind and Inlay	10	x	\$ -	/	SY	=	\$ -
483.5	Sawcutting Pavement and Concrete	1800	x	\$ -	/	LF	=	\$ -
504	Granite Curb Type VA-4 - Straight	1800	x	\$ -	/	LF	=	\$ -
504.1	Granite Curb Type VA-4 - Curved	300	x	\$ -	/	LF	=	\$ -
506	Granite Curb Type VB - Straight	25	x	\$ -	/	LF	=	\$ -
509	Granite Transition Curb for Wheelchair Ramp - Straight	200	x	\$ -	/	LF	=	\$ -
509.1	Granite Transition Curb for Wheelchair Ramp - Curved	200	x	\$ -	/	LF	=	\$ -
511.1	Granite Edging Type SB - Straight	25	x	\$ -	/	LF	=	\$ -
516	Granite Curb Corner - Type A	80	x	\$ -	/	EA	=	\$ -
570.2	Bituminous Concrete Curb - Type 2	1000	x	\$ -	/	LF	=	\$ -
580	Curb Remove and Reset	2000	x	\$ -	/	LF	=	\$ -
582	Curb Corner Remove and Reset	6	x	\$ -	/	EA	=	\$ -
594	Curb Stone/Cobble Edges Removed & Discarded	500	x	\$ -	/	LF	=	\$ -
670	Fence Remove and Reset	0	x	\$ -	/	LF	=	\$ -
697	Sedimentation Fence	10	x	\$ -	/	LF	=	\$ -
701	Concrete Sidewalk	1100	x	\$ -	/	SY	=	\$ -
701.1	Concrete Driveway	100	x	\$ -	/	SY	=	\$ -
701.2	Concrete Curb Ramp	200	x	\$ -	/	SY	=	\$ -

Roadway Management/Various Locations - Year #1

Item #	Description	Est Qty	x	Bid Price	/	Unit	=	Total
702	Hot Mix Asphalt Walk Surface	36	x	\$ -	/	Ton	=	\$ -
702.1	Excavation and Disposal of Existing Sidewalk	2500	x	\$ -	/	SY	=	\$ -
703	Hot Mix Asphalt Driveways (Handwork)	75	x	\$ -	/	Ton	=	\$ -
715	Rural Mailbox Remove and Reset	5	x	\$ -	/	EA	=	\$ -
751	Loam Borrow	200	x	\$ -	/	CY	=	\$ -
765	Seeding	700	x	\$ -	/	SY	=	\$ -
811.36	Electric/Telecom/Other Manhole Adjusted (Less than 6")	4	x	\$ -	/	EA	=	\$ -
854.014	Temporary Pavement Markings - 4" Painted	1200	x	\$ -	/	LF	=	\$ -
854.034	Temporary Pavement Markings - 4" Removable Tape	1000	x	\$ -	/	LF	=	\$ -
861.04	Reflectorized White Line - 4" Painted	2000	x	\$ -	/	LF	=	\$ -
861.04	Reflectorized Yellow Line - 4" Painted	2000	x	\$ -	/	LF	=	\$ -
868.04	Reflectorized White Line - 4" EPOXY	2000	x	\$ -	/	LF	=	\$ -
868.12	Reflectorized White Line - 12" EPOXY	1200	x	\$ -	/	LF	=	\$ -
869.04	Reflectorized Yellow Line - 4" EPOXY	2000	x	\$ -	/	LF	=	\$ -
874.1	Sign Removed and Reset	12	x	\$ -	/	EA	=	\$ -

BID TOTAL, YEAR #1

\$	\$	-
----	----	---

CONTRACT # 24-34

July 1, 2025 to June 30, 2026

ROADWAY REHABILITATION BID PRICE FORMS

Item #	Description	Est Qty	x	Bid Price	/	Unit	=	Total
102.51	Individual Tree Protection	10	x	\$	-	/ EA	=	\$ -
120.1	Unclassified Excavation	400	x	\$	-	/ CY	=	\$ -
121	Class A Rock Excavation	10	x	\$	-	/ CY	=	\$ -
129	Bituminous Excavation by Cold Planer	4,000	x	\$	-	/ SY	=	\$ -
129.01	Bituminous Excavation by Cold Planer (9AM to 3PM)	4,000	x	\$	-	/ SY	=	\$ -
129.02	Bituminous Excavation by Cold Planer (4" Depth)	4,000	x	\$	-	/ SY	=	\$ -
129.1	Bituminous Excavation by Cold Planer (Keyways)	300	x	\$	-	/ SY	=	\$ -
141.1	Test Pit for Exploration	5	x	\$	-	/ CY	=	\$ -
151	Gravel Borrow	400	x	\$	-	/ CY	=	\$ -
153	Controlled Density Fill	10	x	\$	-	/ CY	=	\$ -
170	Fine Grading and Compacting	3000	x	\$	-	/ SY	=	\$ -
201	Catch Basin	1	x	\$	-	/ EA	=	\$ -
202	Manhole	1	x	\$	-	/ EA	=	\$ -
204	Gutter Inlet	1	x	\$	-	/ EA	=	\$ -
205	Leaching Basin	1	x	\$	-	/ EA	=	\$ -
220.1.1	Drainage Structure Adjusted (> 6" Vertical)	6	x	\$	-	/ EA	=	\$ -
220.1.2	Drainage Structure Adjusted (< 6" Vertical)	40	x	\$	-	/ EA	=	\$ -
220.2	Drainage Structure Rebuilt	20	x	\$	-	/ VFt	=	\$ -
220.3	Drainage Structure Change in Type	1	x	\$	-	/ EA	=	\$ -

Roadway Management/Various Locations - Year #2

Item #	Description	Est Qty	x		Bid Price	/	Unit	=	Total
220.5	Drainage Structure Remodeled	1	x	\$	-	/	EA	=	\$ -
220.7.1	Sanitary Structure Adjusted (> 6" Vertical)	4	x	\$	-	/	EA	=	\$ -
220.7.2	Sanitary Structure Adjusted (< 6" Vertical)	20	x	\$	-	/	EA	=	\$ -
220.8	Sanitary Structure Remodeled	1	x	\$	-	/	EA	=	\$ -
221	Frame and Cover	8	x	\$	-	/	EA	=	\$ -
222	Frame and Grate	8	x	\$	-	/	EA	=	\$ -
222.1	Frame and Grate MHD Cascade Type	5	x	\$	-	/	EA	=	\$ -
223	Frame and Grate (or Cover) Removed and Reset	25	x	\$	-	/	EA	=	\$ -
238.12	12" Ductile Iron Pipe	20	x	\$	-	/	LF	=	\$ -
244.12	12" Reinforced Concrete Pipe Class V	20	x	\$	-	/	LF	=	\$ -
252.12	12" Corrugated Plastic Pipe	20	x	\$	-	/	LF	=	\$ -
258	Stone for Pipe Ends	7	x	\$	-	/	SY	=	\$ -
269.06	6" Slot Perforated Corrugated Plastic Pipe (Subdrain)	150	x	\$	-	/	LF	=	\$ -
269.08	8" Slot Perforated Corrugated Plastic Pipe (Subdrain)	50	x	\$	-	/	LF	=	\$ -
357	Gate Box	20	x	\$	-	/	EA	=	\$ -
358.1	Gate Box Adjusted (Greater than 6" Vertical)	20	x	\$	-	/	EA	=	\$ -
358.2	Gate Box Adjusted (Less than 6" Vertical)	30	x	\$	-	/	EA	=	\$ -
381	Service Box	30	x	\$	-	/	EA	=	\$ -
381.3	Service Box Adjusted	60	x	\$	-	/	EA	=	\$ -
50	Dense Graded Crushed Stone for Sub-Base	13	x	\$	-	/	CY	=	\$ -
402.12	Dense Graded Crushed Stone for Shoulders	13	x	\$	-	/	CY	=	\$ -
403	Reclaimed Base Course and/or Sub-Base	0	x	\$	-	/	SY	=	\$ -
403.1	Crushed Stone for Blending	18	x	\$	-	/	Ton	=	\$ -
420	Class I Bituminous Concrete Base Course Type I-1	0	x	\$	-	/	Ton	=	\$ -

Roadway Management/Various Locations - Year #2

Item #	Description	Est Qty	x	Bid Price	/	Unit	=	Total
440	Calcium Chloride for Roadway Dust Control	27	x	\$	-	Lb	=	\$ -
443	Water for Roadway Dust Control (per 1000 Gallons)	1	x	\$	-	Mgal	=	\$ -
460	Class I Bituminous Concrete Pavement Type I-1	6000	x	\$	-	Ton	=	\$ -
464	Bitumen for Tack Coat	600	x	\$	-	Gal	=	\$ -
464.5	Hot Poured Rubberized Asphalt Crack Filler (Polyester)	10	x	\$	-	LF	=	\$ -
472	Patching	150	x	\$	-	Ton	=	\$ -
472.4	Grind and Inlay	10	x	\$	-	SY	=	\$ -
483.5	Sawcutting Pavement and Concrete	1800	x	\$	-	LF	=	\$ -
504	Granite Curb Type VA-4 - Straight	1800	x	\$	-	LF	=	\$ -
504.1	Granite Curb Type VA-4 - Curved	300	x	\$	-	LF	=	\$ -
506	Granite Curb Type VB - Straight	25	x	\$	-	LF	=	\$ -
509	Granite Transition Curb for Wheelchair Ramp - Straight	200	x	\$	-	LF	=	\$ -
509.1	Granite Transition Curb for Wheelchair Ramp - Curved	200	x	\$	-	LF	=	\$ -
511.1	Granite Edging Type SB - Straight	25	x	\$	-	LF	=	\$ -
516	Granite Curb Corner - Type A	80	x	\$	-	EA	=	\$ -
570.2	Bituminous Concrete Curb - Type 2	1000	x	\$	-	LF	=	\$ -
580	Curb Remove and Reset	2000	x	\$	-	LF	=	\$ -
582	Curb Corner Remove and Reset	6	x	\$	-	EA	=	\$ -
594	Curb Stone/Cobble Edges Removed & Discarded	500	x	\$	-	LF	=	\$ -
670	Fence Remove and Reset	0	x	\$	-	LF	=	\$ -
697	Sedimentation Fence	10	x	\$	-	LF	=	\$ -
701	Concrete Sidewalk	1100	x	\$	-	SY	=	\$ -
701.1	Concrete Driveway	100	x	\$	-	SY	=	\$ -
701.2	Concrete Curb Ramp	200	x	\$	-	SY	=	\$ -

Roadway Management/Various Locations - Year #2

Item #	Description	Est Qty	x	Bid Price	/	Unit	=	Total
702	Hot Mix Asphalt Walk Surface	36	x	\$ -	/	Ton	=	\$ -
702.1	Excavation and Disposal of Existing Sidewalk	2500	x	\$ -	/	SY	=	\$ -
703	Hot Mix Asphalt Driveways (Handwork)	75	x	\$ -	/	Ton	=	\$ -
715	Rural Mailbox Remove and Reset	5	x	\$ -	/	EA	=	\$ -
751	Loam Borrow	200	x	\$ -	/	CY	=	\$ -
765	Seeding	700	x	\$ -	/	SY	=	\$ -
811.36	Electric/Telecom/Other Manhole Adjusted (Less than 6")	4	x	\$ -	/	EA	=	\$ -
854.014	Temporary Pavement Markings - 4" Painted	1200	x	\$ -	/	LF	=	\$ -
854.034	Temporary Pavement Markings - 4" Removable Tape	1000	x	\$ -	/	LF	=	\$ -
861.04	Reflectorized White Line - 4" Painted	2000	x	\$ -	/	LF	=	\$ -
861.04	Reflectorized Yellow Line - 4" Painted	2000	x	\$ -	/	LF	=	\$ -
868.04	Reflectorized White Line - 4" EPOXY	2000	x	\$ -	/	LF	=	\$ -
868.12	Reflectorized White Line - 12" EPOXY	1200	x	\$ -	/	LF	=	\$ -
869.04	Reflectorized Yellow Line - 4" EPOXY	2000	x	\$ -	/	LF	=	\$ -
874.1	Sign Removed and Reset	12	x	\$ -	/	EA	=	\$ -

BID TOTAL, YEAR #2

\$	\$	-
----	----	---

CONTRACT # 24-34

July 1, 2026 to December 31, 2026

ROADWAY REHABILITATION BID PRICE FORMS

Item #	Description	Est Qty	x	Bid Price	/	Unit	=	Total
102.51	Individual Tree Protection	10	x	\$	-	/ EA	=	\$ -
120.1	Unclassified Excavation	400	x	\$	-	/ CY	=	\$ -
121	Class A Rock Excavation	10	x	\$	-	/ CY	=	\$ -
129	Bituminous Excavation by Cold Planer	4,000	x	\$	-	/ SY	=	\$ -
129.01	Bituminous Excavation by Cold Planer (9AM to 3PM)	4,000	x	\$	-	/ SY	=	\$ -
129.02	Bituminous Excavation by Cold Planer (4" Depth)	4,000	x	\$	-	/ SY	=	\$ -
129.1	Bituminous Excavation by Cold Planer (Keyways)	300	x	\$	-	/ SY	=	\$ -
141.1	Test Pit for Exploration	5	x	\$	-	/ CY	=	\$ -
151	Gravel Borrow	400	x	\$	-	/ CY	=	\$ -
153	Controlled Density Fill	10	x	\$	-	/ CY	=	\$ -
170	Fine Grading and Compacting	3000	x	\$	-	/ SY	=	\$ -
201	Catch Basin	1	x	\$	-	/ EA	=	\$ -
202	Manhole	1	x	\$	-	/ EA	=	\$ -
204	Gutter Inlet	1	x	\$	-	/ EA	=	\$ -
205	Leaching Basin	1	x	\$	-	/ EA	=	\$ -
220.1.1	Drainage Structure Adjusted (> 6" Vertical)	6	x	\$	-	/ EA	=	\$ -
220.1.2	Drainage Structure Adjusted (< 6" Vertical)	40	x	\$	-	/ EA	=	\$ -
220.2	Drainage Structure Rebuilt	20	x	\$	-	/ VFt	=	\$ -
220.3	Drainage Structure Change in Type	1	x	\$	-	/ EA	=	\$ -

Roadway Management/Various Locations - Year #3

Item #	Description	Est Qty	x	Bid Price	/	Unit	=	Total
220.5	Drainage Structure Remodeled	1	x	\$	-	/ EA	=	\$ -
220.7.1	Sanitary Structure Adjusted (> 6" Vertical)	4	x	\$	-	/ EA	=	\$ -
220.7.2	Sanitary Structure Adjusted (< 6" Vertical)	20	x	\$	-	/ EA	=	\$ -
220.8	Sanitary Structure Remodeled	1	x	\$	-	/ EA	=	\$ -
221	Frame and Cover	8	x	\$	-	/ EA	=	\$ -
222	Frame and Grate	8	x	\$	-	/ EA	=	\$ -
222.1	Frame and Grate MHD Cascade Type	5	x	\$	-	/ EA	=	\$ -
223	Frame and Grate (or Cover) Removed and Reset	25	x	\$	-	/ EA	=	\$ -
238.12	12" Ductile Iron Pipe	20	x	\$	-	/ LF	=	\$ -
244.12	12" Reinforced Concrete Pipe Class V	20	x	\$	-	/ LF	=	\$ -
252.12	12" Corrugated Plastic Pipe	20	x	\$	-	/ LF	=	\$ -
258	Stone for Pipe Ends	7	x	\$	-	/ SY	=	\$ -
269.06	6" Slot Perforated Corrugated Plastic Pipe (Subdrain)	150	x	\$	-	/ LF	=	\$ -
269.08	8" Slot Perforated Corrugated Plastic Pipe (Subdrain)	50	x	\$	-	/ LF	=	\$ -
357	Gate Box	20	x	\$	-	/ EA	=	\$ -
358.1	Gate Box Adjusted (Greater than 6" Vertical)	20	x	\$	-	/ EA	=	\$ -
358.2	Gate Box Adjusted (Less than 6" Vertical)	30	x	\$	-	/ EA	=	\$ -
381	Service Box	30	x	\$	-	/ EA	=	\$ -
381.3	Service Box Adjusted	60	x	\$	-	/ EA	=	\$ -
50	Dense Graded Crushed Stone for Sub-Base	13	x	\$	-	/ CY	=	\$ -
402.12	Dense Graded Crushed Stone for Shoulders	13	x	\$	-	/ CY	=	\$ -
403	Reclaimed Base Course and/or Sub-Base	0	x	\$	-	/ SY	=	\$ -
403.1	Crushed Stone for Blending	18	x	\$	-	/ Ton	=	\$ -
420	Class I Bituminous Concrete Base Course Type I-1	0	x	\$	-	/ Ton	=	\$ -

Roadway Management/Various Locations - Year #3

Item #	Description	Est Qty	x	Bid Price	/	Unit	=	Total
440	Calcium Chloride for Roadway Dust Control	27	x	\$ -	/	Lb	=	\$ -
443	Water for Roadway Dust Control (per 1000 Gallons)	1	x	\$ -	/	Mgal	=	\$ -
460	Class I Bituminous Concrete Pavement Type I-1	6000	x	\$ -	/	Ton	=	\$ -
464	Bitumen for Tack Coat	600	x	\$ -	/	Gal	=	\$ -
464.5	Hot Poured Rubberized Asphalt Crack Filler (Polyester)	10	x	\$ -	/	LF	=	\$ -
472	Patching	150	x	\$ -	/	Ton	=	\$ -
472.4	Grind and Inlay	10	x	\$ -	/	SY	=	\$ -
483.5	Sawcutting Pavement and Concrete	1800	x	\$ -	/	LF	=	\$ -
504	Granite Curb Type VA-4 - Straight	1800	x	\$ -	/	LF	=	\$ -
504.1	Granite Curb Type VA-4 - Curved	300	x	\$ -	/	LF	=	\$ -
506	Granite Curb Type VB - Straight	25	x	\$ -	/	LF	=	\$ -
509	Granite Transition Curb for Wheelchair Ramp - Straight	200	x	\$ -	/	LF	=	\$ -
509.1	Granite Transition Curb for Wheelchair Ramp - Curved	200	x	\$ -	/	LF	=	\$ -
511.1	Granite Edging Type SB - Straight	25	x	\$ -	/	LF	=	\$ -
516	Granite Curb Corner - Type A	80	x	\$ -	/	EA	=	\$ -
570.2	Bituminous Concrete Curb - Type 2	1000	x	\$ -	/	LF	=	\$ -
580	Curb Remove and Reset	2000	x	\$ -	/	LF	=	\$ -
582	Curb Corner Remove and Reset	6	x	\$ -	/	EA	=	\$ -
594	Curb Stone/Cobble Edges Removed & Discarded	500	x	\$ -	/	LF	=	\$ -
670	Fence Remove and Reset	0	x	\$ -	/	LF	=	\$ -
697	Sedimentation Fence	10	x	\$ -	/	LF	=	\$ -
701	Concrete Sidewalk	1100	x	\$ -	/	SY	=	\$ -
701.1	Concrete Driveway	100	x	\$ -	/	SY	=	\$ -
701.2	Concrete Curb Ramp	200	x	\$ -	/	SY	=	\$ -

Roadway Management/Various Locations - Year #3

Item #	Description	Est Qty	x	Bid Price	/	Unit	=	Total
702	Hot Mix Asphalt Walk Surface	36	x	\$ -	/	Ton	=	\$ -
702.1	Excavation and Disposal of Existing Sidewalk	2500	x	\$ -	/	SY	=	\$ -
703	Hot Mix Asphalt Driveways (Handwork)	75	x	\$ -	/	Ton	=	\$ -
715	Rural Mailbox Remove and Reset	5	x	\$ -	/	EA	=	\$ -
751	Loam Borrow	200	x	\$ -	/	CY	=	\$ -
765	Seeding	700	x	\$ -	/	SY	=	\$ -
811.36	Electric/Telecom/Other Manhole Adjusted (Less than 6")	4	x	\$ -	/	EA	=	\$ -
854.014	Temporary Pavement Markings - 4" Painted	1200	x	\$ -	/	LF	=	\$ -
854.034	Temporary Pavement Markings - 4" Removable Tape	1000	x	\$ -	/	LF	=	\$ -
861.04	Reflectorized White Line - 4" Painted	2000	x	\$ -	/	LF	=	\$ -
861.04	Reflectorized Yellow Line - 4" Painted	2000	x	\$ -	/	LF	=	\$ -
868.04	Reflectorized White Line - 4" EPOXY	2000	x	\$ -	/	LF	=	\$ -
868.12	Reflectorized White Line - 12" EPOXY	1200	x	\$ -	/	LF	=	\$ -
869.04	Reflectorized Yellow Line - 4" EPOXY	2000	x	\$ -	/	LF	=	\$ -
874.1	Sign Removed and Reset	12	x	\$ -	/	EA	=	\$ -

BID TOTAL, YEAR #3

\$	\$	-
----	----	---

BIDDER'S QUALIFICATIONS AND REFERENCES FORM

Please type or print legibly. If necessary, add additional sheets for starred items. This information will be utilized by the Town of Arlington for purposes of determining bidder responsiveness and responsibility with regard to the requirements and specifications of this contract. **This form must be attached by the bidder to his completed bid form.**

1. Firm name _____

2. Number of years bidder has done business under its present name _____

*3. Has the bidder ever failed to complete a contract awarded to him?

___ YES ___ NO

If yes, where and why _____

*4. List all work the bidder has completed within the past 5 years that is comparable in scope, complexity and value to that of the work of this contract. Bidder must list a **minimum of three** such projects. **Bidder may substitute its own form for the one below, provided said form includes all information requested.**

Project Name/Location _____

Owner Name/Address _____

Contract Value _____ Date Completed _____

Type of Work _____

Contact Person _____ Telephone No. _____

Project Name/Location _____

Owner Name/Address _____

Contract Value _____ Date Completed _____

Type of Work _____

Contact Person _____ Telephone No. _____

Project Name/Location _____

Owner Name/Address _____

Contract Value _____ Date Completed _____

Type of Work _____

Contact Person _____ Telephone No. _____

Project Name/Location _____

Owner Name/Address _____

Contract Value _____ Date Completed _____

Type of Work _____

Contact Person _____ Telephone No. _____

Project Name/Location _____

Owner Name/Address _____

Contract Value _____ Date Completed _____

Type of Work _____

Contact Person _____ Telephone No. _____

Project Name/Location _____

Owner Name/Address _____

Contract Value _____ Date Completed _____

Type of Work _____

Contact Person _____ Telephone No. _____

CERTIFICATE OF NON-COLLUSION

(submit as attachment to completed bid form)

The undersigned certifies under the penalties of perjury that this bid is in all respects bona fide, fair and made without collusion or fraud with any other person. As used herein, the word "person" shall mean any natural person, joint venture, partnership, corporation, or other business or legal entity.

Name of Individual Authorized to Sign (Print or Type)

Authorized Signature

Legal Name of Business Entity (Print or Type)

THIS FORM MUST BE SUBMITTED WITH BID.

STATEMENT OF STATE TAX COMPLIANCE

Pursuant to M.G.L. c.62C, §49A, I certify under the penalties of perjury that, to the best of my knowledge and belief, I am in compliance with all laws of the Commonwealth relating to taxes, reporting of employees and contractors, and withholding and remitting child support.

Social Security Number or
Federal Identification Number

Signature of Individual or Responsible
Corporate Officer and Title

END OF FORM FOR GENERAL BID



TOWN OF ARLINGTON
STANDARD CONTRACT DOCUMENT

Contract ID:

Contractor Legal Name (and d/b/a):	Town Department: Department Head:
Contractor Address:	Town Department Mailing Address:
Contractor Vendor ID (if applicable):	Billing Address (if different):

Account	Fund	Department ID	Project	Not to Exceed Amount:	Actual Amount
				\$	\$

Scope of work and contract details

Contract Start Date	Contract End Date	Option to Renew (Y/N)	Renewal Years

<p style="text-align: center;">Town Comptroller</p> <p>APPROVED AS TO THE AVAILABILITY OF APPROPRIATION PURSUANT TO ARTICLE 12 OF THE GENERAL CONDITIONS</p>	<p style="text-align: center;">CONTRACTOR</p> <p>AGREES TO PROVIDE THE GOODS OR SERVICES IN ACCORDANCE WITH THE CONTRACT</p>	<p style="text-align: center;">Awarding Authority/Official (ATTACH LETTER OF AWARD)</p>
<p>\$</p>	<p>Title:</p>	
<p>Signature:</p>	<p>Signature:</p>	<p>Signature:</p>
<p>Date:</p>	<p>Date:</p>	<p>Date:</p>
<p>APPROVED AS TO FORM</p>		
<p>Signature:</p>		
<p>Town Counsel</p>		



TOWN OF ARLINGTON
STANDARD CONTRACT GENERAL CONDITIONS

Article 1. Definitions.

1.1 The following terms in these Contract Documents shall be construed as follows:

1.1.1 “Town” shall mean the Town of Arlington, Massachusetts.

1.1.2 “Contract” and “Contract Documents” shall include, in the following hierarchy of document precedence, as applicable: the Town’s Standard Contract Document; these Standard Contract General Conditions; the Invitations for Bids, Requests for Proposals, or other solicitations; the Contractor’s responses including Contractor Certifications and Applications, excluding any language stricken by Town as unacceptable and including any negotiated statements of work contemplated by the solicitation; and Performance Bonds, which documents are incorporated herein by reference.

1.1.3 “Contractor” shall mean the individual, partnership, corporation or other entity to which this Contract is awarded.

1.1.4 “Official” shall mean the awarding authority/officer acting on behalf of the Town in the execution of the Contract.

Article 2. Performance.

2.1 The Contractor shall conform to all determinations and directions, in accordance with provisions of this Contract, of the Official concerning all questions which may arise relating to the performance of services under this Contract.

2.2 The Contractor shall, upon written request of the Official, remove from Town premises and replace all individuals in the Contractor’s employ whom the Official determines to be disorderly, careless or incompetent or to be employed in violation of the terms of this Contract.

2.3 Town is entitled to ownership and possession of all deliverables purchased or developed with Contract funds. All work papers, reports, questionnaires and other written materials prepared or collected by the Contractor in the course of completing the work to be performed under this Contract shall at all times be the exclusive property of the Town. The Contractor shall not use such materials for any purposes other than the purpose of this Contract without the prior written consent of the Official. All Contractor proprietary rights shall be detailed in the Contract Documents.

2.4 Prior to beginning performance under this Contract, Contractor must receive a Purchase Order from Town.

Article 3. Acceptance of Goods and Services.

3.1 Performance under this Contract shall include services rendered, obligations due, costs incurred, and goods and deliverables provided to and accepted by Town. The Town shall have a reasonable opportunity to inspect all goods and deliverables, services performed by, and work product of the Contractor, and accept or reject such goods, deliverables, services, or work product.

Article 4. Time.

4.1 It is understood and agreed that Contractor's performance shall be timely and meet or exceed industry standards for the performance required.

Article 5. Compensation.

5.1 The Contractor may, in the absence of a payment schedule, periodically submit to the Official invoices, itemizing goods, services, labor and expenses for which compensation is due and requesting payment for goods received or services rendered by the Contractor during the period covered by the invoice.

5.2 Thereupon the Official shall estimate the value of goods or services accepted by the Town in accordance with the specific terms and conditions of a Contract, and Town shall pay to the Contractor such amount less sums retained under the provisions of Article 8 of these General Conditions.

5.3 The Town shall pay in full and complete compensation for goods received and accepted and services performed and accepted under this Contract in an amount not to exceed the amount shown on the face of this Contract paid in accordance with the rate indicated or in accordance with a prescribed schedule. Acceptance by the Contractor of any payment or partial payment, without any written objection by the Contractor, shall in each instance operate as a release and discharge of the Town from all claims, liabilities or other obligations relating to the performance of a Contract.

5.4 In the event that this Contract provides for reimbursement by the Town to the Contractor for travel or related expenses, the Contractor may submit such proposed expenses to the Official for approval prior to the incurrence of such expenses. Such expenses shall be reviewed on a case-by-case basis. Nothing herein shall be construed to require the Town to reimburse the Contractor for the expenses described in this Section.

5.5 The Contractor shall furnish any information, estimate or vouchers relating to the goods or services or to documentation of labor or expenses as may be requested by the Official.

Article 6. Relationship with the Town.

6.1 The Contractor is retained solely for the purposes set forth in this Contract. Contractor's relationship to the Town during the term of this Contract shall be that of an independent Contractor. The Contractor shall have no authority to involve the Town in any contract or to incur any liability on the part of the Town. The Contractor, its agents or employees shall not be considered as having the status or pension rights of an employee; provided that the Contractor shall be considered an employee for the purpose of General Laws c. 268A (the Conflict of Interest Law). The Town shall not be liable for any personal injury to or death of the Contractor, its agents or employees.

6.2 Unless all the terms and conditions for the delivery or provision of goods or services by the Contractor to the Town specified by this Contract are expressly set forth in a writing incorporated herein by reference, such delivery of goods or services shall require written approval of or direction by the Official prior to the incurrence of any liability by the Town. The Town has no legal obligation to compensate a Contractor for performance that is not requested and is intentionally delivered by a Contractor outside the scope of a Contract.

6.3 Any amendments to the terms and conditions of this Contract must be in writing and signed by the Official and Contractor and filed with the Town Comptroller. The Town's Standard Contract Document and Standard Contract General Conditions shall supersede any conflicting verbal or written agreements relating to the performance of a Contract, including contract forms, purchase orders, or invoices of the Contractor.

6.4 Forbearance or indulgence in any form or manner by a party shall not be construed as a waiver, nor in any way limit the legal or equitable remedies available to that party. No waiver by either party of any default or breach shall constitute a waiver of any subsequent default or breach.

Article 7. Assumption of Loss and Liability.

7.1 The Contractor shall pay and be exclusively responsible for all debts for labor and material contracted for by Contractor for the rental of any appliance or equipment hired by Contractor and/or for any expense incurred on account of services to be performed under this Contract.

7.2 The Contractor shall bear the risk of loss for any Contractor materials used for a Contract and for all goods and deliverables, until possession, ownership and full legal title to the goods and deliverables are transferred to and accepted by the Town.

7.3 To the fullest extent permitted by law, the Contractor shall indemnify, hold harmless, and assume the defense of the Town, its officers, agents or employees, with counsel acceptable to Town, which acceptance shall not be unreasonably withheld, from all liabilities, suits, claims, losses, and costs or any other damages against them or any of them arising from any act or omission of the Contractor, its agents, officers, employees, or subcontractors in any way connected with performance under this Contract.

Article 8. Remedies of the Town.

8.1 If the Contractor provides goods and/or services that do not comply with Contract specifications and requirements as reasonably determined by the Official, the Official may request that the Contractor refurnish services or provide substitute goods at no additional cost to the Town

until approved by the Official. If the Contractor shall fail to provide satisfactory goods or services, the Official, in the alternative, may make any reasonable purchase or Contract to purchase goods or services in substitution for those due from the Contractor. The Town may deduct the cost of any substitute Contract or nonperformance of services together with incidental and consequential damages from the Contract price and shall withhold such damages from sums due or to become due to the Contractor. The Town otherwise retains all rights and remedies at law or in equity.

8.2 If the damages sustained by the Town as determined by the Official exceed sums due or to become due, the Contractor shall pay the difference to the Town upon demand.

8.3 The Contractor shall not be liable for any damages sustained by the Town due to the Contractor's failure to furnish goods or services under the terms of this Contract if such failure is in fact caused by the occurrence of a contingency the nonoccurrence of which was a basic assumption under which this Contract was made, including but not necessarily limited to a state of war, act of enemies, embargoes, expropriation or labor strike or any unanticipated federal, state, or municipal governmental regulation or order, provided that the Contractor has notified the Official in writing of such cause as soon as practicable.

8.4 The Town may terminate this Contract for cause if the Contractor has breached any material term or condition and has not corrected the breach within a reasonable period of time after written notice from the Town identifying the breach. This Contract may be terminated at any time for the convenience of the Town at the option of the Official by delivering or mailing to the Contractor at the Contractor's business address a written notice of termination setting forth the date, not less than seven (7) days after the date of such delivery or mailing, when such termination shall be effective. In the event of such termination for convenience, the Contractor shall be compensated for services rendered to the effective date of said termination in accordance with the rates of compensation specified in this Contract. The parties agree that if Town erroneously, improperly or unjustifiably terminates for cause, such termination shall be deemed a termination for convenience, which shall be effective thirty (30) days after such notice of termination for cause is provided.

Article 9. Remedies of the Contractor.

9.1 If damages, other than loss on nonconforming services or on services not performed, are actually sustained by the Contractor due to any act or material omission for which the Town is legally responsible, the Town may allow a sum equal to the amount of such damages sustained by the Contractor as determined by the Official in writing, provided the Contractor shall have delivered to the Official a detailed written statement of such damages and cause thereof within thirty (30) days after the act or material omission by the Town.

Article 10. Prohibition Against Assignment.

10.1 The Contractor shall not assign, delegate, subcontract or in any way transfer any interest in this Contract without prior written consent of the Official.

Article 11. Compliance with Law and Public Policy.

11.1 This Contract is made subject to all laws of the Commonwealth of Massachusetts. If the Contractor is a business, the Contractor certifies that it is listed under the Secretary of State's website as licensed to do business in Massachusetts, as required by law.

11.2 The Contractor shall provide, at its sole expense, all necessary licenses, permits or other authorizations required by the Town, the Commonwealth of Massachusetts or any other governmental agency with proper jurisdiction.

11.3 Where applicable, the Contractor shall take out and maintain during the term of this Contract such Worker's Compensation insurance as may be reasonably necessary to protect the Contractor from claims under General Laws c. 152 (the Worker's Compensation Law).

11.4 The Contractor shall maintain for the duration of the Contract professional, liability, and other insurance as required by the solicitation or as otherwise required by Town, but in no event less than the amount and type of insurance coverage sufficient to cover the performance. The Contractor shall name the Town as an additional insured on the policies described in this Section. The Town's insurance requirements are further described in the Insurance Addendum to this Contract.

11.5 The Contractor agrees and shall require any subcontractor to agree not to discriminate in connection with the performance of work under the Contract against any employee or applicant for employment because of sex, race, color, sexual orientation, gender identity or expression, marital status, parental status, sex-offender status, prior psychiatric treatment, military status, religious creed, disability, national origin, ancestry, source of income, or age, unless based upon a legally permissible and bona fide occupational qualification. The Contractor agrees and shall require any subcontractor to agree to post in conspicuous places notices to be provided by the Massachusetts Commission Against Discrimination, setting forth provisions of the Fair Employment Practice Law of the Commonwealth.

11.6 The Contractor's attention is called to General Laws c. 268A (the Conflict of Interest Law). The Contractor shall not act in collusion with any Town officer, agent, or employee, nor shall the Contractor make gifts regarding this Contract or any other matter in which the Town has a direct and substantial interest.

11.7 The Contractor shall keep himself fully informed of all Town Bylaws, any regulations, and State and Federal laws, which in any manner affect the work herein specified. The Contractor shall at all times observe and comply with said ordinances, regulations or laws, and shall defend, hold harmless, and indemnify the Town, its officers, agents and employees against any claim or liability arising from or based on the violations of such bylaws, regulations or laws, caused by the negligent actions or omissions of the Contractor, its agents, or employees.

11.8 The Contractor certifies that neither it nor any of its subcontractors are currently debarred or suspended by the U.S. government, the Commonwealth of Massachusetts, or any of its subdivisions.

11.9 The Contractor certifies that neither it nor any of its subcontractors have been subject to a federal or state criminal or civil judgment, administrative citation, final administrative

determination, order or debarment resulting from a violation of G.L. c.149, c.151, or the Fair Labor Standards Act within three (3) years prior to the date of the Contract; or certifies that it has provided copies of any and all of the above to the Official prior to the date of the Contract and any required wage bond or insurance; and certifies that while the Contract is in effect, it will report any instance of the above to the Official within five (5) days of Contractor's receipt. The Contractor agrees and shall require any subcontractor to post in conspicuous places notices to be provided by the Town, informing employees of the protections of applicable local, state, and federal law.

11.10 Contractor agrees that they shall comply fully with all state and federal laws and regulations regarding human trafficking and forced labor. Failure to do so will be considered a breach of this Contract.

11.11 If applicable, as determined by the Massachusetts Department of Labor Standards, the Contractor shall comply with the Massachusetts Prevailing Wage Law (M.G.L. c. 149, s.26, -27H) for public works projects, which establishes minimum wage rates for workers on such projects. The Contractor shall comply and shall cause its subcontractors to comply with M.G.L. c. 149, s. 27B, which requires that a true and accurate record be kept of all persons employed on a project for which the prevailing wage rates are required. The Contractor shall, and shall cause its subcontractors to, submit weekly copies of their weekly payroll records to the Town, to the extent the Prevailing Wage Law is applicable.

11.12 The Contractor shall comply with the Town's Bylaws for any contract awarded pursuant to M.G.L. c.149 or M.G.L. c.30, sec. 39M et. seq., and as may be amended from time to time.

Article 12. Contract Subject to Appropriation.

12.1 This Contract and payments hereunder are subject to the availability of an appropriation therefor. Any oral or written representations, commitments, or assurances made by the Official or any other Town representatives are not binding. Contractors should verify funding prior to beginning performance.

12.2 If the Contract is funded under a grant with the Federal Government, it is being executed without further appropriation pursuant to General Laws c. 44, s.53A.

12.3 When the amount of the Town Comptroller's certification of available funds is less than the face amount of the Contract, the Town shall not be liable for any claims or requests for payment by the Contractor which would cause total claims or payments under this Contract to exceed the amount so certified.

12.4 Unless otherwise expressly provided in a writing incorporated herein by reference, the amount certified by the Town Comptroller as available funds under this Contract may be increased or decreased by the Official with the written approval of such change by the Town Comptroller. In the event of any decrease in the amount certified, the Contractor shall be compensated for services

rendered to the effective date of such reduction, in accordance with the rates of compensation specified in this Contract.

Article 13. Release of Town on Final Payment.

13.1 Acceptance by the Contractor of payment from the Town for final services under this Contract shall be deemed to release forever the Town from all claims and liabilities, except those which the Contractor notifies the Official in writing within six (6) months after such payment.

Article 14. Public Records and Access.

14.1 This Contract is subject to the Commonwealth's Public Records Law, M.G.L. ch. 66. s. 10. Any documents related to this Contract shall be retained according to the Secretary of State's Municipal Retention Schedule or as required by the Town for a period not shorter than required said Municipal Retention Schedule.

14.2 The Contractor shall provide full access to records related to performance and compliance to the Town for seven (7) years beginning on the first day after the final payment under this Contract or such longer period necessary for the resolution of any litigation, claim, negotiation, audit or other inquiry involving this Contract. Access to view Contractor records related to any breach or allegation of fraud, waste and/or abuse may not be denied and Contractor cannot claim confidentiality or trade secret protections solely for viewing but not retaining documents. Routine Contract performance compliance reports or documents related to any alleged breach or allegation of non-compliance, fraud, waste, abuse or collusion may be provided electronically and shall be provided at Contractor's own expense. Reasonable costs for copies of non-routine Contract related records shall not exceed the rates for public records under 950 C.M.R. 32.00.

Article 15. State Taxation Certification.

15.1 Pursuant to M.G.L. c. 62C, s. 49A, the Contractor certifies under penalties of perjury, that to the best of Contractor's knowledge and belief, Contractor has complied with all laws of the Commonwealth relating to taxes, reporting of employees and contractors, and withholding and remitting of child support. (NOTE: The Taxpayer Identification Number will be furnished to the Massachusetts Department of Revenue to determine compliance with the above- referenced law).

Article 16. Monies Owed to Town.

16.1 Pursuant to M.G.L. c. 60, s. 93, the Contractor agrees that the Town Treasurer and Collector may withhold from amounts owing and payable to the Contractor under this Contract any sums owed to any department or agency of the Town of Arlington which remain wholly or partially unpaid. This shall include but not be limited to unpaid taxes and assessments, police details, and any other fees and charges until such sums owed have been paid in full, and the Town Treasurer and Collector may apply any amount owing and payable to the Contractor to satisfy any monies owed to the Town.

Article 17. Prohibition Against Bid Collusion.

17.1 The Contractor certifies under penalties of perjury that his/her bid or proposal has been made and submitted in good faith and without collusion, fraud, or unfair trade practice with any other person. As used in this article, the word "person" shall mean any natural person, business, partnership, corporation, union, committee, club, or other organization, entity or group of individuals. Any actions to avoid or frustrate fair and open competition are prohibited by law, and shall be grounds for rejection or disqualification of a Response or termination of this Contract.

Article 18. Choice of Law.

18.1 Any actions arising out of this Contract shall be governed by the laws of Massachusetts, and shall be brought and maintained in a State or federal court in Massachusetts which shall have exclusive jurisdiction thereof.

Article 19. Effective Date and Signatures.

19.1 This Contract shall be effective upon the date signed by the parties on the Town's Standard Contract Document.



INSURANCE ADDENDUM

THIS INSURANCE ADDENDUM (“Insurance Addendum”) is hereby incorporated by reference into the Town’s Standard Contract General Conditions.

1. Scope and term.

- a. The Contractor shall maintain for the duration of the Contract professional, liability, and other insurance as required by the solicitation or as otherwise required by Town, but in no event less than the amount and type of insurance coverage sufficient to cover the performance.
- b. The Contractor shall name the Town as an additional insured on the policies required and shall specifically refer in the certificates to this Contract and shall state that insurance is as required by this Contract. The description of each coverage listed on the certificates shall include an appropriate means of identification. The Contractor shall not commence the work until proof of compliance with this Section has been furnished to the Town.
- c. Not later than the commencement date of the Contract, and annually thereafter for the term of this Contract or any extension thereof, Contractor shall furnish the Town with certificates of insurance evidencing coverages described in the Contract and any associated documents, and evidencing the Town’s additional insured status. Such certificates shall contain a provision providing the Town thirty (30) days advance written notice by registered mail of any change in or cancellation of coverage or ten (10) days’ notice if cancellation is due to nonpayment of premiums.

2. **Requirements.** The Contractor shall maintain the above-mentioned policies consistent with addendum with carriers having an A.M. Best credit rating of A-VIII (or better). The required insurance policies shall include all major divisions of coverage and shall be on a comprehensive general basis including premises and operations (including X-C-U), and owned, non-owned, and hired motor vehicles. Such insurance shall be written for not less than the limits of liability required by law, or the limits set forth below, whichever are greater.

3. **Remedies.** The Town reserves the right to pursue any remedies available at law or in equity for the Contractor’s failure to comply with the requirements set forth in this addendum.

4. **Waiver.** The Contractor agrees to waive all claims against the Town, its officers, agents or employees for any injury or death sustained by Contractor’s officers or employees, or for damage to its vehicles or equipment arising out of work contemplated by this Contract. The Contractor and all subcontractors shall waive subrogation rights against the Town for all losses.

5. **Notice of Occurrence.** Notice of Occurrence shall be given to the Town at the following addresses:

Town of Arlington
c/o Town Manager
730 Massachusetts Avenue
Arlington, MA 02476

With a copy to:

Town Counsel
50 Pleasant Street
Arlington, MA 02476

SECTION 00 70 00

GENERAL CONDITIONS

This document has important legal consequences; consultation with an attorney is encouraged with respect to its use or modification. This document should be adapted to the particular circumstances of the contemplated Project and the controlling Laws and Regulations.

STANDARD GENERAL CONDITIONS OF THE CONSTRUCTION CONTRACT

Prepared By



Endorsed By



Copyright© 2018

National Society of Professional Engineers
1420 King Street, Alexandria, VA 22314-2794
(703) 684-2882
www.nspe.org

American Council of Engineering Companies
1015 15th Street N.W., Washington, DC 20005
(202) 347-7474
www.acec.org

American Society of Civil Engineers
1801 Alexander Bell Drive, Reston, VA 20191-4400
(800) 548-2723
www.asce.org

The copyright for this EJCDC document is owned jointly by the three sponsoring organizations listed above. The National Society of Professional Engineers is the Copyright Administrator for the EJCDC documents; please direct all inquiries regarding EJCDC copyrights to NSPE.

NOTE: EJCDC publications may be purchased at www.ejcdc.org, or from any of the sponsoring organizations above.

This page has been deleted

STANDARD GENERAL CONDITIONS OF THE CONSTRUCTION CONTRACT

TABLE OF CONTENTS

	Page
Article 1—Definitions and Terminology.....	1
1.01 Defined Terms.....	1
1.02 Terminology	6
Article 2—Preliminary Matters.....	7
2.01 Delivery of Performance and Payment Bonds; Evidence of Insurance.....	7
2.02 Copies of Documents	7
2.03 Before Starting Construction	7
2.04 Preconstruction Conference; Designation of Authorized Representatives.....	8
2.05 Acceptance of Schedules	8
2.06 Electronic Transmittals	8
Article 3—Contract Documents: Intent, Requirements, Reuse.....	9
3.01 Intent.....	9
3.02 Reference Standards.....	9
3.03 Reporting and Resolving Discrepancies	10
3.04 Requirements of the Contract Documents.....	10
3.05 Reuse of Documents	11
Article 4—Commencement and Progress of the Work	11
4.01 Commencement of Contract Times; Notice to Proceed.....	11
4.02 Starting the Work.....	11
4.03 Reference Points	11
4.04 Progress Schedule.....	12
4.05 Delays in Contractor’s Progress	12
Article 5—Site; Subsurface and Physical Conditions; Hazardous Environmental Conditions	13
5.01 Availability of Lands	13
5.02 Use of Site and Other Areas.....	14
5.03 Subsurface and Physical Conditions.....	15
5.04 Differing Subsurface or Physical Conditions	16

5.05	Underground Facilities.....	17
5.06	Hazardous Environmental Conditions at Site	19
Article 6—Bonds and Insurance.....		21
6.01	Performance, Payment, and Other Bonds.....	21
6.02	Insurance—General Provisions.....	22
6.03	Contractor’s Insurance.....	24
6.04	Builder’s Risk and Other Property Insurance.....	25
6.05	Property Losses; Subrogation	25
6.06	Receipt and Application of Property Insurance Proceeds	27
Article 7—Contractor’s Responsibilities		27
7.01	Contractor’s Means and Methods of Construction	27
7.02	Supervision and Superintendence	27
7.03	Labor; Working Hours	27
7.04	Services, Materials, and Equipment	28
7.05	“Or Equals”.....	28
7.06	Substitutes	29
7.07	Concerning Subcontractors and Suppliers.....	31
7.08	Patent Fees and Royalties.....	32
7.09	Permits	33
7.10	Taxes	33
7.11	Laws and Regulations.....	33
7.12	Record Documents.....	33
7.13	Safety and Protection	34
7.14	Hazard Communication Programs	35
7.15	Emergencies.....	35
7.16	Submittals	35
7.17	Contractor’s General Warranty and Guarantee	38
7.18	Indemnification	39
7.19	Delegation of Professional Design Services	39
Article 8—Other Work at the Site.....		40
8.01	Other Work	40
8.02	Coordination	41
8.03	Legal Relationships.....	41

Article 9—Owner’s Responsibilities	42
9.01 Communications to Contractor	42
9.02 Replacement of Engineer	42
9.03 Furnish Data	42
9.04 Pay When Due.....	42
9.05 Lands and Easements; Reports, Tests, and Drawings.....	43
9.06 Insurance.....	43
9.07 Change Orders	43
9.08 Inspections, Tests, and Approvals.....	43
9.09 Limitations on Owner’s Responsibilities	43
9.10 Undisclosed Hazardous Environmental Condition.....	43
9.11 Evidence of Financial Arrangements.....	43
9.12 Safety Programs	43
Article 10—Engineer’s Status During Construction	44
10.01 Owner’s Representative.....	44
10.02 Visits to Site.....	44
10.03 Resident Project Representative.....	44
10.04 Engineer’s Authority	44
10.05 Determinations for Unit Price Work	45
10.06 Decisions on Requirements of Contract Documents and Acceptability of Work	45
10.07 Limitations on Engineer’s Authority and Responsibilities	45
10.08 Compliance with Safety Program.....	45
Article 11—Changes to the Contract	46
11.01 Amending and Supplementing the Contract	46
11.02 Change Orders	46
11.03 Work Change Directives.....	46
11.04 Field Orders.....	47
11.05 Owner-Authorized Changes in the Work.....	47
11.06 Unauthorized Changes in the Work.....	47
11.07 Change of Contract Price	47
11.08 Change of Contract Times.....	49
11.09 Change Proposals.....	49
11.10 Notification to Surety.....	50

Article 12—Claims.....	50
12.01 Claims.....	50
Article 13—Cost of the Work; Allowances; Unit Price Work	51
13.01 Cost of the Work	51
13.02 Allowances	55
13.03 Unit Price Work.....	55
Article 14—Tests and Inspections; Correction, Removal, or Acceptance of Defective Work	56
14.01 Access to Work.....	56
14.02 Tests, Inspections, and Approvals.....	56
14.03 Defective Work	57
14.04 Acceptance of Defective Work.....	58
14.05 Uncovering Work	58
14.06 Owner May Stop the Work	58
14.07 Owner May Correct Defective Work.....	59
Article 15—Payments to Contractor; Set-Offs; Completion; Correction Period	59
15.01 Progress Payments.....	59
15.02 Contractor’s Warranty of Title	62
15.03 Substantial Completion.....	62
15.04 Partial Use or Occupancy	63
15.05 Final Inspection	64
15.06 Final Payment.....	64
15.07 Waiver of Claims	65
15.08 Correction Period	66
Article 16—Suspension of Work and Termination	67
16.01 Owner May Suspend Work	67
16.02 Owner May Terminate for Cause.....	67
16.03 Owner May Terminate for Convenience.....	68
16.04 Contractor May Stop Work or Terminate	68
Article 17—Final Resolution of Disputes	69
17.01 Methods and Procedures.....	69
Article 18—Miscellaneous	69
18.01 Giving Notice	69
18.02 Computation of Times.....	69

18.03 Cumulative Remedies 70
18.04 Limitation of Damages 70
18.05 No Waiver 70
18.06 Survival of Obligations 70
18.07 Controlling Law 70
18.08 Assignment of Contract..... 70
18.09 Successors and Assigns 70
18.10 Headings..... 70

STANDARD GENERAL CONDITIONS OF THE CONSTRUCTION CONTRACT

ARTICLE 1—DEFINITIONS AND TERMINOLOGY

1.01 *Defined Terms*

- A. Wherever used in the Bidding Requirements or Contract Documents, a term printed with initial capital letters, including the term's singular and plural forms, will have the meaning indicated in the definitions below. In addition to terms specifically defined, terms with initial capital letters in the Contract Documents include references to identified articles and paragraphs, and the titles of other documents or forms.
1. *Addenda*—Written or graphic instruments issued prior to the opening of Bids which clarify, correct, or change the Bidding Requirements or the proposed Contract Documents.
 2. *Agreement*—The written instrument, executed by Owner and Contractor, that sets forth the Contract Price and Contract Times, identifies the parties and the Engineer, and designates the specific items that are Contract Documents.
 3. *Application for Payment*—The document prepared by Contractor, in a form acceptable to Engineer, to request progress or final payments, and which is to be accompanied by such supporting documentation as is required by the Contract Documents.
 4. *Bid*—The offer of a Bidder submitted on the prescribed form setting forth the prices for the Work to be performed.
 5. *Bidder*—An individual or entity that submits a Bid to Owner.
 6. *Bidding Documents*—The Bidding Requirements, the proposed Contract Documents, and all Addenda.
 7. *Bidding Requirements*—The Advertisement or invitation to bid, Instructions to Bidders, Bid Bond or other Bid security, if any, the Bid Form, and the Bid with any attachments.
 8. *Change Order*—A document which is signed by Contractor and Owner and authorizes an addition, deletion, or revision in the Work or an adjustment in the Contract Price or the Contract Times, or other revision to the Contract, issued on or after the Effective Date of the Contract.
 9. *Change Proposal*—A written request by Contractor, duly submitted in compliance with the procedural requirements set forth herein, seeking an adjustment in Contract Price or Contract Times; contesting an initial decision by Engineer concerning the requirements of the Contract Documents or the acceptability of Work under the Contract Documents; challenging a set-off against payments due; or seeking other relief with respect to the terms of the Contract.
 10. *Claim*
 - a. A demand or assertion by Owner directly to Contractor, duly submitted in compliance with the procedural requirements set forth herein, seeking an adjustment of Contract Price or Contract Times; contesting an initial decision by Engineer concerning the

- requirements of the Contract Documents or the acceptability of Work under the Contract Documents; contesting Engineer's decision regarding a Change Proposal; seeking resolution of a contractual issue that Engineer has declined to address; or seeking other relief with respect to the terms of the Contract.
- b. A demand or assertion by Contractor directly to Owner, duly submitted in compliance with the procedural requirements set forth herein, contesting Engineer's decision regarding a Change Proposal, or seeking resolution of a contractual issue that Engineer has declined to address.
 - c. A demand or assertion by Owner or Contractor, duly submitted in compliance with the procedural requirements set forth herein, made pursuant to Paragraph 12.01.A.4, concerning disputes arising after Engineer has issued a recommendation of final payment.
 - d. A demand for money or services by a third party is not a Claim.
11. *Constituent of Concern*—Asbestos, petroleum, radioactive materials, polychlorinated biphenyls (PCBs), lead-based paint (as defined by the HUD/EPA standard), hazardous waste, and any substance, product, waste, or other material of any nature whatsoever that is or becomes listed, regulated, or addressed pursuant to Laws and Regulations regulating, relating to, or imposing liability or standards of conduct concerning, any hazardous, toxic, or dangerous waste, substance, or material.
 12. *Contract*—The entire and integrated written contract between Owner and Contractor concerning the Work.
 13. *Contract Documents*—Those items so designated in the Agreement, and which together comprise the Contract.
 14. *Contract Price*—The money that Owner has agreed to pay Contractor for completion of the Work in accordance with the Contract Documents.
 15. *Contract Times*—The number of days or the dates by which Contractor shall: (a) achieve Milestones, if any; (b) achieve Substantial Completion; and (c) complete the Work.
 16. *Contractor*—The individual or entity with which Owner has contracted for performance of the Work.
 17. *Cost of the Work*—See Paragraph 13.01 for definition.
 18. *Drawings*—The part of the Contract that graphically shows the scope, extent, and character of the Work to be performed by Contractor.
 19. *Effective Date of the Contract*—The date, indicated in the Agreement, on which the Contract becomes effective.
 20. *Electronic Document*—Any Project-related correspondence, attachments to correspondence, data, documents, drawings, information, or graphics, including but not limited to Shop Drawings and other Submittals, that are in an electronic or digital format.
 21. *Electronic Means*—Electronic mail (email), upload/download from a secure Project website, or other communications methods that allow: (a) the transmission or communication of Electronic Documents; (b) the documentation of transmissions, including sending and receipt; (c) printing of the transmitted Electronic Document by the

recipient; (d) the storage and archiving of the Electronic Document by sender and recipient; and (e) the use by recipient of the Electronic Document for purposes permitted by this Contract. Electronic Means does not include the use of text messaging, or of Facebook, Twitter, Instagram, or similar social media services for transmission of Electronic Documents.

22. *Engineer*—The individual or entity named as such in the Agreement.
23. *Field Order*—A written order issued by Engineer which requires minor changes in the Work but does not change the Contract Price or the Contract Times.
24. *Hazardous Environmental Condition*—The presence at the Site of Constituents of Concern in such quantities or circumstances that may present a danger to persons or property exposed thereto.
 - a. The presence at the Site of materials that are necessary for the execution of the Work, or that are to be incorporated into the Work, and that are controlled and contained pursuant to industry practices, Laws and Regulations, and the requirements of the Contract, is not a Hazardous Environmental Condition.
 - b. The presence of Constituents of Concern that are to be removed or remediated as part of the Work is not a Hazardous Environmental Condition.
 - c. The presence of Constituents of Concern as part of the routine, anticipated, and obvious working conditions at the Site, is not a Hazardous Environmental Condition.
25. *Laws and Regulations; Laws or Regulations*—Any and all applicable laws, statutes, rules, regulations, ordinances, codes, and binding decrees, resolutions, and orders of any and all governmental bodies, agencies, authorities, and courts having jurisdiction.
26. *Liens*—Charges, security interests, or encumbrances upon Contract-related funds, real property, or personal property.
27. *Milestone*—A principal event in the performance of the Work that the Contract requires Contractor to achieve by an intermediate completion date, or by a time prior to Substantial Completion of all the Work.
28. *Notice of Award*—The written notice by Owner to a Bidder of Owner's acceptance of the Bid.
29. *Notice to Proceed*—A written notice by Owner to Contractor fixing the date on which the Contract Times will commence to run and on which Contractor shall start to perform the Work.
30. *Owner*—The individual or entity with which Contractor has contracted regarding the Work, and which has agreed to pay Contractor for the performance of the Work, pursuant to the terms of the Contract.
31. *Progress Schedule*—A schedule, prepared and maintained by Contractor, describing the sequence and duration of the activities comprising Contractor's plan to accomplish the Work within the Contract Times.
32. *Project*—The total undertaking to be accomplished for Owner by engineers, contractors, and others, including planning, study, design, construction, testing, commissioning, and start-up, and of which the Work to be performed under the Contract Documents is a part.

33. *Resident Project Representative*—The authorized representative of Engineer assigned to assist Engineer at the Site. As used herein, the term Resident Project Representative (RPR) includes any assistants or field staff of Resident Project Representative.
34. *Samples*—Physical examples of materials, equipment, or workmanship that are representative of some portion of the Work and that establish the standards by which such portion of the Work will be judged.
35. *Schedule of Submittals*—A schedule, prepared and maintained by Contractor, of required submittals and the time requirements for Engineer’s review of the submittals.
36. *Schedule of Values*—A schedule, prepared and maintained by Contractor, allocating portions of the Contract Price to various portions of the Work and used as the basis for reviewing Contractor’s Applications for Payment.
37. *Shop Drawings*—All drawings, diagrams, illustrations, schedules, and other data or information that are specifically prepared or assembled by or for Contractor and submitted by Contractor to illustrate some portion of the Work. Shop Drawings, whether approved or not, are not Drawings and are not Contract Documents.
38. *Site*—Lands or areas indicated in the Contract Documents as being furnished by Owner upon which the Work is to be performed, including rights-of-way and easements, and such other lands or areas furnished by Owner which are designated for the use of Contractor.
39. *Specifications*—The part of the Contract that consists of written requirements for materials, equipment, systems, standards, and workmanship as applied to the Work, and certain administrative requirements and procedural matters applicable to the Work.
40. *Subcontractor*—An individual or entity having a direct contract with Contractor or with any other Subcontractor for the performance of a part of the Work.
41. *Submittal*—A written or graphic document, prepared by or for Contractor, which the Contract Documents require Contractor to submit to Engineer, or that is indicated as a Submittal in the Schedule of Submittals accepted by Engineer. Submittals may include Shop Drawings and Samples; schedules; product data; Owner-delegated designs; sustainable design information; information on special procedures; testing plans; results of tests and evaluations, source quality-control testing and inspections, and field or Site quality-control testing and inspections; warranties and certifications; Suppliers’ instructions and reports; records of delivery of spare parts and tools; operations and maintenance data; Project photographic documentation; record documents; and other such documents required by the Contract Documents. Submittals, whether or not approved or accepted by Engineer, are not Contract Documents. Change Proposals, Change Orders, Claims, notices, Applications for Payment, and requests for interpretation or clarification are not Submittals.
42. *Substantial Completion*—The time at which the Work (or a specified part thereof) has progressed to the point where, in the opinion of Engineer, the Work (or a specified part thereof) is sufficiently complete, in accordance with the Contract Documents, so that the Work (or a specified part thereof) can be utilized for the purposes for which it is intended. The terms “substantially complete” and “substantially completed” as applied to all or part of the Work refer to Substantial Completion of such Work.

43. *Successful Bidder*—The Bidder to which the Owner makes an award of contract.
44. *Supplementary Conditions*—The part of the Contract that amends or supplements these General Conditions.
45. *Supplier*—A manufacturer, fabricator, supplier, distributor, or vendor having a direct contract with Contractor or with any Subcontractor to furnish materials or equipment to be incorporated in the Work by Contractor or a Subcontractor.
46. *Technical Data*
- a. Those items expressly identified as Technical Data in the Supplementary Conditions, with respect to either (1) existing subsurface conditions at or adjacent to the Site, or existing physical conditions at or adjacent to the Site including existing surface or subsurface structures (except Underground Facilities) or (2) Hazardous Environmental Conditions at the Site.
 - b. If no such express identifications of Technical Data have been made with respect to conditions at the Site, then Technical Data is defined, with respect to conditions at the Site under Paragraphs 5.03, 5.04, and 5.06, as the data contained in boring logs, recorded measurements of subsurface water levels, assessments of the condition of subsurface facilities, laboratory test results, and other factual, objective information regarding conditions at the Site that are set forth in any geotechnical, environmental, or other Site or facilities conditions report prepared for the Project and made available to Contractor.
 - c. Information and data regarding the presence or location of Underground Facilities are not intended to be categorized, identified, or defined as Technical Data, and instead Underground Facilities are shown or indicated on the Drawings.
47. *Underground Facilities*—All active or not-in-service underground lines, pipelines, conduits, ducts, encasements, cables, wires, manholes, vaults, tanks, tunnels, or other such facilities or systems at the Site, including but not limited to those facilities or systems that produce, transmit, distribute, or convey telephone or other communications, cable television, fiber optic transmissions, power, electricity, light, heat, gases, oil, crude oil products, liquid petroleum products, water, steam, waste, wastewater, storm water, other liquids or chemicals, or traffic or other control systems. An abandoned facility or system is not an Underground Facility.
48. *Unit Price Work*—Work to be paid for on the basis of unit prices.
49. *Work*—The entire construction or the various separately identifiable parts thereof required to be provided under the Contract Documents. Work includes and is the result of performing or providing all labor, services, and documentation necessary to produce such construction; furnishing, installing, and incorporating all materials and equipment into such construction; and may include related services such as testing, start-up, and commissioning, all as required by the Contract Documents.
50. *Work Change Directive*—A written directive to Contractor issued on or after the Effective Date of the Contract, signed by Owner and recommended by Engineer, ordering an addition, deletion, or revision in the Work.

1.02 Terminology

- A. The words and terms discussed in Paragraphs 1.02.B, C, D, and E are not defined terms that require initial capital letters, but, when used in the Bidding Requirements or Contract Documents, have the indicated meaning.
- B. *Intent of Certain Terms or Adjectives:* The Contract Documents include the terms “as allowed,” “as approved,” “as ordered,” “as directed” or terms of like effect or import to authorize an exercise of professional judgment by Engineer. In addition, the adjectives “reasonable,” “suitable,” “acceptable,” “proper,” “satisfactory,” or adjectives of like effect or import are used to describe an action or determination of Engineer as to the Work. It is intended that such exercise of professional judgment, action, or determination will be solely to evaluate, in general, the Work for compliance with the information in the Contract Documents and with the design concept of the Project as a functioning whole as shown or indicated in the Contract Documents (unless there is a specific statement indicating otherwise). The use of any such term or adjective is not intended to and shall not be effective to assign to Engineer any duty or authority to supervise or direct the performance of the Work, or any duty or authority to undertake responsibility contrary to the provisions of Article 10 or any other provision of the Contract Documents.
- C. *Day:* The word “day” means a calendar day of 24 hours measured from midnight to the next midnight.
- D. *Defective:* The word “defective,” when modifying the word “Work,” refers to Work that is unsatisfactory, faulty, or deficient in that it:
1. does not conform to the Contract Documents;
 2. does not meet the requirements of any applicable inspection, reference standard, test, or approval referred to in the Contract Documents; or
 3. has been damaged prior to Engineer’s recommendation of final payment (unless responsibility for the protection thereof has been assumed by Owner at Substantial Completion in accordance with Paragraph 15.03 or Paragraph 15.04).
- E. *Furnish, Install, Perform, Provide*
1. The word “furnish,” when used in connection with services, materials, or equipment, means to supply and deliver said services, materials, or equipment to the Site (or some other specified location) ready for use or installation and in usable or operable condition.
 2. The word “install,” when used in connection with services, materials, or equipment, means to put into use or place in final position said services, materials, or equipment complete and ready for intended use.
 3. The words “perform” or “provide,” when used in connection with services, materials, or equipment, means to furnish and install said services, materials, or equipment complete and ready for intended use.
 4. If the Contract Documents establish an obligation of Contractor with respect to specific services, materials, or equipment, but do not expressly use any of the four words “furnish,” “install,” “perform,” or “provide,” then Contractor shall furnish and install said services, materials, or equipment complete and ready for intended use.

- F. *Contract Price or Contract Times*: References to a change in “Contract Price or Contract Times” or “Contract Times or Contract Price” or similar, indicate that such change applies to (1) Contract Price, (2) Contract Times, or (3) both Contract Price and Contract Times, as warranted, even if the term “or both” is not expressed.
- G. Unless stated otherwise in the Contract Documents, words or phrases that have a well-known technical or construction industry or trade meaning are used in the Contract Documents in accordance with such recognized meaning.

ARTICLE 2—PRELIMINARY MATTERS

2.01 *Delivery of Performance and Payment Bonds; Evidence of Insurance*

- A. *Performance and Payment Bonds*: When Contractor delivers the signed counterparts of the Agreement to Owner, Contractor shall also deliver to Owner the performance bond and payment bond (if the Contract requires Contractor to furnish such bonds).
- B. *Evidence of Contractor’s Insurance*: When Contractor delivers the signed counterparts of the Agreement to Owner, Contractor shall also deliver to Owner, with copies to each additional insured (as identified in the Contract), the certificates, endorsements, and other evidence of insurance required to be provided by Contractor in accordance with Article 6, except to the extent the Supplementary Conditions expressly establish other dates for delivery of specific insurance policies.
- C. *Evidence of Owner’s Insurance*: After receipt of the signed counterparts of the Agreement and all required bonds and insurance documentation, Owner shall promptly deliver to Contractor, with copies to each additional insured (as identified in the Contract), the certificates and other evidence of insurance required to be provided by Owner under Article 6.

2.02 *Copies of Documents*

- A. Owner shall furnish to Contractor four printed copies of the Contract (including one fully signed counterpart of the Agreement), and one copy in electronic portable document format (PDF). Additional printed copies will be furnished upon request at the cost of reproduction.
- B. Owner shall maintain and safeguard at least one original printed record version of the Contract, including Drawings and Specifications signed and sealed by Engineer and other design professionals. Owner shall make such original printed record version of the Contract available to Contractor for review. Owner may delegate the responsibilities under this provision to Engineer.

2.03 *Before Starting Construction*

- A. *Preliminary Schedules*: Within 10 days after the Effective Date of the Contract (or as otherwise required by the Contract Documents), Contractor shall submit to Engineer for timely review:
 - 1. a preliminary Progress Schedule indicating the times (numbers of days or dates) for starting and completing the various stages of the Work, including any Milestones specified in the Contract;
 - 2. a preliminary Schedule of Submittals; and
 - 3. a preliminary Schedule of Values for all of the Work which includes quantities and prices of items which when added together equal the Contract Price and subdivides the Work

into component parts in sufficient detail to serve as the basis for progress payments during performance of the Work. Such prices will include an appropriate amount of overhead and profit applicable to each item of Work.

2.04 *Preconstruction Conference; Designation of Authorized Representatives*

- A. Before any Work at the Site is started, a conference attended by Owner, Contractor, Engineer, and others as appropriate will be held to establish a working understanding among the parties as to the Work, and to discuss the schedules referred to in Paragraph 2.03.A, procedures for handling Shop Drawings, Samples, and other Submittals, processing Applications for Payment, electronic or digital transmittals, and maintaining required records.
- B. At this conference Owner and Contractor each shall designate, in writing, a specific individual to act as its authorized representative with respect to the services and responsibilities under the Contract. Such individuals shall have the authority to transmit and receive information, render decisions relative to the Contract, and otherwise act on behalf of each respective party.

2.05 *Acceptance of Schedules*

- A. At least 10 days before submission of the first Application for Payment a conference, attended by Contractor, Engineer, and others as appropriate, will be held to review the schedules submitted in accordance with Paragraph 2.03.A. No progress payment will be made to Contractor until acceptable schedules are submitted to Engineer.
 - 1. The Progress Schedule will be acceptable to Engineer if it provides an orderly progression of the Work to completion within the Contract Times. Such acceptance will not impose on Engineer responsibility for the Progress Schedule, for sequencing, scheduling, or progress of the Work, nor interfere with or relieve Contractor from Contractor's full responsibility therefor.
 - 2. Contractor's Schedule of Submittals will be acceptable to Engineer if it provides a workable arrangement for reviewing and processing the required submittals.
 - 3. Contractor's Schedule of Values will be acceptable to Engineer as to form and substance if it provides a reasonable allocation of the Contract Price to the component parts of the Work.
 - 4. If a schedule is not acceptable, Contractor will have an additional 10 days to revise and resubmit the schedule.

2.06 *Electronic Transmittals*

- A. Except as otherwise stated elsewhere in the Contract, the Owner, Engineer, and Contractor may send, and shall accept, Electronic Documents transmitted by Electronic Means.
- B. If the Contract does not establish protocols for Electronic Means, then Owner, Engineer, and Contractor shall jointly develop such protocols.
- C. Subject to any governing protocols for Electronic Means, when transmitting Electronic Documents by Electronic Means, the transmitting party makes no representations as to long-term compatibility, usability, or readability of the Electronic Documents resulting from the recipient's use of software application packages, operating systems, or computer hardware differing from those used in the drafting or transmittal of the Electronic Documents.

ARTICLE 3—CONTRACT DOCUMENTS: INTENT, REQUIREMENTS, REUSE

3.01 *Intent*

- A. The Contract Documents are complementary; what is required by one Contract Document is as binding as if required by all.
- B. It is the intent of the Contract Documents to describe a functionally complete Project (or part thereof) to be constructed in accordance with the Contract Documents.
- C. Unless otherwise stated in the Contract Documents, if there is a discrepancy between the electronic versions of the Contract Documents (including any printed copies derived from such electronic versions) and the printed record version, the printed record version will govern.
- D. The Contract supersedes prior negotiations, representations, and agreements, whether written or oral.
- E. Engineer will issue clarifications and interpretations of the Contract Documents as provided herein.
- F. Any provision or part of the Contract Documents held to be void or unenforceable under any Law or Regulation will be deemed stricken, and all remaining provisions will continue to be valid and binding upon Owner and Contractor, which agree that the Contract Documents will be reformed to replace such stricken provision or part thereof with a valid and enforceable provision that comes as close as possible to expressing the intention of the stricken provision.
- G. Nothing in the Contract Documents creates:
 - 1. any contractual relationship between Owner or Engineer and any Subcontractor, Supplier, or other individual or entity performing or furnishing any of the Work, for the benefit of such Subcontractor, Supplier, or other individual or entity; or
 - 2. any obligation on the part of Owner or Engineer to pay or to see to the payment of any money due any such Subcontractor, Supplier, or other individual or entity, except as may otherwise be required by Laws and Regulations.

3.02 *Reference Standards*

- A. *Standards Specifications, Codes, Laws and Regulations*
 - 1. Reference in the Contract Documents to standard specifications, manuals, reference standards, or codes of any technical society, organization, or association, or to Laws or Regulations, whether such reference be specific or by implication, means the standard specification, manual, reference standard, code, or Laws or Regulations in effect at the time of opening of Bids (or on the Effective Date of the Contract if there were no Bids), except as may be otherwise specifically stated in the Contract Documents.
 - 2. No provision of any such standard specification, manual, reference standard, or code, and no instruction of a Supplier, will be effective to change the duties or responsibilities of Owner, Contractor, or Engineer from those set forth in the part of the Contract Documents prepared by or for Engineer. No such provision or instruction shall be effective to assign to Owner or Engineer any duty or authority to supervise or direct the performance of the Work, or any duty or authority to undertake responsibility

inconsistent with the provisions of the part of the Contract Documents prepared by or for Engineer.

3.03 *Reporting and Resolving Discrepancies*

A. *Reporting Discrepancies*

1. *Contractor's Verification of Figures and Field Measurements:* Before undertaking each part of the Work, Contractor shall carefully study the Contract Documents, and check and verify pertinent figures and dimensions therein, particularly with respect to applicable field measurements. Contractor shall promptly report in writing to Engineer any conflict, error, ambiguity, or discrepancy that Contractor discovers, or has actual knowledge of, and shall not proceed with any Work affected thereby until the conflict, error, ambiguity, or discrepancy is resolved by a clarification or interpretation by Engineer, or by an amendment or supplement to the Contract issued pursuant to Paragraph 11.01.
2. *Contractor's Review of Contract Documents:* If, before or during the performance of the Work, Contractor discovers any conflict, error, ambiguity, or discrepancy within the Contract Documents, or between the Contract Documents and (a) any applicable Law or Regulation, (b) actual field conditions, (c) any standard specification, manual, reference standard, or code, or (d) any instruction of any Supplier, then Contractor shall promptly report it to Engineer in writing. Contractor shall not proceed with the Work affected thereby (except in an emergency as required by Paragraph 7.15) until the conflict, error, ambiguity, or discrepancy is resolved, by a clarification or interpretation by Engineer, or by an amendment or supplement to the Contract issued pursuant to Paragraph 11.01.
3. Contractor shall not be liable to Owner or Engineer for failure to report any conflict, error, ambiguity, or discrepancy in the Contract Documents unless Contractor had actual knowledge thereof.

B. *Resolving Discrepancies*

1. Except as may be otherwise specifically stated in the Contract Documents, the provisions of the part of the Contract Documents prepared by or for Engineer take precedence in resolving any conflict, error, ambiguity, or discrepancy between such provisions of the Contract Documents and:
 - a. the provisions of any standard specification, manual, reference standard, or code, or the instruction of any Supplier (whether or not specifically incorporated by reference as a Contract Document); or
 - b. the provisions of any Laws or Regulations applicable to the performance of the Work (unless such an interpretation of the provisions of the Contract Documents would result in violation of such Law or Regulation).

3.04 *Requirements of the Contract Documents*

- A. During the performance of the Work and until final payment, Contractor and Owner shall submit to the Engineer in writing all matters in question concerning the requirements of the Contract Documents (sometimes referred to as requests for information or interpretation—RFIs), or relating to the acceptability of the Work under the Contract Documents, as soon as possible after such matters arise. Engineer will be the initial interpreter of the requirements of the Contract Documents, and judge of the acceptability of the Work.

- B. Engineer will, with reasonable promptness, render a written clarification, interpretation, or decision on the issue submitted, or initiate an amendment or supplement to the Contract Documents. Engineer's written clarification, interpretation, or decision will be final and binding on Contractor, unless it appeals by submitting a Change Proposal, and on Owner, unless it appeals by filing a Claim.
- C. If a submitted matter in question concerns terms and conditions of the Contract Documents that do not involve (1) the performance or acceptability of the Work under the Contract Documents, (2) the design (as set forth in the Drawings, Specifications, or otherwise), or (3) other engineering or technical matters, then Engineer will promptly notify Owner and Contractor in writing that Engineer is unable to provide a decision or interpretation. If Owner and Contractor are unable to agree on resolution of such a matter in question, either party may pursue resolution as provided in Article 12.

3.05 *Reuse of Documents*

- A. Contractor and its Subcontractors and Suppliers shall not:
 - 1. have or acquire any title to or ownership rights in any of the Drawings, Specifications, or other documents (or copies of any thereof) prepared by or bearing the seal of Engineer or its consultants, including electronic media versions, or reuse any such Drawings, Specifications, other documents, or copies thereof on extensions of the Project or any other project without written consent of Owner and Engineer and specific written verification or adaptation by Engineer; or
 - 2. have or acquire any title or ownership rights in any other Contract Documents, reuse any such Contract Documents for any purpose without Owner's express written consent, or violate any copyrights pertaining to such Contract Documents.
- B. The prohibitions of this Paragraph 3.05 will survive final payment, or termination of the Contract. Nothing herein precludes Contractor from retaining copies of the Contract Documents for record purposes.

ARTICLE 4—COMMENCEMENT AND PROGRESS OF THE WORK

4.01 *Commencement of Contract Times; Notice to Proceed*

- A. The Contract Times will commence to run on the 30th day after the Effective Date of the Contract or, if a Notice to Proceed is given, on the day indicated in the Notice to Proceed. A Notice to Proceed may be given at any time within 30 days after the Effective Date of the Contract. In no event will the Contract Times commence to run later than the 60th day after the day of Bid opening or the 30th day after the Effective Date of the Contract, whichever date is earlier.

4.02 *Starting the Work*

- A. Contractor shall start to perform the Work on the date when the Contract Times commence to run. No Work may be done at the Site prior to such date.

4.03 *Reference Points*

- A. Owner shall provide engineering surveys to establish reference points for construction which in Engineer's judgment are necessary to enable Contractor to proceed with the Work. Contractor shall be responsible for laying out the Work, shall protect and preserve the

established reference points and property monuments, and shall make no changes or relocations without the prior written approval of Owner. Contractor shall report to Engineer whenever any reference point or property monument is lost or destroyed or requires relocation because of necessary changes in grades or locations, and shall be responsible for the accurate replacement or relocation of such reference points or property monuments by professionally qualified personnel.

4.04 *Progress Schedule*

- A. Contractor shall adhere to the Progress Schedule established in accordance with Paragraph 2.05 as it may be adjusted from time to time as provided below.
 - 1. Contractor shall submit to Engineer for acceptance (to the extent indicated in Paragraph 2.05) proposed adjustments in the Progress Schedule that will not result in changing the Contract Times.
 - 2. Proposed adjustments in the Progress Schedule that will change the Contract Times must be submitted in accordance with the requirements of Article 11.
- B. Contractor shall carry on the Work and adhere to the Progress Schedule during all disputes or disagreements with Owner. No Work will be delayed or postponed pending resolution of any disputes or disagreements, or during any appeal process, except as permitted by Paragraph 16.04, or as Owner and Contractor may otherwise agree in writing.

4.05 *Delays in Contractor's Progress*

- A. If Owner, Engineer, or anyone for whom Owner is responsible, delays, disrupts, or interferes with the performance or progress of the Work, then Contractor shall be entitled to an equitable adjustment in Contract Price or Contract Times.
- B. Contractor shall not be entitled to an adjustment in Contract Price or Contract Times for delay, disruption, or interference caused by or within the control of Contractor. Delay, disruption, and interference attributable to and within the control of a Subcontractor or Supplier shall be deemed to be within the control of Contractor.
- C. If Contractor's performance or progress is delayed, disrupted, or interfered with by unanticipated causes not the fault of and beyond the control of Owner, Contractor, and those for which they are responsible, then Contractor shall be entitled to an equitable adjustment in Contract Times. Such an adjustment will be Contractor's sole and exclusive remedy for the delays, disruption, and interference described in this paragraph. Causes of delay, disruption, or interference that may give rise to an adjustment in Contract Times under this paragraph include but are not limited to the following:
 - 1. Severe and unavoidable natural catastrophes such as fires, floods, epidemics, and earthquakes;
 - 2. Abnormal weather conditions;
 - 3. Acts or failures to act of third-party utility owners or other third-party entities (other than those third-party utility owners or other third-party entities performing other work at or adjacent to the Site as arranged by or under contract with Owner, as contemplated in Article 8); and
 - 4. Acts of war or terrorism.

- D. Contractor's entitlement to an adjustment of Contract Times or Contract Price is limited as follows:
1. Contractor's entitlement to an adjustment of the Contract Times is conditioned on the delay, disruption, or interference adversely affecting an activity on the critical path to completion of the Work, as of the time of the delay, disruption, or interference.
 2. Contractor shall not be entitled to an adjustment in Contract Price for any delay, disruption, or interference if such delay is concurrent with a delay, disruption, or interference caused by or within the control of Contractor. Such a concurrent delay by Contractor shall not preclude an adjustment of Contract Times to which Contractor is otherwise entitled.
 3. Adjustments of Contract Times or Contract Price are subject to the provisions of Article 11.
- E. Each Contractor request or Change Proposal seeking an increase in Contract Times or Contract Price must be supplemented by supporting data that sets forth in detail the following:
1. The circumstances that form the basis for the requested adjustment;
 2. The date upon which each cause of delay, disruption, or interference began to affect the progress of the Work;
 3. The date upon which each cause of delay, disruption, or interference ceased to affect the progress of the Work;
 4. The number of days' increase in Contract Times claimed as a consequence of each such cause of delay, disruption, or interference; and
 5. The impact on Contract Price, in accordance with the provisions of Paragraph 11.07.
- Contractor shall also furnish such additional supporting documentation as Owner or Engineer may require including, where appropriate, a revised progress schedule indicating all the activities affected by the delay, disruption, or interference, and an explanation of the effect of the delay, disruption, or interference on the critical path to completion of the Work.
- F. Delays, disruption, and interference to the performance or progress of the Work resulting from the existence of a differing subsurface or physical condition, an Underground Facility that was not shown or indicated by the Contract Documents, or not shown or indicated with reasonable accuracy, and those resulting from Hazardous Environmental Conditions, are governed by Article 5, together with the provisions of Paragraphs 4.05.D and 4.05.E.
- G. Paragraph 8.03 addresses delays, disruption, and interference to the performance or progress of the Work resulting from the performance of certain other work at or adjacent to the Site.

ARTICLE 5—SITE; SUBSURFACE AND PHYSICAL CONDITIONS; HAZARDOUS ENVIRONMENTAL CONDITIONS

5.01 *Availability of Lands*

- A. Owner shall furnish the Site. Owner shall notify Contractor in writing of any encumbrances or restrictions not of general application but specifically related to use of the Site with which Contractor must comply in performing the Work.

- B. Upon reasonable written request, Owner shall furnish Contractor with a current statement of record legal title and legal description of the lands upon which permanent improvements are to be made and Owner's interest therein as necessary for giving notice of or filing a mechanic's or construction lien against such lands in accordance with applicable Laws and Regulations.
- C. Contractor shall provide for all additional lands and access thereto that may be required for temporary construction facilities or storage of materials and equipment.

5.02 *Use of Site and Other Areas*

A. *Limitation on Use of Site and Other Areas*

1. Contractor shall confine construction equipment, temporary construction facilities, the storage of materials and equipment, and the operations of workers to the Site, adjacent areas that Contractor has arranged to use through construction easements or otherwise, and other adjacent areas permitted by Laws and Regulations, and shall not unreasonably encumber the Site and such other adjacent areas with construction equipment or other materials or equipment. Contractor shall assume full responsibility for (a) damage to the Site; (b) damage to any such other adjacent areas used for Contractor's operations; (c) damage to any other adjacent land or areas, or to improvements, structures, utilities, or similar facilities located at such adjacent lands or areas; and (d) for injuries and losses sustained by the owners or occupants of any such land or areas; provided that such damage or injuries result from the performance of the Work or from other actions or conduct of the Contractor or those for which Contractor is responsible.
 2. If a damage or injury claim is made by the owner or occupant of any such land or area because of the performance of the Work, or because of other actions or conduct of the Contractor or those for which Contractor is responsible, Contractor shall (a) take immediate corrective or remedial action as required by Paragraph 7.13, or otherwise; (b) promptly attempt to settle the claim as to all parties through negotiations with such owner or occupant, or otherwise resolve the claim by arbitration or other dispute resolution proceeding, or in a court of competent jurisdiction; and (c) to the fullest extent permitted by Laws and Regulations, indemnify and hold harmless Owner and Engineer, and the officers, directors, members, partners, employees, agents, consultants and subcontractors of each and any of them, from and against any such claim, and against all costs, losses, and damages (including but not limited to all fees and charges of engineers, architects, attorneys, and other professionals and all court or arbitration or other dispute resolution costs) arising out of or relating to any claim or action, legal or equitable, brought by any such owner or occupant against Owner, Engineer, or any other party indemnified hereunder to the extent caused directly or indirectly, in whole or in part by, or based upon, Contractor's performance of the Work, or because of other actions or conduct of the Contractor or those for which Contractor is responsible.
- B. *Removal of Debris During Performance of the Work:* During the progress of the Work the Contractor shall keep the Site and other adjacent areas free from accumulations of waste materials, rubbish, and other debris. Removal and disposal of such waste materials, rubbish, and other debris will conform to applicable Laws and Regulations.
 - C. *Cleaning:* Prior to Substantial Completion of the Work Contractor shall clean the Site and the Work and make it ready for utilization by Owner. At the completion of the Work Contractor shall remove from the Site and adjacent areas all tools, appliances, construction equipment

and machinery, and surplus materials and shall restore to original condition all property not designated for alteration by the Contract Documents.

- D. *Loading of Structures:* Contractor shall not load nor permit any part of any structure to be loaded in any manner that will endanger the structure, nor shall Contractor subject any part of the Work or adjacent structures or land to stresses or pressures that will endanger them.

5.03 *Subsurface and Physical Conditions*

- A. *Reports and Drawings:* The Supplementary Conditions identify:

1. Those reports of explorations and tests of subsurface conditions at or adjacent to the Site that contain Technical Data;
2. Those drawings of existing physical conditions at or adjacent to the Site, including those drawings depicting existing surface or subsurface structures at or adjacent to the Site (except Underground Facilities), that contain Technical Data; and
3. Technical Data contained in such reports and drawings.

- B. *Underground Facilities:* Underground Facilities are shown or indicated on the Drawings, pursuant to Paragraph 5.05, and not in the drawings referred to in Paragraph 5.03.A. Information and data regarding the presence or location of Underground Facilities are not intended to be categorized, identified, or defined as Technical Data.

- C. *Reliance by Contractor on Technical Data:* Contractor may rely upon the accuracy of the Technical Data expressly identified in the Supplementary Conditions with respect to such reports and drawings, but such reports and drawings are not Contract Documents. If no such express identification has been made, then Contractor may rely upon the accuracy of the Technical Data as defined in Paragraph 1.01.A.46.b.

- D. *Limitations of Other Data and Documents:* Except for such reliance on Technical Data, Contractor may not rely upon or make any claim against Owner or Engineer, or any of their officers, directors, members, partners, employees, agents, consultants, or subcontractors, with respect to:

1. the completeness of such reports and drawings for Contractor's purposes, including, but not limited to, any aspects of the means, methods, techniques, sequences, and procedures of construction to be employed by Contractor, and safety precautions and programs incident thereto;
2. other data, interpretations, opinions, and information contained in such reports or shown or indicated in such drawings;
3. the contents of other Site-related documents made available to Contractor, such as record drawings from other projects at or adjacent to the Site, or Owner's archival documents concerning the Site; or
4. any Contractor interpretation of or conclusion drawn from any Technical Data or any such other data, interpretations, opinions, or information.

5.04 *Differing Subsurface or Physical Conditions*

- A. *Notice by Contractor:* If Contractor believes that any subsurface or physical condition that is uncovered or revealed at the Site:
1. is of such a nature as to establish that any Technical Data on which Contractor is entitled to rely as provided in Paragraph 5.03 is materially inaccurate;
 2. is of such a nature as to require a change in the Drawings or Specifications;
 3. differs materially from that shown or indicated in the Contract Documents; or
 4. is of an unusual nature, and differs materially from conditions ordinarily encountered and generally recognized as inherent in work of the character provided for in the Contract Documents;

then Contractor shall, promptly after becoming aware thereof and before further disturbing the subsurface or physical conditions or performing any Work in connection therewith (except in an emergency as required by Paragraph 7.15), notify Owner and Engineer in writing about such condition. Contractor shall not further disturb such condition or perform any Work in connection therewith (except with respect to an emergency) until receipt of a written statement permitting Contractor to do so.

- B. *Engineer's Review:* After receipt of written notice as required by the preceding paragraph, Engineer will promptly review the subsurface or physical condition in question; determine whether it is necessary for Owner to obtain additional exploration or tests with respect to the condition; conclude whether the condition falls within any one or more of the differing site condition categories in Paragraph 5.04.A; obtain any pertinent cost or schedule information from Contractor; prepare recommendations to Owner regarding the Contractor's resumption of Work in connection with the subsurface or physical condition in question and the need for any change in the Drawings or Specifications; and advise Owner in writing of Engineer's findings, conclusions, and recommendations.
- C. *Owner's Statement to Contractor Regarding Site Condition:* After receipt of Engineer's written findings, conclusions, and recommendations, Owner shall issue a written statement to Contractor (with a copy to Engineer) regarding the subsurface or physical condition in question, addressing the resumption of Work in connection with such condition, indicating whether any change in the Drawings or Specifications will be made, and adopting or rejecting Engineer's written findings, conclusions, and recommendations, in whole or in part.
- D. *Early Resumption of Work:* If at any time Engineer determines that Work in connection with the subsurface or physical condition in question may resume prior to completion of Engineer's review or Owner's issuance of its statement to Contractor, because the condition in question has been adequately documented, and analyzed on a preliminary basis, then the Engineer may at its discretion instruct Contractor to resume such Work.
- E. *Possible Price and Times Adjustments*
1. Contractor shall be entitled to an equitable adjustment in Contract Price or Contract Times, to the extent that the existence of a differing subsurface or physical condition, or any related delay, disruption, or interference, causes an increase or decrease in

Contractor's cost of, or time required for, performance of the Work; subject, however, to the following:

- a. Such condition must fall within any one or more of the categories described in Paragraph 5.04.A;
 - b. With respect to Work that is paid for on a unit price basis, any adjustment in Contract Price will be subject to the provisions of Paragraph 13.03; and,
 - c. Contractor's entitlement to an adjustment of the Contract Times is subject to the provisions of Paragraphs 4.05.D and 4.05.E.
2. Contractor shall not be entitled to any adjustment in the Contract Price or Contract Times with respect to a subsurface or physical condition if:
- a. Contractor knew of the existence of such condition at the time Contractor made a commitment to Owner with respect to Contract Price and Contract Times by the submission of a Bid or becoming bound under a negotiated contract, or otherwise;
 - b. The existence of such condition reasonably could have been discovered or revealed as a result of any examination, investigation, exploration, test, or study of the Site and contiguous areas expressly required by the Bidding Requirements or Contract Documents to be conducted by or for Contractor prior to Contractor's making such commitment; or
 - c. Contractor failed to give the written notice required by Paragraph 5.04.A.
3. If Owner and Contractor agree regarding Contractor's entitlement to and the amount or extent of any adjustment in the Contract Price or Contract Times, then any such adjustment will be set forth in a Change Order.
4. Contractor may submit a Change Proposal regarding its entitlement to or the amount or extent of any adjustment in the Contract Price or Contract Times, no later than 30 days after Owner's issuance of the Owner's written statement to Contractor regarding the subsurface or physical condition in question.
- F. *Underground Facilities; Hazardous Environmental Conditions:* Paragraph 5.05 governs rights and responsibilities regarding the presence or location of Underground Facilities. Paragraph 5.06 governs rights and responsibilities regarding Hazardous Environmental Conditions. The provisions of Paragraphs 5.03 and 5.04 are not applicable to the presence or location of Underground Facilities, or to Hazardous Environmental Conditions.

5.05 *Underground Facilities*

- A. *Contractor's Responsibilities:* Unless it is otherwise expressly provided in the Supplementary Conditions, the cost of all of the following are included in the Contract Price, and Contractor shall have full responsibility for:
1. reviewing and checking all information and data regarding existing Underground Facilities at the Site;
 2. complying with applicable state and local utility damage prevention Laws and Regulations;

3. verifying the actual location of those Underground Facilities shown or indicated in the Contract Documents as being within the area affected by the Work, by exposing such Underground Facilities during the course of construction;
 4. coordination of the Work with the owners (including Owner) of such Underground Facilities, during construction; and
 5. the safety and protection of all existing Underground Facilities at the Site, and repairing any damage thereto resulting from the Work.
- B. *Notice by Contractor:* If Contractor believes that an Underground Facility that is uncovered or revealed at the Site was not shown or indicated on the Drawings, or was not shown or indicated on the Drawings with reasonable accuracy, then Contractor shall, promptly after becoming aware thereof and before further disturbing conditions affected thereby or performing any Work in connection therewith (except in an emergency as required by Paragraph 7.15), notify Owner and Engineer in writing regarding such Underground Facility.
- C. *Engineer's Review:* Engineer will:
1. promptly review the Underground Facility and conclude whether such Underground Facility was not shown or indicated on the Drawings, or was not shown or indicated with reasonable accuracy;
 2. identify and communicate with the owner of the Underground Facility; prepare recommendations to Owner (and if necessary issue any preliminary instructions to Contractor) regarding the Contractor's resumption of Work in connection with the Underground Facility in question;
 3. obtain any pertinent cost or schedule information from Contractor; determine the extent, if any, to which a change is required in the Drawings or Specifications to reflect and document the consequences of the existence or location of the Underground Facility; and
 4. advise Owner in writing of Engineer's findings, conclusions, and recommendations.

During such time, Contractor shall be responsible for the safety and protection of such Underground Facility.

- D. *Owner's Statement to Contractor Regarding Underground Facility:* After receipt of Engineer's written findings, conclusions, and recommendations, Owner shall issue a written statement to Contractor (with a copy to Engineer) regarding the Underground Facility in question addressing the resumption of Work in connection with such Underground Facility, indicating whether any change in the Drawings or Specifications will be made, and adopting or rejecting Engineer's written findings, conclusions, and recommendations in whole or in part.
- E. *Early Resumption of Work:* If at any time Engineer determines that Work in connection with the Underground Facility may resume prior to completion of Engineer's review or Owner's issuance of its statement to Contractor, because the Underground Facility in question and conditions affected by its presence have been adequately documented, and analyzed on a preliminary basis, then the Engineer may at its discretion instruct Contractor to resume such Work.
- F. *Possible Price and Times Adjustments*
1. Contractor shall be entitled to an equitable adjustment in the Contract Price or Contract Times, to the extent that any existing Underground Facility at the Site that was not shown

or indicated on the Drawings, or was not shown or indicated with reasonable accuracy, or any related delay, disruption, or interference, causes an increase or decrease in Contractor's cost of, or time required for, performance of the Work; subject, however, to the following:

- a. With respect to Work that is paid for on a unit price basis, any adjustment in Contract Price will be subject to the provisions of Paragraph 13.03;
 - b. Contractor's entitlement to an adjustment of the Contract Times is subject to the provisions of Paragraphs 4.05.D and 4.05.E; and
 - c. Contractor gave the notice required in Paragraph 5.05.B.
2. If Owner and Contractor agree regarding Contractor's entitlement to and the amount or extent of any adjustment in the Contract Price or Contract Times, then any such adjustment will be set forth in a Change Order.
 3. Contractor may submit a Change Proposal regarding its entitlement to or the amount or extent of any adjustment in the Contract Price or Contract Times, no later than 30 days after Owner's issuance of the Owner's written statement to Contractor regarding the Underground Facility in question.
 4. The information and data shown or indicated on the Drawings with respect to existing Underground Facilities at the Site is based on information and data (a) furnished by the owners of such Underground Facilities, or by others, (b) obtained from available records, or (c) gathered in an investigation conducted in accordance with the current edition of ASCE 38, Standard Guideline for the Collection and Depiction of Existing Subsurface Utility Data, by the American Society of Civil Engineers. If such information or data is incorrect or incomplete, Contractor's remedies are limited to those set forth in this Paragraph 5.05.F.

5.06 *Hazardous Environmental Conditions at Site*

A. *Reports and Drawings:* The Supplementary Conditions identify:

1. those reports known to Owner relating to Hazardous Environmental Conditions that have been identified at or adjacent to the Site;
2. drawings known to Owner relating to Hazardous Environmental Conditions that have been identified at or adjacent to the Site; and
3. Technical Data contained in such reports and drawings.

B. *Reliance by Contractor on Technical Data Authorized:* Contractor may rely upon the accuracy of the Technical Data expressly identified in the Supplementary Conditions with respect to such reports and drawings, but such reports and drawings are not Contract Documents. If no such express identification has been made, then Contractor may rely on the accuracy of the Technical Data as defined in Paragraph 1.01.A.46.b. Except for such reliance on Technical Data, Contractor may not rely upon or make any claim against Owner or Engineer, or any of their officers, directors, members, partners, employees, agents, consultants, or subcontractors, with respect to:

1. the completeness of such reports and drawings for Contractor's purposes, including, but not limited to, any aspects of the means, methods, techniques, sequences and procedures

- of construction to be employed by Contractor, and safety precautions and programs incident thereto;
2. other data, interpretations, opinions, and information contained in such reports or shown or indicated in such drawings; or
 3. any Contractor interpretation of or conclusion drawn from any Technical Data or any such other data, interpretations, opinions or information.
- C. Contractor shall not be responsible for removing or remediating any Hazardous Environmental Condition encountered, uncovered, or revealed at the Site unless such removal or remediation is expressly identified in the Contract Documents to be within the scope of the Work.
- D. Contractor shall be responsible for controlling, containing, and duly removing all Constituents of Concern brought to the Site by Contractor, Subcontractors, Suppliers, or anyone else for whom Contractor is responsible, and for any associated costs; and for the costs of removing and remediating any Hazardous Environmental Condition created by the presence of any such Constituents of Concern.
- E. If Contractor encounters, uncovers, or reveals a Hazardous Environmental Condition whose removal or remediation is not expressly identified in the Contract Documents as being within the scope of the Work, or if Contractor or anyone for whom Contractor is responsible creates a Hazardous Environmental Condition, then Contractor shall immediately: (1) secure or otherwise isolate such condition; (2) stop all Work in connection with such condition and in any area affected thereby (except in an emergency as required by Paragraph 7.15); and (3) notify Owner and Engineer (and promptly thereafter confirm such notice in writing). Owner shall promptly consult with Engineer concerning the necessity for Owner to retain a qualified expert to evaluate such condition or take corrective action, if any. Promptly after consulting with Engineer, Owner shall take such actions as are necessary to permit Owner to timely obtain required permits and provide Contractor the written notice required by Paragraph 5.06.F. If Contractor or anyone for whom Contractor is responsible created the Hazardous Environmental Condition in question, then Owner may remove and remediate the Hazardous Environmental Condition, and impose a set-off against payments to account for the associated costs.
- F. Contractor shall not resume Work in connection with such Hazardous Environmental Condition or in any affected area until after Owner has obtained any required permits related thereto, and delivered written notice to Contractor either (1) specifying that such condition and any affected area is or has been rendered safe for the resumption of Work, or (2) specifying any special conditions under which such Work may be resumed safely.
- G. If Owner and Contractor cannot agree as to entitlement to or on the amount or extent, if any, of any adjustment in Contract Price or Contract Times, as a result of such Work stoppage, such special conditions under which Work is agreed to be resumed by Contractor, or any costs or expenses incurred in response to the Hazardous Environmental Condition, then within 30 days of Owner's written notice regarding the resumption of Work, Contractor may submit a Change Proposal, or Owner may impose a set-off. Entitlement to any such adjustment is subject to the provisions of Paragraphs 4.05.D, 4.05.E, 11.07, and 11.08.
- H. If, after receipt of such written notice, Contractor does not agree to resume such Work based on a reasonable belief it is unsafe, or does not agree to resume such Work under such special

conditions, then Owner may order the portion of the Work that is in the area affected by such condition to be deleted from the Work, following the contractual change procedures in Article 11. Owner may have such deleted portion of the Work performed by Owner's own forces or others in accordance with Article 8.

- I. To the fullest extent permitted by Laws and Regulations, Owner shall indemnify and hold harmless Contractor, Subcontractors, and Engineer, and the officers, directors, members, partners, employees, agents, consultants, and subcontractors of each and any of them, from and against all claims, costs, losses, and damages (including but not limited to all fees and charges of engineers, architects, attorneys, and other professionals, and all court, arbitration, or other dispute resolution costs) arising out of or relating to a Hazardous Environmental Condition, provided that such Hazardous Environmental Condition (1) was not shown or indicated in the Drawings, Specifications, or other Contract Documents, identified as Technical Data entitled to limited reliance pursuant to Paragraph 5.06.B, or identified in the Contract Documents to be included within the scope of the Work, and (2) was not created by Contractor or by anyone for whom Contractor is responsible. Nothing in this Paragraph 5.06.I obligates Owner to indemnify any individual or entity from and against the consequences of that individual's or entity's own negligence.
- J. To the fullest extent permitted by Laws and Regulations, Contractor shall indemnify and hold harmless Owner and Engineer, and the officers, directors, members, partners, employees, agents, consultants, and subcontractors of each and any of them, from and against all claims, costs, losses, and damages (including but not limited to all fees and charges of engineers, architects, attorneys, and other professionals and all court or arbitration or other dispute resolution costs) arising out of or relating to the failure to control, contain, or remove a Constituent of Concern brought to the Site by Contractor or by anyone for whom Contractor is responsible, or to a Hazardous Environmental Condition created by Contractor or by anyone for whom Contractor is responsible. Nothing in this Paragraph 5.06.J obligates Contractor to indemnify any individual or entity from and against the consequences of that individual's or entity's own negligence.
- K. The provisions of Paragraphs 5.03, 5.04, and 5.05 do not apply to the presence of Constituents of Concern or to a Hazardous Environmental Condition uncovered or revealed at the Site.

ARTICLE 6—BONDS AND INSURANCE

6.01 *Performance, Payment, and Other Bonds*

- A. Contractor shall furnish a performance bond and a payment bond, each in an amount at least equal to the Contract Price, as security for the faithful performance and payment of Contractor's obligations under the Contract. These bonds must remain in effect until one year after the date when final payment becomes due or until completion of the correction period specified in Paragraph 15.08, whichever is later, except as provided otherwise by Laws or Regulations, the terms of a prescribed bond form, the Supplementary Conditions, or other provisions of the Contract.
- B. Contractor shall also furnish such other bonds (if any) as are required by the Supplementary Conditions or other provisions of the Contract.
- C. All bonds must be in the form included in the Bidding Documents or otherwise specified by Owner prior to execution of the Contract, except as provided otherwise by Laws or

- Regulations, and must be issued and signed by a surety named in “Companies Holding Certificates of Authority as Acceptable Sureties on Federal Bonds and as Acceptable Reinsuring Companies” as published in Department Circular 570 (as amended and supplemented) by the Bureau of the Fiscal Service, U.S. Department of the Treasury. A bond signed by an agent or attorney-in-fact must be accompanied by a certified copy of that individual’s authority to bind the surety. The evidence of authority must show that it is effective on the date the agent or attorney-in-fact signed the accompanying bond.
- D. Contractor shall obtain the required bonds from surety companies that are duly licensed or authorized, in the state or jurisdiction in which the Project is located, to issue bonds in the required amounts.
 - E. If the surety on a bond furnished by Contractor is declared bankrupt or becomes insolvent, or the surety ceases to meet the requirements above, then Contractor shall promptly notify Owner and Engineer in writing and shall, within 20 days after the event giving rise to such notification, provide another bond and surety, both of which must comply with the bond and surety requirements above.
 - F. If Contractor has failed to obtain a required bond, Owner may exclude the Contractor from the Site and exercise Owner’s termination rights under Article 16.
 - G. Upon request to Owner from any Subcontractor, Supplier, or other person or entity claiming to have furnished labor, services, materials, or equipment used in the performance of the Work, Owner shall provide a copy of the payment bond to such person or entity.
 - H. Upon request to Contractor from any Subcontractor, Supplier, or other person or entity claiming to have furnished labor, services, materials, or equipment used in the performance of the Work, Contractor shall provide a copy of the payment bond to such person or entity.

6.02 *Insurance—General Provisions*

- A. Owner and Contractor shall obtain and maintain insurance as required in this article and in the Supplementary Conditions.
- B. All insurance required by the Contract to be purchased and maintained by Owner or Contractor shall be obtained from insurance companies that are duly licensed or authorized in the state or jurisdiction in which the Project is located to issue insurance policies for the required limits and coverages. Unless a different standard is indicated in the Supplementary Conditions, all companies that provide insurance policies required under this Contract shall have an A.M. Best rating of A-VII or better.
- C. Alternative forms of insurance coverage, including but not limited to self-insurance and “Occupational Accident and Excess Employer’s Indemnity Policies,” are not sufficient to meet the insurance requirements of this Contract, unless expressly allowed in the Supplementary Conditions.
- D. Contractor shall deliver to Owner, with copies to each additional insured identified in the Contract, certificates of insurance and endorsements establishing that Contractor has obtained and is maintaining the policies and coverages required by the Contract. Upon request by Owner or any other insured, Contractor shall also furnish other evidence of such required insurance, including but not limited to copies of policies, documentation of applicable self-insured retentions (if allowed) and deductibles, full disclosure of all relevant exclusions, and evidence of insurance required to be purchased and maintained by

- Subcontractors or Suppliers. In any documentation furnished under this provision, Contractor, Subcontractors, and Suppliers may block out (redact) (1) any confidential premium or pricing information and (2) any wording specific to a project or jurisdiction other than those applicable to this Contract.
- E. Owner shall deliver to Contractor, with copies to each additional insured identified in the Contract, certificates of insurance and endorsements establishing that Owner has obtained and is maintaining the policies and coverages required of Owner by the Contract (if any). Upon request by Contractor or any other insured, Owner shall also provide other evidence of such required insurance (if any), including but not limited to copies of policies, documentation of applicable self-insured retentions (if allowed) and deductibles, and full disclosure of all relevant exclusions. In any documentation furnished under this provision, Owner may block out (redact) (1) any confidential premium or pricing information and (2) any wording specific to a project or jurisdiction other than those relevant to this Contract.
 - F. Failure of Owner or Contractor to demand such certificates or other evidence of the other party's full compliance with these insurance requirements, or failure of Owner or Contractor to identify a deficiency in compliance from the evidence provided, will not be construed as a waiver of the other party's obligation to obtain and maintain such insurance.
 - G. In addition to the liability insurance required to be provided by Contractor, the Owner, at Owner's option, may purchase and maintain Owner's own liability insurance. Owner's liability policies, if any, operate separately and independently from policies required to be provided by Contractor, and Contractor cannot rely upon Owner's liability policies for any of Contractor's obligations to the Owner, Engineer, or third parties.
 - H. Contractor shall require:
 - 1. Subcontractors to purchase and maintain worker's compensation, commercial general liability, and other insurance that is appropriate for their participation in the Project, and to name as additional insureds Owner and Engineer (and any other individuals or entities identified in the Supplementary Conditions as additional insureds on Contractor's liability policies) on each Subcontractor's commercial general liability insurance policy; and
 - 2. Suppliers to purchase and maintain insurance that is appropriate for their participation in the Project.
 - I. If either party does not purchase or maintain the insurance required of such party by the Contract, such party shall notify the other party in writing of such failure to purchase prior to the start of the Work, or of such failure to maintain prior to any change in the required coverage.
 - J. If Contractor has failed to obtain and maintain required insurance, Contractor's entitlement to enter or remain at the Site will end immediately, and Owner may impose an appropriate set-off against payment for any associated costs (including but not limited to the cost of purchasing necessary insurance coverage), and exercise Owner's termination rights under Article 16.
 - K. Without prejudice to any other right or remedy, if a party has failed to obtain required insurance, the other party may elect (but is in no way obligated) to obtain equivalent insurance to protect such other party's interests at the expense of the party who was required to provide such coverage, and the Contract Price will be adjusted accordingly.

- L. Owner does not represent that insurance coverage and limits established in this Contract necessarily will be adequate to protect Contractor or Contractor's interests. Contractor is responsible for determining whether such coverage and limits are adequate to protect its interests, and for obtaining and maintaining any additional insurance that Contractor deems necessary.
- M. The insurance and insurance limits required herein will not be deemed as a limitation on Contractor's liability, or that of its Subcontractors or Suppliers, under the indemnities granted to Owner and other individuals and entities in the Contract or otherwise.
- N. All the policies of insurance required to be purchased and maintained under this Contract will contain a provision or endorsement that the coverage afforded will not be canceled, or renewal refused, until at least 10 days prior written notice has been given to the purchasing policyholder. Within three days of receipt of any such written notice, the purchasing policyholder shall provide a copy of the notice to each other insured and Engineer.

6.03 *Contractor's Insurance*

- A. *Required Insurance:* Contractor shall purchase and maintain Worker's Compensation, Commercial General Liability, and other insurance pursuant to the specific requirements of the Supplementary Conditions.
- B. *General Provisions:* The policies of insurance required by this Paragraph 6.03 as supplemented must:
 - 1. include at least the specific coverages required;
 - 2. be written for not less than the limits provided, or those required by Laws or Regulations, whichever is greater;
 - 3. remain in effect at least until the Work is complete (as set forth in Paragraph 15.06.D), and longer if expressly required elsewhere in this Contract, and at all times thereafter when Contractor may be correcting, removing, or replacing defective Work as a warranty or correction obligation, or otherwise, or returning to the Site to conduct other tasks arising from the Contract;
 - 4. apply with respect to the performance of the Work, whether such performance is by Contractor, any Subcontractor or Supplier, or by anyone directly or indirectly employed by any of them to perform any of the Work, or by anyone for whose acts any of them may be liable; and
 - 5. include all necessary endorsements to support the stated requirements.
- C. *Additional Insureds:* The Contractor's commercial general liability, automobile liability, employer's liability, umbrella or excess, pollution liability, and unmanned aerial vehicle liability policies, if required by this Contract, must:
 - 1. include and list as additional insureds Owner and Engineer, and any individuals or entities identified as additional insureds in the Supplementary Conditions;
 - 2. include coverage for the respective officers, directors, members, partners, employees, and consultants of all such additional insureds;
 - 3. afford primary coverage to these additional insureds for all claims covered thereby (including as applicable those arising from both ongoing and completed operations);

4. not seek contribution from insurance maintained by the additional insured; and
5. as to commercial general liability insurance, apply to additional insureds with respect to liability caused in whole or in part by Contractor's acts or omissions, or the acts and omissions of those working on Contractor's behalf, in the performance of Contractor's operations.

6.04 *Builder's Risk and Other Property Insurance*

- A. *Builder's Risk*: Unless otherwise provided in the Supplementary Conditions, Contractor shall purchase and maintain builder's risk insurance upon the Work on a completed value basis, in the amount of the Work's full insurable replacement cost (subject to such deductible amounts as may be provided in the Supplementary Conditions or required by Laws and Regulations). The specific requirements applicable to the builder's risk insurance are set forth in the Supplementary Conditions.
- B. *Property Insurance for Facilities of Owner Where Work Will Occur*: Owner is responsible for obtaining and maintaining property insurance covering each existing structure, building, or facility in which any part of the Work will occur, or to which any part of the Work will attach or be adjoined. Such property insurance will be written on a special perils (all-risk) form, on a replacement cost basis, providing coverage consistent with that required for the builder's risk insurance, and will be maintained until the Work is complete, as set forth in Paragraph 15.06.D.
- C. *Property Insurance for Substantially Complete Facilities*: Promptly after Substantial Completion, and before actual occupancy or use of the substantially completed Work, Owner will obtain property insurance for such substantially completed Work, and maintain such property insurance at least until the Work is complete, as set forth in Paragraph 15.06.D. Such property insurance will be written on a special perils (all-risk) form, on a replacement cost basis, and provide coverage consistent with that required for the builder's risk insurance. The builder's risk insurance may terminate upon written confirmation of Owner's procurement of such property insurance.
- D. *Partial Occupancy or Use by Owner*: If Owner will occupy or use a portion or portions of the Work prior to Substantial Completion of all the Work, as provided in Paragraph 15.04, then Owner (directly, if it is the purchaser of the builder's risk policy, or through Contractor) will provide advance notice of such occupancy or use to the builder's risk insurer, and obtain an endorsement consenting to the continuation of coverage prior to commencing such partial occupancy or use.
- E. *Insurance of Other Property; Additional Insurance*: If the express insurance provisions of the Contract do not require or address the insurance of a property item or interest, then the entity or individual owning such property item will be responsible for insuring it. If Contractor elects to obtain other special insurance to be included in or supplement the builder's risk or property insurance policies provided under this Paragraph 6.04, it may do so at Contractor's expense.

6.05 *Property Losses; Subrogation*

- A. The builder's risk insurance policy purchased and maintained in accordance with Paragraph 6.04 (or an installation floater policy if authorized by the Supplementary Conditions), will contain provisions to the effect that in the event of payment of any loss or damage the insurer will have no rights of recovery against any insureds thereunder, or against

Engineer or its consultants, or their officers, directors, members, partners, employees, agents, consultants, or subcontractors.

1. Owner and Contractor waive all rights against each other and the respective officers, directors, members, partners, employees, agents, consultants, and subcontractors of each and any of them, for all losses and damages caused by, arising out of, or resulting from any of the perils, risks, or causes of loss covered by such policies and any other property insurance applicable to the Work; and, in addition, waive all such rights against Engineer, its consultants, all individuals or entities identified in the Supplementary Conditions as builder's risk or installation floater insureds, and the officers, directors, members, partners, employees, agents, consultants, and subcontractors of each and any of them, under such policies for losses and damages so caused.
 2. None of the above waivers extends to the rights that any party making such waiver may have to the proceeds of insurance held by Owner or Contractor as trustee or fiduciary, or otherwise payable under any policy so issued.
- B. Any property insurance policy maintained by Owner covering any loss, damage, or consequential loss to Owner's existing structures, buildings, or facilities in which any part of the Work will occur, or to which any part of the Work will attach or adjoin; to adjacent structures, buildings, or facilities of Owner; or to part or all of the completed or substantially completed Work, during partial occupancy or use pursuant to Paragraph 15.04, after Substantial Completion pursuant to Paragraph 15.03, or after final payment pursuant to Paragraph 15.06, will contain provisions to the effect that in the event of payment of any loss or damage the insurer will have no rights of recovery against any insureds thereunder, or against Contractor, Subcontractors, or Engineer, or the officers, directors, members, partners, employees, agents, consultants, or subcontractors of each and any of them, and that the insured is allowed to waive the insurer's rights of subrogation in a written contract executed prior to the loss, damage, or consequential loss.
1. Owner waives all rights against Contractor, Subcontractors, and Engineer, and the officers, directors, members, partners, employees, agents, consultants and subcontractors of each and any of them, for all losses and damages caused by, arising out of, or resulting from fire or any of the perils, risks, or causes of loss covered by such policies.
- C. The waivers in this Paragraph 6.05 include the waiver of rights due to business interruption, loss of use, or other consequential loss extending beyond direct physical loss or damage to Owner's property or the Work caused by, arising out of, or resulting from fire or other insured peril, risk, or cause of loss.
- D. Contractor shall be responsible for assuring that each Subcontract contains provisions whereby the Subcontractor waives all rights against Owner, Contractor, all individuals or entities identified in the Supplementary Conditions as insureds, the Engineer and its consultants, and the officers, directors, members, partners, employees, agents, consultants, and subcontractors of each and any of them, for all losses and damages caused by, arising out of, relating to, or resulting from fire or other peril, risk, or cause of loss covered by builder's risk insurance, installation floater, and any other property insurance applicable to the Work.

6.06 *Receipt and Application of Property Insurance Proceeds*

- A. Any insured loss under the builder's risk and other policies of property insurance required by Paragraph 6.04 will be adjusted and settled with the named insured that purchased the policy. Such named insured shall act as fiduciary for the other insureds, and give notice to such other insureds that adjustment and settlement of a claim is in progress. Any other insured may state its position regarding a claim for insured loss in writing within 15 days after notice of such claim.
- B. Proceeds for such insured losses may be made payable by the insurer either jointly to multiple insureds, or to the named insured that purchased the policy in its own right and as fiduciary for other insureds, subject to the requirements of any applicable mortgage clause. A named insured receiving insurance proceeds under the builder's risk and other policies of insurance required by Paragraph 6.04 shall maintain such proceeds in a segregated account, and distribute such proceeds in accordance with such agreement as the parties in interest may reach, or as otherwise required under the dispute resolution provisions of this Contract or applicable Laws and Regulations.
- C. If no other special agreement is reached, Contractor shall repair or replace the damaged Work, using allocated insurance proceeds.

ARTICLE 7—CONTRACTOR'S RESPONSIBILITIES

7.01 *Contractor's Means and Methods of Construction*

- A. Contractor shall be solely responsible for the means, methods, techniques, sequences, and procedures of construction.
- B. If the Contract Documents note, or Contractor determines, that professional engineering or other design services are needed to carry out Contractor's responsibilities for construction means, methods, techniques, sequences, and procedures, or for Site safety, then Contractor shall cause such services to be provided by a properly licensed design professional, at Contractor's expense. Such services are not Owner-delegated professional design services under this Contract, and neither Owner nor Engineer has any responsibility with respect to (1) Contractor's determination of the need for such services, (2) the qualifications or licensing of the design professionals retained or employed by Contractor, (3) the performance of such services, or (4) any errors, omissions, or defects in such services.

7.02 *Supervision and Superintendence*

- A. Contractor shall supervise, inspect, and direct the Work competently and efficiently, devoting such attention thereto and applying such skills and expertise as may be necessary to perform the Work in accordance with the Contract Documents.
- B. At all times during the progress of the Work, Contractor shall assign a competent resident superintendent who will not be replaced without written notice to Owner and Engineer except under extraordinary circumstances.

7.03 *Labor; Working Hours*

- A. Contractor shall provide competent, suitably qualified personnel to survey and lay out the Work and perform construction as required by the Contract Documents. Contractor shall maintain good discipline and order at the Site.

- B. Contractor shall be fully responsible to Owner and Engineer for all acts and omissions of Contractor's employees; of Suppliers and Subcontractors, and their employees; and of any other individuals or entities performing or furnishing any of the Work, just as Contractor is responsible for Contractor's own acts and omissions.
- C. Except as otherwise required for the safety or protection of persons or the Work or property at the Site or adjacent thereto, and except as otherwise stated in the Contract Documents, all Work at the Site will be performed during regular working hours, Monday through Friday. Contractor will not perform Work on a Saturday, Sunday, or any legal holiday. Contractor may perform Work outside regular working hours or on Saturdays, Sundays, or legal holidays only with Owner's written consent, which will not be unreasonably withheld.

7.04 *Services, Materials, and Equipment*

- A. Unless otherwise specified in the Contract Documents, Contractor shall provide and assume full responsibility for all services, materials, equipment, labor, transportation, construction equipment and machinery, tools, appliances, fuel, power, light, heat, telephone, water, sanitary facilities, temporary facilities, and all other facilities and incidentals necessary for the performance, testing, start up, and completion of the Work, whether or not such items are specifically called for in the Contract Documents.
- B. All materials and equipment incorporated into the Work must be new and of good quality, except as otherwise provided in the Contract Documents. All special warranties and guarantees required by the Specifications will expressly run to the benefit of Owner. If required by Engineer, Contractor shall furnish satisfactory evidence (including reports of required tests) as to the source, kind, and quality of materials and equipment.
- C. All materials and equipment must be stored, applied, installed, connected, erected, protected, used, cleaned, and conditioned in accordance with instructions of the applicable Supplier, except as otherwise may be provided in the Contract Documents.

7.05 *"Or Equals"*

- A. *Contractor's Request; Governing Criteria:* Whenever an item of equipment or material is specified or described in the Contract Documents by using the names of one or more proprietary items or specific Suppliers, the Contract Price has been based upon Contractor furnishing such item as specified. The specification or description of such an item is intended to establish the type, function, appearance, and quality required. Unless the specification or description contains or is followed by words reading that no like, equivalent, or "or equal" item is permitted, Contractor may request that Engineer authorize the use of other items of equipment or material, or items from other proposed Suppliers, under the circumstances described below.
 - 1. If Engineer in its sole discretion determines that an item of equipment or material proposed by Contractor is functionally equal to that named and sufficiently similar so that no change in related Work will be required, Engineer will deem it an "or equal" item. For the purposes of this paragraph, a proposed item of equipment or material will be considered functionally equal to an item so named if:
 - a. in the exercise of reasonable judgment Engineer determines that the proposed item:
 - 1) is at least equal in materials of construction, quality, durability, appearance, strength, and design characteristics;

- 2) will reliably perform at least equally well the function and achieve the results imposed by the design concept of the completed Project as a functioning whole;
 - 3) has a proven record of performance and availability of responsive service; and
 - 4) is not objectionable to Owner.
- b. Contractor certifies that, if the proposed item is approved and incorporated into the Work:
- 1) there will be no increase in cost to the Owner or increase in Contract Times; and
 - 2) the item will conform substantially to the detailed requirements of the item named in the Contract Documents.
- B. *Contractor's Expense:* Contractor shall provide all data in support of any proposed "or equal" item at Contractor's expense.
- C. *Engineer's Evaluation and Determination:* Engineer will be allowed a reasonable time to evaluate each "or-equal" request. Engineer may require Contractor to furnish additional data about the proposed "or-equal" item. Engineer will be the sole judge of acceptability. No "or-equal" item will be ordered, furnished, installed, or utilized until Engineer's review is complete and Engineer determines that the proposed item is an "or-equal," which will be evidenced by an approved Shop Drawing or other written communication. Engineer will advise Contractor in writing of any negative determination.
- D. *Effect of Engineer's Determination:* Neither approval nor denial of an "or-equal" request will result in any change in Contract Price. The Engineer's denial of an "or-equal" request will be final and binding, and may not be reversed through an appeal under any provision of the Contract.
- E. *Treatment as a Substitution Request:* If Engineer determines that an item of equipment or material proposed by Contractor does not qualify as an "or-equal" item, Contractor may request that Engineer consider the item a proposed substitute pursuant to Paragraph 7.06.

7.06 *Substitutes*

- A. *Contractor's Request; Governing Criteria:* Unless the specification or description of an item of equipment or material required to be furnished under the Contract Documents contains or is followed by words reading that no substitution is permitted, Contractor may request that Engineer authorize the use of other items of equipment or material under the circumstances described below. To the extent possible such requests must be made before commencement of related construction at the Site.
1. Contractor shall submit sufficient information as provided below to allow Engineer to determine if the item of material or equipment proposed is functionally equivalent to that named and an acceptable substitute therefor. Engineer will not accept requests for review of proposed substitute items of equipment or material from anyone other than Contractor.
 2. The requirements for review by Engineer will be as set forth in Paragraph 7.06.B, as supplemented by the Specifications, and as Engineer may decide is appropriate under the circumstances.

3. Contractor shall make written application to Engineer for review of a proposed substitute item of equipment or material that Contractor seeks to furnish or use. The application:
 - a. will certify that the proposed substitute item will:
 - 1) perform adequately the functions and achieve the results called for by the general design;
 - 2) be similar in substance to the item specified; and
 - 3) be suited to the same use as the item specified.
 - b. will state:
 - 1) the extent, if any, to which the use of the proposed substitute item will necessitate a change in Contract Times;
 - 2) whether use of the proposed substitute item in the Work will require a change in any of the Contract Documents (or in the provisions of any other direct contract with Owner for other work on the Project) to adapt the design to the proposed substitute item; and
 - 3) whether incorporation or use of the proposed substitute item in connection with the Work is subject to payment of any license fee or royalty.
 - c. will identify:
 - 1) all variations of the proposed substitute item from the item specified; and
 - 2) available engineering, sales, maintenance, repair, and replacement services.
 - d. will contain an itemized estimate of all costs or credits that will result directly or indirectly from use of such substitute item, including but not limited to changes in Contract Price, shared savings, costs of redesign, and claims of other contractors affected by any resulting change.
- B. *Engineer's Evaluation and Determination:* Engineer will be allowed a reasonable time to evaluate each substitute request, and to obtain comments and direction from Owner. Engineer may require Contractor to furnish additional data about the proposed substitute item. Engineer will be the sole judge of acceptability. No substitute will be ordered, furnished, installed, or utilized until Engineer's review is complete and Engineer determines that the proposed item is an acceptable substitute. Engineer's determination will be evidenced by a Field Order or a proposed Change Order accounting for the substitution itself and all related impacts, including changes in Contract Price or Contract Times. Engineer will advise Contractor in writing of any negative determination.
- C. *Special Guarantee:* Owner may require Contractor to furnish at Contractor's expense a special performance guarantee or other surety with respect to any substitute.
- D. *Reimbursement of Engineer's Cost:* Engineer will record Engineer's costs in evaluating a substitute proposed or submitted by Contractor. Whether or not Engineer approves a substitute so proposed or submitted by Contractor, Contractor shall reimburse Owner for the reasonable charges of Engineer for evaluating each such proposed substitute. Contractor shall also reimburse Owner for the reasonable charges of Engineer for making changes in the Contract Documents (or in the provisions of any other direct contract with Owner) resulting from the acceptance of each proposed substitute.

- E. *Contractor's Expense*: Contractor shall provide all data in support of any proposed substitute at Contractor's expense.
- F. *Effect of Engineer's Determination*: If Engineer approves the substitution request, Contractor shall execute the proposed Change Order and proceed with the substitution. The Engineer's denial of a substitution request will be final and binding, and may not be reversed through an appeal under any provision of the Contract. Contractor may challenge the scope of reimbursement costs imposed under Paragraph 7.06.D, by timely submittal of a Change Proposal.

7.07 *Concerning Subcontractors and Suppliers*

- A. Contractor may retain Subcontractors and Suppliers for the performance of parts of the Work. Such Subcontractors and Suppliers must be acceptable to Owner. The Contractor's retention of a Subcontractor or Supplier for the performance of parts of the Work will not relieve Contractor's obligation to Owner to perform and complete the Work in accordance with the Contract Documents.
- B. Contractor shall retain specific Subcontractors and Suppliers for the performance of designated parts of the Work if required by the Contract to do so.
- C. Subsequent to the submittal of Contractor's Bid or final negotiation of the terms of the Contract, Owner may not require Contractor to retain any Subcontractor or Supplier to furnish or perform any of the Work against which Contractor has reasonable objection.
- D. Prior to entry into any binding subcontract or purchase order, Contractor shall submit to Owner the identity of the proposed Subcontractor or Supplier (unless Owner has already deemed such proposed Subcontractor or Supplier acceptable during the bidding process or otherwise). Such proposed Subcontractor or Supplier shall be deemed acceptable to Owner unless Owner raises a substantive, reasonable objection within 5 days.
- E. Owner may require the replacement of any Subcontractor or Supplier. Owner also may require Contractor to retain specific replacements; provided, however, that Owner may not require a replacement to which Contractor has a reasonable objection. If Contractor has submitted the identity of certain Subcontractors or Suppliers for acceptance by Owner, and Owner has accepted it (either in writing or by failing to make written objection thereto), then Owner may subsequently revoke the acceptance of any such Subcontractor or Supplier so identified solely on the basis of substantive, reasonable objection after due investigation. Contractor shall submit an acceptable replacement for the rejected Subcontractor or Supplier.
- F. If Owner requires the replacement of any Subcontractor or Supplier retained by Contractor to perform any part of the Work, then Contractor shall be entitled to an adjustment in Contract Price or Contract Times, with respect to the replacement; and Contractor shall initiate a Change Proposal for such adjustment within 30 days of Owner's requirement of replacement.
- G. No acceptance by Owner of any such Subcontractor or Supplier, whether initially or as a replacement, will constitute a waiver of the right of Owner to the completion of the Work in accordance with the Contract Documents.

- H. On a monthly basis, Contractor shall submit to Engineer a complete list of all Subcontractors and Suppliers having a direct contract with Contractor, and of all other Subcontractors and Suppliers known to Contractor at the time of submittal.
- I. Contractor shall be solely responsible for scheduling and coordinating the work of Subcontractors and Suppliers.
- J. The divisions and sections of the Specifications and the identifications of any Drawings do not control Contractor in dividing the Work among Subcontractors or Suppliers, or in delineating the Work to be performed by any specific trade.
- K. All Work performed for Contractor by a Subcontractor or Supplier must be pursuant to an appropriate contractual agreement that specifically binds the Subcontractor or Supplier to the applicable terms and conditions of the Contract for the benefit of Owner and Engineer.
- L. Owner may furnish to any Subcontractor or Supplier, to the extent practicable, information about amounts paid to Contractor for Work performed for Contractor by the Subcontractor or Supplier.
- M. Contractor shall restrict all Subcontractors and Suppliers from communicating with Engineer or Owner, except through Contractor or in case of an emergency, or as otherwise expressly allowed in this Contract.

7.08 *Patent Fees and Royalties*

- A. Contractor shall pay all license fees and royalties and assume all costs incident to the use in the performance of the Work or the incorporation in the Work of any invention, design, process, product, or device which is the subject of patent rights or copyrights held by others. If an invention, design, process, product, or device is specified in the Contract Documents for use in the performance of the Work and if, to the actual knowledge of Owner or Engineer, its use is subject to patent rights or copyrights calling for the payment of any license fee or royalty to others, the existence of such rights will be disclosed in the Contract Documents.
- B. To the fullest extent permitted by Laws and Regulations, Owner shall indemnify and hold harmless Contractor, and its officers, directors, members, partners, employees, agents, consultants, and subcontractors, from and against all claims, costs, losses, and damages (including but not limited to all fees and charges of engineers, architects, attorneys, and other professionals, and all court or arbitration or other dispute resolution costs) arising out of or relating to any infringement of patent rights or copyrights incident to the use in the performance of the Work or resulting from the incorporation in the Work of any invention, design, process, product, or device specified in the Contract Documents, but not identified as being subject to payment of any license fee or royalty to others required by patent rights or copyrights.
- C. To the fullest extent permitted by Laws and Regulations, Contractor shall indemnify and hold harmless Owner and Engineer, and the officers, directors, members, partners, employees, agents, consultants and subcontractors of each and any of them, from and against all claims, costs, losses, and damages (including but not limited to all fees and charges of engineers, architects, attorneys, and other professionals and all court or arbitration or other dispute resolution costs) arising out of or relating to any infringement of patent rights or copyrights incident to the use in the performance of the Work or resulting from the incorporation in the Work of any invention, design, process, product, or device not specified in the Contract Documents.

7.09 *Permits*

- A. Unless otherwise provided in the Contract Documents, Contractor shall obtain and pay for all construction permits, licenses, and certificates of occupancy. Owner shall assist Contractor, when necessary, in obtaining such permits and licenses. Contractor shall pay all governmental charges and inspection fees necessary for the prosecution of the Work which are applicable at the time of the submission of Contractor's Bid (or when Contractor became bound under a negotiated contract). Owner shall pay all charges of utility owners for connections for providing permanent service to the Work.

7.10 *Taxes*

- A. Contractor shall pay all sales, consumer, use, and other similar taxes required to be paid by Contractor in accordance with the Laws and Regulations of the place of the Project which are applicable during the performance of the Work.

7.11 *Laws and Regulations*

- A. Contractor shall give all notices required by and shall comply with all Laws and Regulations applicable to the performance of the Work. Neither Owner nor Engineer shall be responsible for monitoring Contractor's compliance with any Laws or Regulations.
- B. If Contractor performs any Work or takes any other action knowing or having reason to know that it is contrary to Laws or Regulations, Contractor shall bear all resulting costs and losses, and shall indemnify and hold harmless Owner and Engineer, and the officers, directors, members, partners, employees, agents, consultants, and subcontractors of each and any of them, from and against all claims, costs, losses, and damages (including but not limited to all fees and charges of engineers, architects, attorneys, and other professionals and all court or arbitration or other dispute resolution costs) arising out of or relating to such Work or other action. It is not Contractor's responsibility to make certain that the Work described in the Contract Documents is in accordance with Laws and Regulations, but this does not relieve Contractor of its obligations under Paragraph 3.03.
- C. Owner or Contractor may give written notice to the other party of any changes after the submission of Contractor's Bid (or after the date when Contractor became bound under a negotiated contract) in Laws or Regulations having an effect on the cost or time of performance of the Work, including but not limited to changes in Laws or Regulations having an effect on procuring permits and on sales, use, value-added, consumption, and other similar taxes. If Owner and Contractor are unable to agree on entitlement to or on the amount or extent, if any, of any adjustment in Contract Price or Contract Times resulting from such changes, then within 30 days of such written notice Contractor may submit a Change Proposal, or Owner may initiate a Claim.

7.12 *Record Documents*

- A. Contractor shall maintain in a safe place at the Site one printed record copy of all Drawings, Specifications, Addenda, Change Orders, Work Change Directives, Field Orders, written interpretations and clarifications, and approved Shop Drawings. Contractor shall keep such record documents in good order and annotate them to show changes made during construction. These record documents, together with all approved Samples, will be available to Engineer for reference. Upon completion of the Work, Contractor shall deliver these record documents to Engineer.

7.13 *Safety and Protection*

- A. Contractor shall be solely responsible for initiating, maintaining, and supervising all safety precautions and programs in connection with the Work. Such responsibility does not relieve Subcontractors of their responsibility for the safety of persons or property in the performance of their work, nor for compliance with applicable safety Laws and Regulations.
- B. Contractor shall designate a qualified and experienced safety representative whose duties and responsibilities are the prevention of Work-related accidents and the maintenance and supervision of safety precautions and programs.
- C. Contractor shall take all necessary precautions for the safety of, and shall provide the necessary protection to prevent damage, injury, or loss to:
 - 1. all persons on the Site or who may be affected by the Work;
 - 2. all the Work and materials and equipment to be incorporated therein, whether in storage on or off the Site; and
 - 3. other property at the Site or adjacent thereto, including trees, shrubs, lawns, walks, pavements, roadways, structures, other work in progress, utilities, and Underground Facilities not designated for removal, relocation, or replacement in the course of construction.
- D. All damage, injury, or loss to any property referred to in Paragraph 7.13.C.2 or 7.13.C.3 caused, directly or indirectly, in whole or in part, by Contractor, any Subcontractor, Supplier, or any other individual or entity directly or indirectly employed by any of them to perform any of the Work, or anyone for whose acts any of them may be liable, shall be remedied by Contractor at its expense (except damage or loss attributable to the fault of Drawings or Specifications or to the acts or omissions of Owner or Engineer or anyone employed by any of them, or anyone for whose acts any of them may be liable, and not attributable, directly or indirectly, in whole or in part, to the fault or negligence of Contractor or any Subcontractor, Supplier, or other individual or entity directly or indirectly employed by any of them).
- E. Contractor shall comply with all applicable Laws and Regulations relating to the safety of persons or property, or to the protection of persons or property from damage, injury, or loss; and shall erect and maintain all necessary safeguards for such safety and protection.
- F. Contractor shall notify Owner; the owners of adjacent property; the owners of Underground Facilities and other utilities (if the identity of such owners is known to Contractor); and other contractors and utility owners performing work at or adjacent to the Site, in writing, when Contractor knows that prosecution of the Work may affect them, and shall cooperate with them in the protection, removal, relocation, and replacement of their property or work in progress.
- G. Contractor shall comply with the applicable requirements of Owner's safety programs, if any. Any Owner's safety programs that are applicable to the Work are identified or included in the Supplementary Conditions or Specifications.
- H. Contractor shall inform Owner and Engineer of the specific requirements of Contractor's safety program with which Owner's and Engineer's employees and representatives must comply while at the Site.

- I. Contractor's duties and responsibilities for safety and protection will continue until all the Work is completed, Engineer has issued a written notice to Owner and Contractor in accordance with Paragraph 15.06.C that the Work is acceptable, and Contractor has left the Site (except as otherwise expressly provided in connection with Substantial Completion).
- J. Contractor's duties and responsibilities for safety and protection will resume whenever Contractor or any Subcontractor or Supplier returns to the Site to fulfill warranty or correction obligations, or to conduct other tasks arising from the Contract Documents.

7.14 *Hazard Communication Programs*

- A. Contractor shall be responsible for coordinating any exchange of safety data sheets (formerly known as material safety data sheets) or other hazard communication information required to be made available to or exchanged between or among employers at the Site in accordance with Laws or Regulations.

7.15 *Emergencies*

- A. In emergencies affecting the safety or protection of persons or the Work or property at the Site or adjacent thereto, Contractor is obligated to act to prevent damage, injury, or loss. Contractor shall give Engineer prompt written notice if Contractor believes that any significant changes in the Work or variations from the Contract Documents have been caused by an emergency, or are required as a result of Contractor's response to an emergency. If Engineer determines that a change in the Contract Documents is required because of an emergency or Contractor's response, a Work Change Directive or Change Order will be issued.

7.16 *Submittals*

A. *Shop Drawing and Sample Requirements*

- 1. Before submitting a Shop Drawing or Sample, Contractor shall:
 - a. review and coordinate the Shop Drawing or Sample with other Shop Drawings and Samples and with the requirements of the Work and the Contract Documents;
 - b. determine and verify:
 - 1) all field measurements, quantities, dimensions, specified performance and design criteria, installation requirements, materials, catalog numbers, and similar information with respect to the Submittal;
 - 2) the suitability of all materials and equipment offered with respect to the indicated application, fabrication, shipping, handling, storage, assembly, and installation pertaining to the performance of the Work; and
 - 3) all information relative to Contractor's responsibilities for means, methods, techniques, sequences, and procedures of construction, and safety precautions and programs incident thereto;
 - c. confirm that the Submittal is complete with respect to all related data included in the Submittal.
- 2. Each Shop Drawing or Sample must bear a stamp or specific written certification that Contractor has satisfied Contractor's obligations under the Contract Documents with respect to Contractor's review of that Submittal, and that Contractor approves the Submittal.

3. With each Shop Drawing or Sample, Contractor shall give Engineer specific written notice of any variations that the Submittal may have from the requirements of the Contract Documents. This notice must be set forth in a written communication separate from the Submittal; and, in addition, in the case of a Shop Drawing by a specific notation made on the Shop Drawing itself.
- B. *Submittal Procedures for Shop Drawings and Samples:* Contractor shall label and submit Shop Drawings and Samples to Engineer for review and approval in accordance with the accepted Schedule of Submittals.
1. *Shop Drawings*
 - a. Contractor shall submit the number of copies required in the Specifications.
 - b. Data shown on the Shop Drawings must be complete with respect to quantities, dimensions, specified performance and design criteria, materials, and similar data to show Engineer the services, materials, and equipment Contractor proposes to provide, and to enable Engineer to review the information for the limited purposes required by Paragraph 7.16.C.
 2. *Samples*
 - a. Contractor shall submit the number of Samples required in the Specifications.
 - b. Contractor shall clearly identify each Sample as to material, Supplier, pertinent data such as catalog numbers, the use for which intended and other data as Engineer may require to enable Engineer to review the Submittal for the limited purposes required by Paragraph 7.16.C.
 3. Where a Shop Drawing or Sample is required by the Contract Documents or the Schedule of Submittals, any related Work performed prior to Engineer's review and approval of the pertinent submittal will be at the sole expense and responsibility of Contractor.
- C. *Engineer's Review of Shop Drawings and Samples*
1. Engineer will provide timely review of Shop Drawings and Samples in accordance with the accepted Schedule of Submittals. Engineer's review and approval will be only to determine if the items covered by the Submittals will, after installation or incorporation in the Work, comply with the requirements of the Contract Documents, and be compatible with the design concept of the completed Project as a functioning whole as indicated by the Contract Documents.
 2. Engineer's review and approval will not extend to means, methods, techniques, sequences, or procedures of construction, or to safety precautions or programs incident thereto.
 3. Engineer's review and approval of a separate item as such will not indicate approval of the assembly in which the item functions.
 4. Engineer's review and approval of a Shop Drawing or Sample will not relieve Contractor from responsibility for any variation from the requirements of the Contract Documents unless Contractor has complied with the requirements of Paragraph 7.16.A.3 and Engineer has given written approval of each such variation by specific written notation thereof incorporated in or accompanying the Shop Drawing or Sample. Engineer will

document any such approved variation from the requirements of the Contract Documents in a Field Order or other appropriate Contract modification.

5. Engineer's review and approval of a Shop Drawing or Sample will not relieve Contractor from responsibility for complying with the requirements of Paragraphs 7.16.A and B.
6. Engineer's review and approval of a Shop Drawing or Sample, or of a variation from the requirements of the Contract Documents, will not, under any circumstances, change the Contract Times or Contract Price, unless such changes are included in a Change Order.
7. Neither Engineer's receipt, review, acceptance, or approval of a Shop Drawing or Sample will result in such item becoming a Contract Document.
8. Contractor shall perform the Work in compliance with the requirements and commitments set forth in approved Shop Drawings and Samples, subject to the provisions of Paragraph 7.16.C.4.

D. Resubmittal Procedures for Shop Drawings and Samples

1. Contractor shall make corrections required by Engineer and shall return the required number of corrected copies of Shop Drawings and submit, as required, new Samples for review and approval. Contractor shall direct specific attention in writing to revisions other than the corrections called for by Engineer on previous Submittals.
2. Contractor shall furnish required Shop Drawing and Sample submittals with sufficient information and accuracy to obtain required approval of an item with no more than two resubmittals. Engineer will record Engineer's time for reviewing a third or subsequent resubmittal of a Shop Drawing or Sample, and Contractor shall be responsible for Engineer's charges to Owner for such time. Owner may impose a set-off against payments due Contractor to secure reimbursement for such charges.
3. If Contractor requests a change of a previously approved Shop Drawing or Sample, Contractor shall be responsible for Engineer's charges to Owner for its review time, and Owner may impose a set-off against payments due Contractor to secure reimbursement for such charges, unless the need for such change is beyond the control of Contractor.

E. Submittals Other than Shop Drawings, Samples, and Owner-Delegated Designs

1. The following provisions apply to all Submittals other than Shop Drawings, Samples, and Owner-delegated designs:
 - a. Contractor shall submit all such Submittals to the Engineer in accordance with the Schedule of Submittals and pursuant to the applicable terms of the Contract Documents.
 - b. Engineer will provide timely review of all such Submittals in accordance with the Schedule of Submittals and return such Submittals with a notation of either Accepted or Not Accepted. Any such Submittal that is not returned within the time established in the Schedule of Submittals will be deemed accepted.
 - c. Engineer's review will be only to determine if the Submittal is acceptable under the requirements of the Contract Documents as to general form and content of the Submittal.

- d. If any such Submittal is not accepted, Contractor shall confer with Engineer regarding the reason for the non-acceptance, and resubmit an acceptable document.
 2. Procedures for the submittal and acceptance of the Progress Schedule, the Schedule of Submittals, and the Schedule of Values are set forth in Paragraphs 2.03, 2.04, and 2.05.
- F. Owner-delegated Designs: Submittals pursuant to Owner-delegated designs are governed by the provisions of Paragraph 7.19.

7.17 Contractor's General Warranty and Guarantee

- A. Contractor warrants and guarantees to Owner that all Work will be in accordance with the Contract Documents and will not be defective. Engineer is entitled to rely on Contractor's warranty and guarantee.
- B. Owner's rights under this warranty and guarantee are in addition to, and are not limited by, Owner's rights under the correction period provisions of Paragraph 15.08. The time in which Owner may enforce its warranty and guarantee rights under this Paragraph 7.17 is limited only by applicable Laws and Regulations restricting actions to enforce such rights; provided, however, that after the end of the correction period under Paragraph 15.08:
1. Owner shall give Contractor written notice of any defective Work within 60 days of the discovery that such Work is defective; and
 2. Such notice will be deemed the start of an event giving rise to a Claim under Paragraph 12.01.B, such that any related Claim must be brought within 30 days of the notice.
- C. Contractor's warranty and guarantee hereunder excludes defects or damage caused by:
1. abuse, or improper modification, maintenance, or operation, by persons other than Contractor, Subcontractors, Suppliers, or any other individual or entity for whom Contractor is responsible; or
 2. normal wear and tear under normal usage.
- D. Contractor's obligation to perform and complete the Work in accordance with the Contract Documents is absolute. None of the following will constitute an acceptance of Work that is not in accordance with the Contract Documents, a release of Contractor's obligation to perform the Work in accordance with the Contract Documents, or a release of Owner's warranty and guarantee rights under this Paragraph 7.17:
1. Observations by Engineer;
 2. Recommendation by Engineer or payment by Owner of any progress or final payment;
 3. The issuance of a certificate of Substantial Completion by Engineer or any payment related thereto by Owner;
 4. Use or occupancy of the Work or any part thereof by Owner;
 5. Any review and approval of a Shop Drawing or Sample submittal;
 6. The issuance of a notice of acceptability by Engineer;
 7. The end of the correction period established in Paragraph 15.08;
 8. Any inspection, test, or approval by others; or

9. Any correction of defective Work by Owner.
- E. If the Contract requires the Contractor to accept the assignment of a contract entered into by Owner, then the specific warranties, guarantees, and correction obligations contained in the assigned contract will govern with respect to Contractor's performance obligations to Owner for the Work described in the assigned contract.

7.18 *Indemnification*

- A. To the fullest extent permitted by Laws and Regulations, and in addition to any other obligations of Contractor under the Contract or otherwise, Contractor shall indemnify and hold harmless Owner and Engineer, and the officers, directors, members, partners, employees, agents, consultants and subcontractors of each and any of them, from losses, damages, costs, and judgments (including but not limited to all fees and charges of engineers, architects, attorneys, and other professionals, and all court or arbitration or other dispute resolution costs) arising from third-party claims or actions relating to or resulting from the performance or furnishing of the Work, provided that any such claim, action, loss, cost, judgment or damage is attributable to bodily injury, sickness, disease, or death, or to damage to or destruction of tangible property (other than the Work itself), including the loss of use resulting therefrom, but only to the extent caused by any negligent act or omission of Contractor, any Subcontractor, any Supplier, or any individual or entity directly or indirectly employed by any of them to perform any of the Work, or anyone for whose acts any of them may be liable.
- B. In any and all claims against Owner or Engineer, or any of their officers, directors, members, partners, employees, agents, consultants, or subcontractors, by any employee (or the survivor or personal representative of such employee) of Contractor, any Subcontractor, any Supplier, or any individual or entity directly or indirectly employed by any of them to perform any of the Work, or anyone for whose acts any of them may be liable, the indemnification obligation under Paragraph 7.18.A will not be limited in any way by any limitation on the amount or type of damages, compensation, or benefits payable by or for Contractor or any such Subcontractor, Supplier, or other individual or entity under workers' compensation acts, disability benefit acts, or other employee benefit acts.

7.19 *Delegation of Professional Design Services*

- A. Owner may require Contractor to provide professional design services for a portion of the Work by express delegation in the Contract Documents. Such delegation will specify the performance and design criteria that such services must satisfy, and the Submittals that Contractor must furnish to Engineer with respect to the Owner-delegated design.
- B. Contractor shall cause such Owner-delegated professional design services to be provided pursuant to the professional standard of care by a properly licensed design professional, whose signature and seal must appear on all drawings, calculations, specifications, certifications, and Submittals prepared by such design professional. Such design professional must issue all certifications of design required by Laws and Regulations.
- C. If a Shop Drawing or other Submittal related to the Owner-delegated design is prepared by Contractor, a Subcontractor, or others for submittal to Engineer, then such Shop Drawing or other Submittal must bear the written approval of Contractor's design professional when submitted by Contractor to Engineer.

- D. Owner and Engineer shall be entitled to rely upon the adequacy, accuracy, and completeness of the services, certifications, and approvals performed or provided by the design professionals retained or employed by Contractor under an Owner-delegated design, subject to the professional standard of care and the performance and design criteria stated in the Contract Documents.
- E. Pursuant to this Paragraph 7.19, Engineer's review, approval, and other determinations regarding design drawings, calculations, specifications, certifications, and other Submittals furnished by Contractor pursuant to an Owner-delegated design will be only for the following limited purposes:
 - 1. Checking for conformance with the requirements of this Paragraph 7.19;
 - 2. Confirming that Contractor (through its design professionals) has used the performance and design criteria specified in the Contract Documents; and
 - 3. Establishing that the design furnished by Contractor is consistent with the design concept expressed in the Contract Documents.
- F. Contractor shall not be responsible for the adequacy of performance or design criteria specified by Owner or Engineer.
- G. Contractor is not required to provide professional services in violation of applicable Laws and Regulations.

ARTICLE 8—OTHER WORK AT THE SITE

8.01 *Other Work*

- A. In addition to and apart from the Work under the Contract Documents, the Owner may perform other work at or adjacent to the Site. Such other work may be performed by Owner's employees, or through contracts between the Owner and third parties. Owner may also arrange to have third-party utility owners perform work on their utilities and facilities at or adjacent to the Site.
- B. If Owner performs other work at or adjacent to the Site with Owner's employees, or through contracts for such other work, then Owner shall give Contractor written notice thereof prior to starting any such other work. If Owner has advance information regarding the start of any third-party utility work that Owner has arranged to take place at or adjacent to the Site, Owner shall provide such information to Contractor.
- C. Contractor shall afford proper and safe access to the Site to each contractor that performs such other work, each utility owner performing other work, and Owner, if Owner is performing other work with Owner's employees, and provide a reasonable opportunity for the introduction and storage of materials and equipment and the execution of such other work.
- D. Contractor shall do all cutting, fitting, and patching of the Work that may be required to properly connect or otherwise make its several parts come together and properly integrate with such other work. Contractor shall not endanger any work of others by cutting, excavating, or otherwise altering such work; provided, however, that Contractor may cut or alter others' work with the written consent of Engineer and the others whose work will be affected.

- E. If the proper execution or results of any part of Contractor's Work depends upon work performed by others, Contractor shall inspect such other work and promptly report to Engineer in writing any delays, defects, or deficiencies in such other work that render it unavailable or unsuitable for the proper execution and results of Contractor's Work. Contractor's failure to so report will constitute an acceptance of such other work as fit and proper for integration with Contractor's Work except for latent defects and deficiencies in such other work.
- F. The provisions of this article are not applicable to work that is performed by third-party utilities or other third-party entities without a contract with Owner, or that is performed without having been arranged by Owner. If such work occurs, then any related delay, disruption, or interference incurred by Contractor is governed by the provisions of Paragraph 4.05.C.3.

8.02 *Coordination*

- A. If Owner intends to contract with others for the performance of other work at or adjacent to the Site, to perform other work at or adjacent to the Site with Owner's employees, or to arrange to have utility owners perform work at or adjacent to the Site, the following will be set forth in the Supplementary Conditions or provided to Contractor prior to the start of any such other work:
 - 1. The identity of the individual or entity that will have authority and responsibility for coordination of the activities among the various contractors;
 - 2. An itemization of the specific matters to be covered by such authority and responsibility; and
 - 3. The extent of such authority and responsibilities.
- B. Unless otherwise provided in the Supplementary Conditions, Owner shall have sole authority and responsibility for such coordination.

8.03 *Legal Relationships*

- A. If, in the course of performing other work for Owner at or adjacent to the Site, the Owner's employees, any other contractor working for Owner, or any utility owner that Owner has arranged to perform work, causes damage to the Work or to the property of Contractor or its Subcontractors, or delays, disrupts, interferes with, or increases the scope or cost of the performance of the Work, through actions or inaction, then Contractor shall be entitled to an equitable adjustment in the Contract Price or the Contract Times. Contractor must submit any Change Proposal seeking an equitable adjustment in the Contract Price or the Contract Times under this paragraph within 30 days of the damaging, delaying, disrupting, or interfering event. The entitlement to, and extent of, any such equitable adjustment will take into account information (if any) regarding such other work that was provided to Contractor in the Contract Documents prior to the submittal of the Bid or the final negotiation of the terms of the Contract, and any remedies available to Contractor under Laws or Regulations concerning utility action or inaction. When applicable, any such equitable adjustment in Contract Price will be conditioned on Contractor assigning to Owner all Contractor's rights against such other contractor or utility owner with respect to the damage, delay, disruption, or interference that is the subject of the adjustment. Contractor's entitlement to an adjustment of the Contract Times or Contract Price is subject to the provisions of Paragraphs 4.05.D and 4.05.E.

- B. Contractor shall take reasonable and customary measures to avoid damaging, delaying, disrupting, or interfering with the work of Owner, any other contractor, or any utility owner performing other work at or adjacent to the Site.
 - 1. If Contractor fails to take such measures and as a result damages, delays, disrupts, or interferes with the work of any such other contractor or utility owner, then Owner may impose a set-off against payments due Contractor, and assign to such other contractor or utility owner the Owner's contractual rights against Contractor with respect to the breach of the obligations set forth in this Paragraph 8.03.B.
 - 2. When Owner is performing other work at or adjacent to the Site with Owner's employees, Contractor shall be liable to Owner for damage to such other work, and for the reasonable direct delay, disruption, and interference costs incurred by Owner as a result of Contractor's failure to take reasonable and customary measures with respect to Owner's other work. In response to such damage, delay, disruption, or interference, Owner may impose a set-off against payments due Contractor.
- C. If Contractor damages, delays, disrupts, or interferes with the work of any other contractor, or any utility owner performing other work at or adjacent to the Site, through Contractor's failure to take reasonable and customary measures to avoid such impacts, or if any claim arising out of Contractor's actions, inactions, or negligence in performance of the Work at or adjacent to the Site is made by any such other contractor or utility owner against Contractor, Owner, or Engineer, then Contractor shall (1) promptly attempt to settle the claim as to all parties through negotiations with such other contractor or utility owner, or otherwise resolve the claim by arbitration or other dispute resolution proceeding or at law, and (2) indemnify and hold harmless Owner and Engineer, and the officers, directors, members, partners, employees, agents, consultants and subcontractors of each and any of them from and against any such claims, and against all costs, losses, and damages (including but not limited to all fees and charges of engineers, architects, attorneys, and other professionals and all court or arbitration or other dispute resolution costs) arising out of or relating to such damage, delay, disruption, or interference.

ARTICLE 9—OWNER'S RESPONSIBILITIES

9.01 *Communications to Contractor*

- A. Except as otherwise provided in these General Conditions, Owner shall issue all communications to Contractor through Engineer.

9.02 *Replacement of Engineer*

- A. Owner may at its discretion appoint an engineer to replace Engineer, provided Contractor makes no reasonable objection to the replacement engineer. The replacement engineer's status under the Contract Documents will be that of the former Engineer.

9.03 *Furnish Data*

- A. Owner shall promptly furnish the data required of Owner under the Contract Documents.

9.04 *Pay When Due*

- A. Owner shall make payments to Contractor when they are due as provided in the Agreement.

- 9.05 *Lands and Easements; Reports, Tests, and Drawings*
- A. Owner's duties with respect to providing lands and easements are set forth in Paragraph 5.01.
 - B. Owner's duties with respect to providing engineering surveys to establish reference points are set forth in Paragraph 4.03.
 - C. Article 5 refers to Owner's identifying and making available to Contractor copies of reports of explorations and tests of conditions at the Site, and drawings of physical conditions relating to existing surface or subsurface structures at the Site.
- 9.06 *Insurance*
- A. Owner's responsibilities, if any, with respect to purchasing and maintaining liability and property insurance are set forth in Article 6.
- 9.07 *Change Orders*
- A. Owner's responsibilities with respect to Change Orders are set forth in Article 11.
- 9.08 *Inspections, Tests, and Approvals*
- A. Owner's responsibility with respect to certain inspections, tests, and approvals is set forth in Paragraph 14.02.B.
- 9.09 *Limitations on Owner's Responsibilities*
- A. The Owner shall not supervise, direct, or have control or authority over, nor be responsible for, Contractor's means, methods, techniques, sequences, or procedures of construction, or the safety precautions and programs incident thereto, or for any failure of Contractor to comply with Laws and Regulations applicable to the performance of the Work. Owner will not be responsible for Contractor's failure to perform the Work in accordance with the Contract Documents.
- 9.10 *Undisclosed Hazardous Environmental Condition*
- A. Owner's responsibility in respect to an undisclosed Hazardous Environmental Condition is set forth in Paragraph 5.06.
- 9.11 *Evidence of Financial Arrangements*
- A. Upon request of Contractor, Owner shall furnish Contractor reasonable evidence that financial arrangements have been made to satisfy Owner's obligations under the Contract (including obligations under proposed changes in the Work).
- 9.12 *Safety Programs*
- A. While at the Site, Owner's employees and representatives shall comply with the specific applicable requirements of Contractor's safety programs of which Owner has been informed.
 - B. Owner shall furnish copies of any applicable Owner safety programs to Contractor.

ARTICLE 10—ENGINEER'S STATUS DURING CONSTRUCTION

10.01 *Owner's Representative*

- A. Engineer will be Owner's representative during the construction period. The duties and responsibilities and the limitations of authority of Engineer as Owner's representative during construction are set forth in the Contract.

10.02 *Visits to Site*

- A. Engineer will make visits to the Site at intervals appropriate to the various stages of construction as Engineer deems necessary in order to observe, as an experienced and qualified design professional, the progress that has been made and the quality of the various aspects of Contractor's executed Work. Based on information obtained during such visits and observations, Engineer, for the benefit of Owner, will determine, in general, if the Work is proceeding in accordance with the Contract Documents. Engineer will not be required to make exhaustive or continuous inspections on the Site to check the quality or quantity of the Work. Engineer's efforts will be directed toward providing for Owner a greater degree of confidence that the completed Work will conform generally to the Contract Documents. On the basis of such visits and observations, Engineer will keep Owner informed of the progress of the Work and will endeavor to guard Owner against defective Work.
- B. Engineer's visits and observations are subject to all the limitations on Engineer's authority and responsibility set forth in Paragraph 10.07. Particularly, but without limitation, during or as a result of Engineer's visits or observations of Contractor's Work, Engineer will not supervise, direct, control, or have authority over or be responsible for Contractor's means, methods, techniques, sequences, or procedures of construction, or the safety precautions and programs incident thereto, or for any failure of Contractor to comply with Laws and Regulations applicable to the performance of the Work.

10.03 *Resident Project Representative*

- A. If Owner and Engineer have agreed that Engineer will furnish a Resident Project Representative to represent Engineer at the Site and assist Engineer in observing the progress and quality of the Work, then the authority and responsibilities of any such Resident Project Representative will be as provided in the Supplementary Conditions, and limitations on the responsibilities thereof will be as provided in the Supplementary Conditions and in Paragraph 10.07.
- B. If Owner designates an individual or entity who is not Engineer's consultant, agent, or employee to represent Owner at the Site, then the responsibilities and authority of such individual or entity will be as provided in the Supplementary Conditions.

10.04 *Engineer's Authority*

- A. Engineer has the authority to reject Work in accordance with Article 14.
- B. Engineer's authority as to Submittals is set forth in Paragraph 7.16.
- C. Engineer's authority as to design drawings, calculations, specifications, certifications and other Submittals from Contractor in response to Owner's delegation (if any) to Contractor of professional design services, is set forth in Paragraph 7.19.
- D. Engineer's authority as to changes in the Work is set forth in Article 11.

E. Engineer's authority as to Applications for Payment is set forth in Article 15.

10.05 *Determinations for Unit Price Work*

A. Engineer will determine the actual quantities and classifications of Unit Price Work performed by Contractor as set forth in Paragraph 13.03.

10.06 *Decisions on Requirements of Contract Documents and Acceptability of Work*

A. Engineer will render decisions regarding the requirements of the Contract Documents, and judge the acceptability of the Work, pursuant to the specific procedures set forth herein for initial interpretations, Change Proposals, and acceptance of the Work. In rendering such decisions and judgments, Engineer will not show partiality to Owner or Contractor, and will not be liable to Owner, Contractor, or others in connection with any proceedings, interpretations, decisions, or judgments conducted or rendered in good faith.

10.07 *Limitations on Engineer's Authority and Responsibilities*

A. Neither Engineer's authority or responsibility under this Article 10 or under any other provision of the Contract, nor any decision made by Engineer in good faith either to exercise or not exercise such authority or responsibility or the undertaking, exercise, or performance of any authority or responsibility by Engineer, will create, impose, or give rise to any duty in contract, tort, or otherwise owed by Engineer to Contractor, any Subcontractor, any Supplier, any other individual or entity, or to any surety for or employee or agent of any of them.

B. Engineer will not supervise, direct, control, or have authority over or be responsible for Contractor's means, methods, techniques, sequences, or procedures of construction, or the safety precautions and programs incident thereto, or for any failure of Contractor to comply with Laws and Regulations applicable to the performance of the Work. Engineer will not be responsible for Contractor's failure to perform the Work in accordance with the Contract Documents.

C. Engineer will not be responsible for the acts or omissions of Contractor or of any Subcontractor, any Supplier, or of any other individual or entity performing any of the Work.

D. Engineer's review of the final Application for Payment and accompanying documentation, and all maintenance and operating instructions, schedules, guarantees, bonds, certificates of inspection, tests and approvals, and other documentation required to be delivered by Contractor under Paragraph 15.06.A, will only be to determine generally that their content complies with the requirements of, and in the case of certificates of inspections, tests, and approvals, that the results certified indicate compliance with the Contract Documents.

E. The limitations upon authority and responsibility set forth in this Paragraph 10.07 also apply to the Resident Project Representative, if any.

10.08 *Compliance with Safety Program*

A. While at the Site, Engineer's employees and representatives will comply with the specific applicable requirements of Owner's and Contractor's safety programs of which Engineer has been informed.

ARTICLE 11—CHANGES TO THE CONTRACT

11.01 *Amending and Supplementing the Contract*

- A. The Contract may be amended or supplemented by a Change Order, a Work Change Directive, or a Field Order.
- B. If an amendment or supplement to the Contract includes a change in the Contract Price or the Contract Times, such amendment or supplement must be set forth in a Change Order.
- C. All changes to the Contract that involve (1) the performance or acceptability of the Work, (2) the design (as set forth in the Drawings, Specifications, or otherwise), or (3) other engineering or technical matters, must be supported by Engineer's recommendation. Owner and Contractor may amend other terms and conditions of the Contract without the recommendation of the Engineer.

11.02 *Change Orders*

- A. Owner and Contractor shall execute appropriate Change Orders covering:
 - 1. Changes in Contract Price or Contract Times which are agreed to by the parties, including any undisputed sum or amount of time for Work actually performed in accordance with a Work Change Directive;
 - 2. Changes in Contract Price resulting from an Owner set-off, unless Contractor has duly contested such set-off;
 - 3. Changes in the Work which are: (a) ordered by Owner pursuant to Paragraph 11.05, (b) required because of Owner's acceptance of defective Work under Paragraph 14.04 or Owner's correction of defective Work under Paragraph 14.07, or (c) agreed to by the parties, subject to the need for Engineer's recommendation if the change in the Work involves the design (as set forth in the Drawings, Specifications, or otherwise) or other engineering or technical matters; and
 - 4. Changes that embody the substance of any final and binding results under: Paragraph 11.03.B, resolving the impact of a Work Change Directive; Paragraph 11.09, concerning Change Proposals; Article 12, Claims; Paragraph 13.02.D, final adjustments resulting from allowances; Paragraph 13.03.D, final adjustments relating to determination of quantities for Unit Price Work; and similar provisions.
- B. If Owner or Contractor refuses to execute a Change Order that is required to be executed under the terms of Paragraph 11.02.A, it will be deemed to be of full force and effect, as if fully executed.

11.03 *Work Change Directives*

- A. A Work Change Directive will not change the Contract Price or the Contract Times but is evidence that the parties expect that the modification ordered or documented by a Work Change Directive will be incorporated in a subsequently issued Change Order, following negotiations by the parties as to the Work Change Directive's effect, if any, on the Contract Price and Contract Times; or, if negotiations are unsuccessful, by a determination under the terms of the Contract Documents governing adjustments, expressly including Paragraph 11.07 regarding change of Contract Price.

- B. If Owner has issued a Work Change Directive and:
 - 1. Contractor believes that an adjustment in Contract Times or Contract Price is necessary, then Contractor shall submit any Change Proposal seeking such an adjustment no later than 30 days after the completion of the Work set out in the Work Change Directive.
 - 2. Owner believes that an adjustment in Contract Times or Contract Price is necessary, then Owner shall submit any Claim seeking such an adjustment no later than 60 days after issuance of the Work Change Directive.

11.04 *Field Orders*

- A. Engineer may authorize minor changes in the Work if the changes do not involve an adjustment in the Contract Price or the Contract Times and are compatible with the design concept of the completed Project as a functioning whole as indicated by the Contract Documents. Such changes will be accomplished by a Field Order and will be binding on Owner and also on Contractor, which shall perform the Work involved promptly.
- B. If Contractor believes that a Field Order justifies an adjustment in the Contract Price or Contract Times, then before proceeding with the Work at issue, Contractor shall submit a Change Proposal as provided herein.

11.05 *Owner-Authorized Changes in the Work*

- A. Without invalidating the Contract and without notice to any surety, Owner may, at any time or from time to time, order additions, deletions, or revisions in the Work. Changes involving the design (as set forth in the Drawings, Specifications, or otherwise) or other engineering or technical matters will be supported by Engineer's recommendation.
- B. Such changes in the Work may be accomplished by a Change Order, if Owner and Contractor have agreed as to the effect, if any, of the changes on Contract Times or Contract Price; or by a Work Change Directive. Upon receipt of any such document, Contractor shall promptly proceed with the Work involved; or, in the case of a deletion in the Work, promptly cease construction activities with respect to such deleted Work. Added or revised Work must be performed under the applicable conditions of the Contract Documents.
- C. Nothing in this Paragraph 11.05 obligates Contractor to undertake work that Contractor reasonably concludes cannot be performed in a manner consistent with Contractor's safety obligations under the Contract Documents or Laws and Regulations.

11.06 *Unauthorized Changes in the Work*

- A. Contractor shall not be entitled to an increase in the Contract Price or an extension of the Contract Times with respect to any work performed that is not required by the Contract Documents, as amended, modified, or supplemented, except in the case of an emergency as provided in Paragraph 7.15 or in the case of uncovering Work as provided in Paragraph 14.05.C.2.

11.07 *Change of Contract Price*

- A. The Contract Price may only be changed by a Change Order. Any Change Proposal for an adjustment in the Contract Price must comply with the provisions of Paragraph 11.09. Any Claim for an adjustment of Contract Price must comply with the provisions of Article 12.
- B. An adjustment in the Contract Price will be determined as follows:

1. Where the Work involved is covered by unit prices contained in the Contract Documents, then by application of such unit prices to the quantities of the items involved (subject to the provisions of Paragraph 13.03);
 2. Where the Work involved is not covered by unit prices contained in the Contract Documents, then by a mutually agreed lump sum (which may include an allowance for overhead and profit not necessarily in accordance with Paragraph 11.07.C.2); or
 3. Where the Work involved is not covered by unit prices contained in the Contract Documents and the parties do not reach mutual agreement to a lump sum, then on the basis of the Cost of the Work (determined as provided in Paragraph 13.01) plus a Contractor's fee for overhead and profit (determined as provided in Paragraph 11.07.C).
- C. *Contractor's Fee:* When applicable, the Contractor's fee for overhead and profit will be determined as follows:
1. A mutually acceptable fixed fee; or
 2. If a fixed fee is not agreed upon, then a fee based on the following percentages of the various portions of the Cost of the Work:
 - a. For costs incurred under Paragraphs 13.01.B.1 and 13.01.B.2, the Contractor's fee will be 15 percent;
 - b. For costs incurred under Paragraph 13.01.B.3, the Contractor's fee will be 5 percent;
 - c. Where one or more tiers of subcontracts are on the basis of Cost of the Work plus a fee and no fixed fee is agreed upon, the intent of Paragraphs 11.07.C.2.a and 11.07.C.2.b is that the Contractor's fee will be based on: (1) a fee of 15 percent of the costs incurred under Paragraphs 13.01.B.1 and 13.01.B.2 by the Subcontractor that actually performs the Work, at whatever tier, and (2) with respect to Contractor itself and to any Subcontractors of a tier higher than that of the Subcontractor that actually performs the Work, a fee of 5 percent of the amount (fee plus underlying costs incurred) attributable to the next lower tier Subcontractor; provided, however, that for any such subcontracted Work the maximum total fee to be paid by Owner will be no greater than 27 percent of the costs incurred by the Subcontractor that actually performs the Work;
 - d. No fee will be payable on the basis of costs itemized under Paragraphs 13.01.B.4, 13.01.B.5, and 13.01.C;
 - e. The amount of credit to be allowed by Contractor to Owner for any change which results in a net decrease in Cost of the Work will be the amount of the actual net decrease in Cost of the Work and a deduction of an additional amount equal to 5 percent of such actual net decrease in Cost of the Work; and
 - f. When both additions and credits are involved in any one change or Change Proposal, the adjustment in Contractor's fee will be computed by determining the sum of the costs in each of the cost categories in Paragraph 13.01.B (specifically, payroll costs, Paragraph 13.01.B.1; incorporated materials and equipment costs, Paragraph 13.01.B.2; Subcontract costs, Paragraph 13.01.B.3; special consultants costs, Paragraph 13.01.B.4; and other costs, Paragraph 13.01.B.5) and applying to each such cost category sum the appropriate fee from Paragraphs 11.07.C.2.a through 11.07.C.2.e, inclusive.

11.08 *Change of Contract Times*

- A. The Contract Times may only be changed by a Change Order. Any Change Proposal for an adjustment in the Contract Times must comply with the provisions of Paragraph 11.09. Any Claim for an adjustment in the Contract Times must comply with the provisions of Article 12.
- B. Delay, disruption, and interference in the Work, and any related changes in Contract Times, are addressed in and governed by Paragraph 4.05.

11.09 *Change Proposals*

A. *Purpose and Content:* Contractor shall submit a Change Proposal to Engineer to request an adjustment in the Contract Times or Contract Price; contest an initial decision by Engineer concerning the requirements of the Contract Documents or relating to the acceptability of the Work under the Contract Documents; challenge a set-off against payment due; or seek other relief under the Contract. The Change Proposal will specify any proposed change in Contract Times or Contract Price, or other proposed relief, and explain the reason for the proposed change, with citations to any governing or applicable provisions of the Contract Documents. Each Change Proposal will address only one issue, or a set of closely related issues.

B. *Change Proposal Procedures*

1. *Submittal:* Contractor shall submit each Change Proposal to Engineer within 30 days after the start of the event giving rise thereto, or after such initial decision.
2. *Supporting Data:* The Contractor shall submit supporting data, including the proposed change in Contract Price or Contract Time (if any), to the Engineer and Owner within 15 days after the submittal of the Change Proposal.
 - a. Change Proposals based on or related to delay, interruption, or interference must comply with the provisions of Paragraphs 4.05.D and 4.05.E.
 - b. Change proposals related to a change of Contract Price must include full and detailed accounts of materials incorporated into the Work and labor and equipment used for the subject Work.

The supporting data must be accompanied by a written statement that the supporting data are accurate and complete, and that any requested time or price adjustment is the entire adjustment to which Contractor believes it is entitled as a result of said event.

3. *Engineer's Initial Review:* Engineer will advise Owner regarding the Change Proposal, and consider any comments or response from Owner regarding the Change Proposal. If in its discretion Engineer concludes that additional supporting data is needed before conducting a full review and making a decision regarding the Change Proposal, then Engineer may request that Contractor submit such additional supporting data by a date specified by Engineer, prior to Engineer beginning its full review of the Change Proposal.
4. *Engineer's Full Review and Action on the Change Proposal:* Upon receipt of Contractor's supporting data (including any additional data requested by Engineer), Engineer will conduct a full review of each Change Proposal and, within 30 days after such receipt of the Contractor's supporting data, either approve the Change Proposal in whole, deny it in whole, or approve it in part and deny it in part. Such actions must be in writing, with a copy provided to Owner and Contractor. If Engineer does not take action on the Change

Proposal within 30 days, then either Owner or Contractor may at any time thereafter submit a letter to the other party indicating that as a result of Engineer's inaction the Change Proposal is deemed denied, thereby commencing the time for appeal of the denial under Article 12.

5. *Binding Decision*: Engineer's decision is final and binding upon Owner and Contractor, unless Owner or Contractor appeals the decision by filing a Claim under Article 12.
- C. *Resolution of Certain Change Proposals*: If the Change Proposal does not involve the design (as set forth in the Drawings, Specifications, or otherwise), the acceptability of the Work, or other engineering or technical matters, then Engineer will notify the parties in writing that the Engineer is unable to resolve the Change Proposal. For purposes of further resolution of such a Change Proposal, such notice will be deemed a denial, and Contractor may choose to seek resolution under the terms of Article 12.
- D. *Post-Completion*: Contractor shall not submit any Change Proposals after Engineer issues a written recommendation of final payment pursuant to Paragraph 15.06.B.

11.10 *Notification to Surety*

- A. If the provisions of any bond require notice to be given to a surety of any change affecting the general scope of the Work or the provisions of the Contract Documents (including, but not limited to, Contract Price or Contract Times), the giving of any such notice will be Contractor's responsibility. The amount of each applicable bond will be adjusted to reflect the effect of any such change.

ARTICLE 12—CLAIMS

12.01 *Claims*

- A. *Claims Process*: The following disputes between Owner and Contractor are subject to the Claims process set forth in this article:
 1. Appeals by Owner or Contractor of Engineer's decisions regarding Change Proposals;
 2. Owner demands for adjustments in the Contract Price or Contract Times, or other relief under the Contract Documents;
 3. Disputes that Engineer has been unable to address because they do not involve the design (as set forth in the Drawings, Specifications, or otherwise), the acceptability of the Work, or other engineering or technical matters; and
 4. Subject to the waiver provisions of Paragraph 15.07, any dispute arising after Engineer has issued a written recommendation of final payment pursuant to Paragraph 15.06.B.
- B. *Submittal of Claim*: The party submitting a Claim shall deliver it directly to the other party to the Contract promptly (but in no event later than 30 days) after the start of the event giving rise thereto; in the case of appeals regarding Change Proposals within 30 days of the decision under appeal. The party submitting the Claim shall also furnish a copy to the Engineer, for its information only. The responsibility to substantiate a Claim rests with the party making the Claim. In the case of a Claim by Contractor seeking an increase in the Contract Times or Contract Price, Contractor shall certify that the Claim is made in good faith, that the supporting data are accurate and complete, and that to the best of Contractor's knowledge

and belief the amount of time or money requested accurately reflects the full amount to which Contractor is entitled.

- C. *Review and Resolution*: The party receiving a Claim shall review it thoroughly, giving full consideration to its merits. The two parties shall seek to resolve the Claim through the exchange of information and direct negotiations. The parties may extend the time for resolving the Claim by mutual agreement. All actions taken on a Claim will be stated in writing and submitted to the other party, with a copy to Engineer.
- D. *Mediation*
 - 1. At any time after initiation of a Claim, Owner and Contractor may mutually agree to mediation of the underlying dispute. The agreement to mediate will stay the Claim submittal and response process.
 - 2. If Owner and Contractor agree to mediation, then after 60 days from such agreement, either Owner or Contractor may unilaterally terminate the mediation process, and the Claim submittal and decision process will resume as of the date of the termination. If the mediation proceeds but is unsuccessful in resolving the dispute, the Claim submittal and decision process will resume as of the date of the conclusion of the mediation, as determined by the mediator.
 - 3. Owner and Contractor shall each pay one-half of the mediator's fees and costs.
- E. *Partial Approval*: If the party receiving a Claim approves the Claim in part and denies it in part, such action will be final and binding unless within 30 days of such action the other party invokes the procedure set forth in Article 17 for final resolution of disputes.
- F. *Denial of Claim*: If efforts to resolve a Claim are not successful, the party receiving the Claim may deny it by giving written notice of denial to the other party. If the receiving party does not take action on the Claim within 90 days, then either Owner or Contractor may at any time thereafter submit a letter to the other party indicating that as a result of the inaction, the Claim is deemed denied, thereby commencing the time for appeal of the denial. A denial of the Claim will be final and binding unless within 30 days of the denial the other party invokes the procedure set forth in Article 17 for the final resolution of disputes.
- G. *Final and Binding Results*: If the parties reach a mutual agreement regarding a Claim, whether through approval of the Claim, direct negotiations, mediation, or otherwise; or if a Claim is approved in part and denied in part, or denied in full, and such actions become final and binding; then the results of the agreement or action on the Claim will be incorporated in a Change Order or other written document to the extent they affect the Contract, including the Work, the Contract Times, or the Contract Price.

ARTICLE 13—COST OF THE WORK; ALLOWANCES; UNIT PRICE WORK

13.01 *Cost of the Work*

- A. *Purposes for Determination of Cost of the Work*: The term Cost of the Work means the sum of all costs necessary for the proper performance of the Work at issue, as further defined below. The provisions of this Paragraph 13.01 are used for two distinct purposes:
 - 1. To determine Cost of the Work when Cost of the Work is a component of the Contract Price, under cost-plus-fee, time-and-materials, or other cost-based terms; or

2. When needed to determine the value of a Change Order, Change Proposal, Claim, set-off, or other adjustment in Contract Price. When the value of any such adjustment is determined on the basis of Cost of the Work, Contractor is entitled only to those additional or incremental costs required because of the change in the Work or because of the event giving rise to the adjustment.
- B. *Costs Included:* Except as otherwise may be agreed to in writing by Owner, costs included in the Cost of the Work will be in amounts no higher than those commonly incurred in the locality of the Project, will not include any of the costs itemized in Paragraph 13.01.C, and will include only the following items:
1. Payroll costs for employees in the direct employ of Contractor in the performance of the Work under schedules of job classifications agreed upon by Owner and Contractor in advance of the subject Work. Such employees include, without limitation, superintendents, foremen, safety managers, safety representatives, and other personnel employed full time on the Work. Payroll costs for employees not employed full time on the Work will be apportioned on the basis of their time spent on the Work. Payroll costs include, but are not limited to, salaries and wages plus the cost of fringe benefits, which include social security contributions, unemployment, excise, and payroll taxes, workers' compensation, health and retirement benefits, sick leave, and vacation and holiday pay applicable thereto. The expenses of performing Work outside of regular working hours, on Saturday, Sunday, or legal holidays, will be included in the above to the extent authorized by Owner.
 2. Cost of all materials and equipment furnished and incorporated in the Work, including costs of transportation and storage thereof, and Suppliers' field services required in connection therewith. All cash discounts accrue to Contractor unless Owner deposits funds with Contractor with which to make payments, in which case the cash discounts will accrue to Owner. All trade discounts, rebates, and refunds and returns from sale of surplus materials and equipment will accrue to Owner, and Contractor shall make provisions so that they may be obtained.
 3. Payments made by Contractor to Subcontractors for Work performed by Subcontractors. If required by Owner, Contractor shall obtain competitive bids from subcontractors acceptable to Owner and Contractor and shall deliver such bids to Owner, which will then determine, with the advice of Engineer, which bids, if any, will be acceptable. If any subcontract provides that the Subcontractor is to be paid on the basis of Cost of the Work plus a fee, the Subcontractor's Cost of the Work and fee will be determined in the same manner as Contractor's Cost of the Work and fee as provided in this Paragraph 13.01.
 4. Costs of special consultants (including but not limited to engineers, architects, testing laboratories, surveyors, attorneys, and accountants) employed or retained for services specifically related to the Work.
 5. Other costs consisting of the following:
 - a. The proportion of necessary transportation, travel, and subsistence expenses of Contractor's employees incurred in discharge of duties connected with the Work.
 - b. Cost, including transportation and maintenance, of all materials, supplies, equipment, machinery, appliances, office, and temporary facilities at the Site, which are

consumed in the performance of the Work, and cost, less market value, of such items used but not consumed which remain the property of Contractor.

- 1) In establishing included costs for materials such as scaffolding, plating, or sheeting, consideration will be given to the actual or the estimated life of the material for use on other projects; or rental rates may be established on the basis of purchase or salvage value of such items, whichever is less. Contractor will not be eligible for compensation for such items in an amount that exceeds the purchase cost of such item.

c. *Construction Equipment Rental*

- 1) Rentals of all construction equipment and machinery, and the parts thereof, in accordance with rental agreements approved by Owner as to price (including any surcharge or special rates applicable to overtime use of the construction equipment or machinery), and the costs of transportation, loading, unloading, assembly, dismantling, and removal thereof. All such costs will be in accordance with the terms of said rental agreements. The rental of any such equipment, machinery, or parts must cease when the use thereof is no longer necessary for the Work.
- 2) Costs for equipment and machinery owned by Contractor or a Contractor-related entity will be paid at a rate shown for such equipment in the equipment rental rate book specified in the Supplementary Conditions. An hourly rate will be computed by dividing the monthly rates by 176. These computed rates will include all operating costs.
- 3) With respect to Work that is the result of a Change Order, Change Proposal, Claim, set-off, or other adjustment in Contract Price ("changed Work"), included costs will be based on the time the equipment or machinery is in use on the changed Work and the costs of transportation, loading, unloading, assembly, dismantling, and removal when directly attributable to the changed Work. The cost of any such equipment or machinery, or parts thereof, must cease to accrue when the use thereof is no longer necessary for the changed Work.

- d. Sales, consumer, use, and other similar taxes related to the Work, and for which Contractor is liable, as imposed by Laws and Regulations.
- e. Deposits lost for causes other than negligence of Contractor, any Subcontractor, or anyone directly or indirectly employed by any of them or for whose acts any of them may be liable, and royalty payments and fees for permits and licenses.
- f. Losses and damages (and related expenses) caused by damage to the Work, not compensated by insurance or otherwise, sustained by Contractor in connection with the performance of the Work (except losses and damages within the deductible amounts of builder's risk or other property insurance established in accordance with Paragraph 6.04), provided such losses and damages have resulted from causes other than the negligence of Contractor, any Subcontractor, or anyone directly or indirectly employed by any of them or for whose acts any of them may be liable. Such losses include settlements made with the written consent and approval of Owner. No such losses, damages, and expenses will be included in the Cost of the Work for the purpose of determining Contractor's fee.

- g. The cost of utilities, fuel, and sanitary facilities at the Site.
- h. Minor expenses such as communication service at the Site, express and courier services, and similar petty cash items in connection with the Work.
- i. The costs of premiums for all bonds and insurance that Contractor is required by the Contract Documents to purchase and maintain.

C. *Costs Excluded*: The term Cost of the Work does not include any of the following items:

- 1. Payroll costs and other compensation of Contractor's officers, executives, principals, general managers, engineers, architects, estimators, attorneys, auditors, accountants, purchasing and contracting agents, expeditors, timekeepers, clerks, and other personnel employed by Contractor, whether at the Site or in Contractor's principal or branch office for general administration of the Work and not specifically included in the agreed upon schedule of job classifications referred to in Paragraph 13.01.B.1 or specifically covered by Paragraph 13.01.B.4. The payroll costs and other compensation excluded here are to be considered administrative costs covered by the Contractor's fee.
- 2. The cost of purchasing, renting, or furnishing small tools and hand tools.
- 3. Expenses of Contractor's principal and branch offices other than Contractor's office at the Site.
- 4. Any part of Contractor's capital expenses, including interest on Contractor's capital employed for the Work and charges against Contractor for delinquent payments.
- 5. Costs due to the negligence of Contractor, any Subcontractor, or anyone directly or indirectly employed by any of them or for whose acts any of them may be liable, including but not limited to, the correction of defective Work, disposal of materials or equipment wrongly supplied, and making good any damage to property.
- 6. Expenses incurred in preparing and advancing Claims.
- 7. Other overhead or general expense costs of any kind and the costs of any item not specifically and expressly included in Paragraph 13.01.B.

D. *Contractor's Fee*

- 1. When the Work as a whole is performed on the basis of cost-plus-a-fee, then:
 - a. Contractor's fee for the Work set forth in the Contract Documents as of the Effective Date of the Contract will be determined as set forth in the Agreement.
 - b. for any Work covered by a Change Order, Change Proposal, Claim, set-off, or other adjustment in Contract Price on the basis of Cost of the Work, Contractor's fee will be determined as follows:
 - 1) When the fee for the Work as a whole is a percentage of the Cost of the Work, the fee will automatically adjust as the Cost of the Work changes.
 - 2) When the fee for the Work as a whole is a fixed fee, the fee for any additions or deletions will be determined in accordance with Paragraph 11.07.C.2.
- 2. When the Work as a whole is performed on the basis of a stipulated sum, or any other basis other than cost-plus-a-fee, then Contractor's fee for any Work covered by a Change

Order, Change Proposal, Claim, set-off, or other adjustment in Contract Price on the basis of Cost of the Work will be determined in accordance with Paragraph 11.07.C.2.

- E. *Documentation and Audit*: Whenever the Cost of the Work for any purpose is to be determined pursuant to this Article 13, Contractor and pertinent Subcontractors will establish and maintain records of the costs in accordance with generally accepted accounting practices. Subject to prior written notice, Owner will be afforded reasonable access, during normal business hours, to all Contractor's accounts, records, books, correspondence, instructions, drawings, receipts, vouchers, memoranda, and similar data relating to the Cost of the Work and Contractor's fee. Contractor shall preserve all such documents for a period of three years after the final payment by Owner. Pertinent Subcontractors will afford such access to Owner, and preserve such documents, to the same extent required of Contractor.

13.02 Allowances

- A. It is understood that Contractor has included in the Contract Price all allowances so named in the Contract Documents and shall cause the Work so covered to be performed for such sums and by such persons or entities as may be acceptable to Owner and Engineer.
- B. *Cash Allowances*: Contractor agrees that:
1. the cash allowances include the cost to Contractor (less any applicable trade discounts) of materials and equipment required by the allowances to be delivered at the Site, and all applicable taxes; and
 2. Contractor's costs for unloading and handling on the Site, labor, installation, overhead, profit, and other expenses contemplated for the cash allowances have been included in the Contract Price and not in the allowances, and no demand for additional payment for any of the foregoing will be valid.
- C. *Owner's Contingency Allowance*: Contractor agrees that an Owner's contingency allowance, if any, is for the sole use of Owner to cover unanticipated costs.
- D. Prior to final payment, an appropriate Change Order will be issued as recommended by Engineer to reflect actual amounts due Contractor for Work covered by allowances, and the Contract Price will be correspondingly adjusted.

13.03 Unit Price Work

- A. Where the Contract Documents provide that all or part of the Work is to be Unit Price Work, initially the Contract Price will be deemed to include for all Unit Price Work an amount equal to the sum of the unit price for each separately identified item of Unit Price Work times the estimated quantity of each item as indicated in the Agreement.
- B. The estimated quantities of items of Unit Price Work are not guaranteed and are solely for the purpose of comparison of Bids and determining an initial Contract Price. Payments to Contractor for Unit Price Work will be based on actual quantities.
- C. Each unit price will be deemed to include an amount considered by Contractor to be adequate to cover Contractor's overhead and profit for each separately identified item.
- D. Engineer will determine the actual quantities and classifications of Unit Price Work performed by Contractor. Engineer will review with Contractor the Engineer's preliminary determinations on such matters before rendering a written decision thereon (by recommendation of an Application for Payment or otherwise). Engineer's written decision

thereon will be final and binding (except as modified by Engineer to reflect changed factual conditions or more accurate data) upon Owner and Contractor, and the final adjustment of Contract Price will be set forth in a Change Order, subject to the provisions of the following paragraph.

E. *Adjustments in Unit Price*

1. Contractor or Owner shall be entitled to an adjustment in the unit price with respect to an item of Unit Price Work if:
 - a. the quantity of the item of Unit Price Work performed by Contractor differs materially and significantly from the estimated quantity of such item indicated in the Agreement; and
 - b. Contractor's unit costs to perform the item of Unit Price Work have changed materially and significantly as a result of the quantity change.
2. The adjustment in unit price will account for and be coordinated with any related changes in quantities of other items of Work, and in Contractor's costs to perform such other Work, such that the resulting overall change in Contract Price is equitable to Owner and Contractor.
3. Adjusted unit prices will apply to all units of that item.

ARTICLE 14—TESTS AND INSPECTIONS; CORRECTION, REMOVAL, OR ACCEPTANCE OF DEFECTIVE WORK

14.01 *Access to Work*

- A. Owner, Engineer, their consultants and other representatives and personnel of Owner, independent testing laboratories, and authorities having jurisdiction have access to the Site and the Work at reasonable times for their observation, inspection, and testing. Contractor shall provide them proper and safe conditions for such access and advise them of Contractor's safety procedures and programs so that they may comply with such procedures and programs as applicable.

14.02 *Tests, Inspections, and Approvals*

- A. Contractor shall give Engineer timely notice of readiness of the Work (or specific parts thereof) for all required inspections and tests, and shall cooperate with inspection and testing personnel to facilitate required inspections and tests.
- B. Owner shall retain and pay for the services of an independent inspector, testing laboratory, or other qualified individual or entity to perform all inspections and tests expressly required by the Contract Documents to be furnished and paid for by Owner, except that costs incurred in connection with tests or inspections of covered Work will be governed by the provisions of Paragraph 14.05.
- C. If Laws or Regulations of any public body having jurisdiction require any Work (or part thereof) specifically to be inspected, tested, or approved by an employee or other representative of such public body, Contractor shall assume full responsibility for arranging and obtaining such inspections, tests, or approvals, pay all costs in connection therewith, and furnish Engineer the required certificates of inspection or approval.

- D. Contractor shall be responsible for arranging, obtaining, and paying for all inspections and tests required:
1. by the Contract Documents, unless the Contract Documents expressly allocate responsibility for a specific inspection or test to Owner;
 2. to attain Owner's and Engineer's acceptance of materials or equipment to be incorporated in the Work;
 3. by manufacturers of equipment furnished under the Contract Documents;
 4. for testing, adjusting, and balancing of mechanical, electrical, and other equipment to be incorporated into the Work; and
 5. for acceptance of materials, mix designs, or equipment submitted for approval prior to Contractor's purchase thereof for incorporation in the Work.

Such inspections and tests will be performed by independent inspectors, testing laboratories, or other qualified individuals or entities acceptable to Owner and Engineer.

- E. If the Contract Documents require the Work (or part thereof) to be approved by Owner, Engineer, or another designated individual or entity, then Contractor shall assume full responsibility for arranging and obtaining such approvals.
- F. If any Work (or the work of others) that is to be inspected, tested, or approved is covered by Contractor without written concurrence of Engineer, Contractor shall, if requested by Engineer, uncover such Work for observation. Such uncovering will be at Contractor's expense unless Contractor had given Engineer timely notice of Contractor's intention to cover the same and Engineer had not acted with reasonable promptness in response to such notice.

14.03 *Defective Work*

- A. *Contractor's Obligation:* It is Contractor's obligation to assure that the Work is not defective.
- B. *Engineer's Authority:* Engineer has the authority to determine whether Work is defective, and to reject defective Work.
- C. *Notice of Defects:* Prompt written notice of all defective Work of which Owner or Engineer has actual knowledge will be given to Contractor.
- D. *Correction, or Removal and Replacement:* Promptly after receipt of written notice of defective Work, Contractor shall correct all such defective Work, whether or not fabricated, installed, or completed, or, if Engineer has rejected the defective Work, remove it from the Project and replace it with Work that is not defective.
- E. *Preservation of Warranties:* When correcting defective Work, Contractor shall take no action that would void or otherwise impair Owner's special warranty and guarantee, if any, on said Work.
- F. *Costs and Damages:* In addition to its correction, removal, and replacement obligations with respect to defective Work, Contractor shall pay all claims, costs, losses, and damages arising out of or relating to defective Work, including but not limited to the cost of the inspection, testing, correction, removal, replacement, or reconstruction of such defective Work, fines levied against Owner by governmental authorities because the Work is defective, and the costs of repair or replacement of work of others resulting from defective Work. Prior to final payment, if Owner and Contractor are unable to agree as to the measure of such claims, costs,

losses, and damages resulting from defective Work, then Owner may impose a reasonable set-off against payments due under Article 15.

14.04 *Acceptance of Defective Work*

- A. If, instead of requiring correction or removal and replacement of defective Work, Owner prefers to accept it, Owner may do so (subject, if such acceptance occurs prior to final payment, to Engineer's confirmation that such acceptance is in general accord with the design intent and applicable engineering principles, and will not endanger public safety). Contractor shall pay all claims, costs, losses, and damages attributable to Owner's evaluation of and determination to accept such defective Work (such costs to be approved by Engineer as to reasonableness), and for the diminished value of the Work to the extent not otherwise paid by Contractor. If any such acceptance occurs prior to final payment, the necessary revisions in the Contract Documents with respect to the Work will be incorporated in a Change Order. If the parties are unable to agree as to the decrease in the Contract Price, reflecting the diminished value of Work so accepted, then Owner may impose a reasonable set-off against payments due under Article 15. If the acceptance of defective Work occurs after final payment, Contractor shall pay an appropriate amount to Owner.

14.05 *Uncovering Work*

- A. Engineer has the authority to require additional inspection or testing of the Work, whether or not the Work is fabricated, installed, or completed.
- B. If any Work is covered contrary to the written request of Engineer, then Contractor shall, if requested by Engineer, uncover such Work for Engineer's observation, and then replace the covering, all at Contractor's expense.
- C. If Engineer considers it necessary or advisable that covered Work be observed by Engineer or inspected or tested by others, then Contractor, at Engineer's request, shall uncover, expose, or otherwise make available for observation, inspection, or testing as Engineer may require, that portion of the Work in question, and provide all necessary labor, material, and equipment.
 - 1. If it is found that the uncovered Work is defective, Contractor shall be responsible for all claims, costs, losses, and damages arising out of or relating to such uncovering, exposure, observation, inspection, and testing, and of satisfactory replacement or reconstruction (including but not limited to all costs of repair or replacement of work of others); and pending Contractor's full discharge of this responsibility the Owner shall be entitled to impose a reasonable set-off against payments due under Article 15.
 - 2. If the uncovered Work is not found to be defective, Contractor shall be allowed an increase in the Contract Price or an extension of the Contract Times, directly attributable to such uncovering, exposure, observation, inspection, testing, replacement, and reconstruction. If the parties are unable to agree as to the amount or extent thereof, then Contractor may submit a Change Proposal within 30 days of the determination that the Work is not defective.

14.06 *Owner May Stop the Work*

- A. If the Work is defective, or Contractor fails to supply sufficient skilled workers or suitable materials or equipment, or fails to perform the Work in such a way that the completed Work will conform to the Contract Documents, then Owner may order Contractor to stop the Work,

or any portion thereof, until the cause for such order has been eliminated; however, this right of Owner to stop the Work will not give rise to any duty on the part of Owner to exercise this right for the benefit of Contractor, any Subcontractor, any Supplier, any other individual or entity, or any surety for, or employee or agent of any of them.

14.07 Owner May Correct Defective Work

- A. If Contractor fails within a reasonable time after written notice from Engineer to correct defective Work, or to remove and replace defective Work as required by Engineer, then Owner may, after 7 days' written notice to Contractor, correct or remedy any such deficiency.
- B. In exercising the rights and remedies under this Paragraph 14.07, Owner shall proceed expeditiously. In connection with such corrective or remedial action, Owner may exclude Contractor from all or part of the Site, take possession of all or part of the Work and suspend Contractor's services related thereto, and incorporate in the Work all materials and equipment stored at the Site or for which Owner has paid Contractor but which are stored elsewhere. Contractor shall allow Owner, Owner's representatives, agents and employees, Owner's other contractors, and Engineer and Engineer's consultants access to the Site to enable Owner to exercise the rights and remedies under this paragraph.
- C. All claims, costs, losses, and damages incurred or sustained by Owner in exercising the rights and remedies under this Paragraph 14.07 will be charged against Contractor as set-offs against payments due under Article 15. Such claims, costs, losses and damages will include but not be limited to all costs of repair, or replacement of work of others destroyed or damaged by correction, removal, or replacement of Contractor's defective Work.
- D. Contractor shall not be allowed an extension of the Contract Times because of any delay in the performance of the Work attributable to the exercise by Owner of Owner's rights and remedies under this Paragraph 14.07.

ARTICLE 15—PAYMENTS TO CONTRACTOR; SET-OFFS; COMPLETION; CORRECTION PERIOD

15.01 Progress Payments

- A. *Basis for Progress Payments:* The Schedule of Values established as provided in Article 2 will serve as the basis for progress payments and will be incorporated into a form of Application for Payment acceptable to Engineer. Progress payments for Unit Price Work will be based on the number of units completed during the pay period, as determined under the provisions of Paragraph 13.03. Progress payments for cost-based Work will be based on Cost of the Work completed by Contractor during the pay period.
- B. *Applications for Payments*
 - 1. At least 20 days before the date established in the Agreement for each progress payment (but not more often than once a month), Contractor shall submit to Engineer for review an Application for Payment filled out and signed by Contractor covering the Work completed as of the date of the Application and accompanied by such supporting documentation as is required by the Contract Documents.
 - 2. If payment is requested on the basis of materials and equipment not incorporated in the Work but delivered and suitably stored at the Site or at another location agreed to in writing, the Application for Payment must also be accompanied by: (a) a bill of sale, invoice, copies of subcontract or purchase order payments, or other documentation

establishing full payment by Contractor for the materials and equipment; (b) at Owner's request, documentation warranting that Owner has received the materials and equipment free and clear of all Liens; and (c) evidence that the materials and equipment are covered by appropriate property insurance, a warehouse bond, or other arrangements to protect Owner's interest therein, all of which must be satisfactory to Owner.

3. Beginning with the second Application for Payment, each Application must include an affidavit of Contractor stating that all previous progress payments received by Contractor have been applied to discharge Contractor's legitimate obligations associated with prior Applications for Payment.
4. The amount of retainage with respect to progress payments will be as stipulated in the Agreement.

C. *Review of Applications*

1. Engineer will, within 10 days after receipt of each Application for Payment, including each resubmittal, either indicate in writing a recommendation of payment and present the Application to Owner, or return the Application to Contractor indicating in writing Engineer's reasons for refusing to recommend payment. In the latter case, Contractor may make the necessary corrections and resubmit the Application.
2. Engineer's recommendation of any payment requested in an Application for Payment will constitute a representation by Engineer to Owner, based on Engineer's observations of the executed Work as an experienced and qualified design professional, and on Engineer's review of the Application for Payment and the accompanying data and schedules, that to the best of Engineer's knowledge, information and belief:
 - a. the Work has progressed to the point indicated;
 - b. the quality of the Work is generally in accordance with the Contract Documents (subject to an evaluation of the Work as a functioning whole prior to or upon Substantial Completion, the results of any subsequent tests called for in the Contract Documents, a final determination of quantities and classifications for Unit Price Work under Paragraph 13.03, and any other qualifications stated in the recommendation); and
 - c. the conditions precedent to Contractor's being entitled to such payment appear to have been fulfilled in so far as it is Engineer's responsibility to observe the Work.
3. By recommending any such payment Engineer will not thereby be deemed to have represented that:
 - a. inspections made to check the quality or the quantity of the Work as it has been performed have been exhaustive, extended to every aspect of the Work in progress, or involved detailed inspections of the Work beyond the responsibilities specifically assigned to Engineer in the Contract; or
 - b. there may not be other matters or issues between the parties that might entitle Contractor to be paid additionally by Owner or entitle Owner to withhold payment to Contractor.

4. Neither Engineer's review of Contractor's Work for the purposes of recommending payments nor Engineer's recommendation of any payment, including final payment, will impose responsibility on Engineer:
 - a. to supervise, direct, or control the Work;
 - b. for the means, methods, techniques, sequences, or procedures of construction, or the safety precautions and programs incident thereto;
 - c. for Contractor's failure to comply with Laws and Regulations applicable to Contractor's performance of the Work;
 - d. to make any examination to ascertain how or for what purposes Contractor has used the money paid by Owner; or
 - e. to determine that title to any of the Work, materials, or equipment has passed to Owner free and clear of any Liens.
5. Engineer may refuse to recommend the whole or any part of any payment if, in Engineer's opinion, it would be incorrect to make the representations to Owner stated in Paragraph 15.01.C.2.
6. Engineer will recommend reductions in payment (set-offs) necessary in Engineer's opinion to protect Owner from loss because:
 - a. the Work is defective, requiring correction or replacement;
 - b. the Contract Price has been reduced by Change Orders;
 - c. Owner has been required to correct defective Work in accordance with Paragraph 14.07, or has accepted defective Work pursuant to Paragraph 14.04;
 - d. Owner has been required to remove or remediate a Hazardous Environmental Condition for which Contractor is responsible; or
 - e. Engineer has actual knowledge of the occurrence of any of the events that would constitute a default by Contractor and therefore justify termination for cause under the Contract Documents.

D. *Payment Becomes Due*

1. Ten days after presentation of the Application for Payment to Owner with Engineer's recommendation, the amount recommended (subject to any Owner set-offs) will become due, and when due will be paid by Owner to Contractor.

E. *Reductions in Payment by Owner*

1. In addition to any reductions in payment (set-offs) recommended by Engineer, Owner is entitled to impose a set-off against payment based on any of the following:
 - a. Claims have been made against Owner based on Contractor's conduct in the performance or furnishing of the Work, or Owner has incurred costs, losses, or damages resulting from Contractor's conduct in the performance or furnishing of the Work, including but not limited to claims, costs, losses, or damages from workplace injuries, adjacent property damage, non-compliance with Laws and Regulations, and patent infringement;

- b. Contractor has failed to take reasonable and customary measures to avoid damage, delay, disruption, and interference with other work at or adjacent to the Site;
 - c. Contractor has failed to provide and maintain required bonds or insurance;
 - d. Owner has been required to remove or remediate a Hazardous Environmental Condition for which Contractor is responsible;
 - e. Owner has incurred extra charges or engineering costs related to submittal reviews, evaluations of proposed substitutes, tests and inspections, or return visits to manufacturing or assembly facilities;
 - f. The Work is defective, requiring correction or replacement;
 - g. Owner has been required to correct defective Work in accordance with Paragraph 14.07, or has accepted defective Work pursuant to Paragraph 14.04;
 - h. The Contract Price has been reduced by Change Orders;
 - i. An event has occurred that would constitute a default by Contractor and therefore justify a termination for cause;
 - j. Liquidated or other damages have accrued as a result of Contractor's failure to achieve Milestones, Substantial Completion, or final completion of the Work;
 - k. Liens have been filed in connection with the Work, except where Contractor has delivered a specific bond satisfactory to Owner to secure the satisfaction and discharge of such Liens; or
 - l. Other items entitle Owner to a set-off against the amount recommended.
2. If Owner imposes any set-off against payment, whether based on its own knowledge or on the written recommendations of Engineer, Owner will give Contractor immediate written notice (with a copy to Engineer) stating the reasons for such action and the specific amount of the reduction, and promptly pay Contractor any amount remaining after deduction of the amount so withheld. Owner shall promptly pay Contractor the amount so withheld, or any adjustment thereto agreed to by Owner and Contractor, if Contractor remedies the reasons for such action. The reduction imposed will be binding on Contractor unless it duly submits a Change Proposal contesting the reduction.
 3. Upon a subsequent determination that Owner's refusal of payment was not justified, the amount wrongfully withheld will be treated as an amount due as determined by Paragraph 15.01.D.1 and subject to interest as provided in the Agreement.

15.02 *Contractor's Warranty of Title*

- A. Contractor warrants and guarantees that title to all Work, materials, and equipment furnished under the Contract will pass to Owner free and clear of (1) all Liens and other title defects, and (2) all patent, licensing, copyright, or royalty obligations, no later than 7 days after the time of payment by Owner.

15.03 *Substantial Completion*

- A. When Contractor considers the entire Work ready for its intended use Contractor shall notify Owner and Engineer in writing that the entire Work is substantially complete and request that Engineer issue a certificate of Substantial Completion. Contractor shall at the same time

submit to Owner and Engineer an initial draft of punch list items to be completed or corrected before final payment.

- B. Promptly after Contractor's notification, Owner, Contractor, and Engineer shall make an inspection of the Work to determine the status of completion. If Engineer does not consider the Work substantially complete, Engineer will notify Contractor in writing giving the reasons therefor.
- C. If Engineer considers the Work substantially complete, Engineer will deliver to Owner a preliminary certificate of Substantial Completion which will fix the date of Substantial Completion. Engineer shall attach to the certificate a punch list of items to be completed or corrected before final payment. Owner shall have 7 days after receipt of the preliminary certificate during which to make written objection to Engineer as to any provisions of the certificate or attached punch list. If, after considering the objections to the provisions of the preliminary certificate, Engineer concludes that the Work is not substantially complete, Engineer will, within 14 days after submission of the preliminary certificate to Owner, notify Contractor in writing that the Work is not substantially complete, stating the reasons therefor. If Owner does not object to the provisions of the certificate, or if despite consideration of Owner's objections Engineer concludes that the Work is substantially complete, then Engineer will, within said 14 days, execute and deliver to Owner and Contractor a final certificate of Substantial Completion (with a revised punch list of items to be completed or corrected) reflecting such changes from the preliminary certificate as Engineer believes justified after consideration of any objections from Owner.
- D. At the time of receipt of the preliminary certificate of Substantial Completion, Owner and Contractor will confer regarding Owner's use or occupancy of the Work following Substantial Completion, review the builder's risk insurance policy with respect to the end of the builder's risk coverage, and confirm the transition to coverage of the Work under a permanent property insurance policy held by Owner. Unless Owner and Contractor agree otherwise in writing, Owner shall bear responsibility for security, operation, protection of the Work, property insurance, maintenance, heat, and utilities upon Owner's use or occupancy of the Work.
- E. After Substantial Completion the Contractor shall promptly begin work on the punch list of items to be completed or corrected prior to final payment. In appropriate cases Contractor may submit monthly Applications for Payment for completed punch list items, following the progress payment procedures set forth above.
- F. Owner shall have the right to exclude Contractor from the Site after the date of Substantial Completion subject to allowing Contractor reasonable access to remove its property and complete or correct items on the punch list.

15.04 *Partial Use or Occupancy*

- A. Prior to Substantial Completion of all the Work, Owner may use or occupy any substantially completed part of the Work which has specifically been identified in the Contract Documents, or which Owner, Engineer, and Contractor agree constitutes a separately functioning and usable part of the Work that can be used by Owner for its intended purpose without

significant interference with Contractor's performance of the remainder of the Work, subject to the following conditions:

1. At any time, Owner may request in writing that Contractor permit Owner to use or occupy any such part of the Work that Owner believes to be substantially complete. If and when Contractor agrees that such part of the Work is substantially complete, Contractor, Owner, and Engineer will follow the procedures of Paragraph 15.03.A through 15.03.E for that part of the Work.
2. At any time, Contractor may notify Owner and Engineer in writing that Contractor considers any such part of the Work substantially complete and request Engineer to issue a certificate of Substantial Completion for that part of the Work.
3. Within a reasonable time after either such request, Owner, Contractor, and Engineer shall make an inspection of that part of the Work to determine its status of completion. If Engineer does not consider that part of the Work to be substantially complete, Engineer will notify Owner and Contractor in writing giving the reasons therefor. If Engineer considers that part of the Work to be substantially complete, the provisions of Paragraph 15.03 will apply with respect to certification of Substantial Completion of that part of the Work and the division of responsibility in respect thereof and access thereto.
4. No use or occupancy or separate operation of part of the Work may occur prior to compliance with the requirements of Paragraph 6.04 regarding builder's risk or other property insurance.

15.05 *Final Inspection*

- A. Upon written notice from Contractor that the entire Work or an agreed portion thereof is complete, Engineer will promptly make a final inspection with Owner and Contractor and will notify Contractor in writing of all particulars in which this inspection reveals that the Work, or agreed portion thereof, is incomplete or defective. Contractor shall immediately take such measures as are necessary to complete such Work or remedy such deficiencies.

15.06 *Final Payment*

A. *Application for Payment*

1. After Contractor has, in the opinion of Engineer, satisfactorily completed all corrections identified during the final inspection and has delivered, in accordance with the Contract Documents, all maintenance and operating instructions, schedules, guarantees, bonds, certificates or other evidence of insurance, certificates of inspection, annotated record documents (as provided in Paragraph 7.12), and other documents, Contractor may make application for final payment.
2. The final Application for Payment must be accompanied (except as previously delivered) by:
 - a. all documentation called for in the Contract Documents;
 - b. consent of the surety, if any, to final payment;
 - c. satisfactory evidence that all title issues have been resolved such that title to all Work, materials, and equipment has passed to Owner free and clear of any Liens or other title defects, or will so pass upon final payment.

- d. a list of all duly pending Change Proposals and Claims; and
 - e. complete and legally effective releases or waivers (satisfactory to Owner) of all Lien rights arising out of the Work, and of Liens filed in connection with the Work.
3. In lieu of the releases or waivers of Liens specified in Paragraph 15.06.A.2 and as approved by Owner, Contractor may furnish receipts or releases in full and an affidavit of Contractor that: (a) the releases and receipts include all labor, services, material, and equipment for which a Lien could be filed; and (b) all payrolls, material and equipment bills, and other indebtedness connected with the Work for which Owner might in any way be responsible, or which might in any way result in liens or other burdens on Owner's property, have been paid or otherwise satisfied. If any Subcontractor or Supplier fails to furnish such a release or receipt in full, Contractor may furnish a bond or other collateral satisfactory to Owner to indemnify Owner against any Lien, or Owner at its option may issue joint checks payable to Contractor and specified Subcontractors and Suppliers.
- B. *Engineer's Review of Final Application and Recommendation of Payment:* If, on the basis of Engineer's observation of the Work during construction and final inspection, and Engineer's review of the final Application for Payment and accompanying documentation as required by the Contract Documents, Engineer is satisfied that the Work has been completed and Contractor's other obligations under the Contract have been fulfilled, Engineer will, within 10 days after receipt of the final Application for Payment, indicate in writing Engineer's recommendation of final payment and present the final Application for Payment to Owner for payment. Such recommendation will account for any set-offs against payment that are necessary in Engineer's opinion to protect Owner from loss for the reasons stated above with respect to progress payments. Otherwise, Engineer will return the Application for Payment to Contractor, indicating in writing the reasons for refusing to recommend final payment, in which case Contractor shall make the necessary corrections and resubmit the Application for Payment.
- C. *Notice of Acceptability:* In support of its recommendation of payment of the final Application for Payment, Engineer will also give written notice to Owner and Contractor that the Work is acceptable, subject to stated limitations in the notice and to the provisions of Paragraph 15.07.
- D. *Completion of Work:* The Work is complete (subject to surviving obligations) when it is ready for final payment as established by the Engineer's written recommendation of final payment and issuance of notice of the acceptability of the Work.
- E. *Final Payment Becomes Due:* Upon receipt from Engineer of the final Application for Payment and accompanying documentation, Owner shall set off against the amount recommended by Engineer for final payment any further sum to which Owner is entitled, including but not limited to set-offs for liquidated damages and set-offs allowed under the provisions of this Contract with respect to progress payments. Owner shall pay the resulting balance due to Contractor within 30 days of Owner's receipt of the final Application for Payment from Engineer.

15.07 *Waiver of Claims*

- A. By making final payment, Owner waives its claim or right to liquidated damages or other damages for late completion by Contractor, except as set forth in an outstanding Claim,

appeal under the provisions of Article 17, set-off, or express reservation of rights by Owner. Owner reserves all other claims or rights after final payment.

- B. The acceptance of final payment by Contractor will constitute a waiver by Contractor of all claims and rights against Owner other than those pending matters that have been duly submitted as a Claim, or appealed under the provisions of Article 17.

15.08 *Correction Period*

- A. If within one year after the date of Substantial Completion (or such longer period of time as may be prescribed by the Supplementary Conditions or the terms of any applicable special guarantee required by the Contract Documents), Owner gives Contractor written notice that any Work has been found to be defective, or that Contractor's repair of any damages to the Site or adjacent areas has been found to be defective, then after receipt of such notice of defect Contractor shall promptly, without cost to Owner and in accordance with Owner's written instructions:
 - 1. correct the defective repairs to the Site or such adjacent areas;
 - 2. correct such defective Work;
 - 3. remove the defective Work from the Project and replace it with Work that is not defective, if the defective Work has been rejected by Owner, and
 - 4. satisfactorily correct or repair or remove and replace any damage to other Work, to the work of others, or to other land or areas resulting from the corrective measures.
- B. Owner shall give any such notice of defect within 60 days of the discovery that such Work or repairs is defective. If such notice is given within such 60 days but after the end of the correction period, the notice will be deemed a notice of defective Work under Paragraph 7.17.B.
- C. If, after receipt of a notice of defect within 60 days and within the correction period, Contractor does not promptly comply with the terms of Owner's written instructions, or in an emergency where delay would cause serious risk of loss or damage, Owner may have the defective Work corrected or repaired or may have the rejected Work removed and replaced. Contractor shall pay all costs, losses, and damages (including but not limited to all fees and charges of engineers, architects, attorneys, and other professionals and all court or arbitration or other dispute resolution costs) arising out of or relating to such correction or repair or such removal and replacement (including but not limited to all costs of repair or replacement of work of others). Contractor's failure to pay such costs, losses, and damages within 10 days of invoice from Owner will be deemed the start of an event giving rise to a Claim under Paragraph 12.01.B, such that any related Claim must be brought within 30 days of the failure to pay.
- D. In special circumstances where a particular item of equipment is placed in continuous service before Substantial Completion of all the Work, the correction period for that item may start to run from an earlier date if so provided in the Specifications.
- E. Where defective Work (and damage to other Work resulting therefrom) has been corrected or removed and replaced under this paragraph, the correction period hereunder with respect to such Work will be extended for an additional period of one year after such correction or removal and replacement has been satisfactorily completed.

- F. Contractor's obligations under this paragraph are in addition to all other obligations and warranties. The provisions of this paragraph are not to be construed as a substitute for, or a waiver of, the provisions of any applicable statute of limitation or repose.

ARTICLE 16—SUSPENSION OF WORK AND TERMINATION

16.01 *Owner May Suspend Work*

- A. At any time and without cause, Owner may suspend the Work or any portion thereof for a period of not more than 90 consecutive days by written notice to Contractor and Engineer. Such notice will fix the date on which Work will be resumed. Contractor shall resume the Work on the date so fixed. Contractor shall be entitled to an adjustment in the Contract Price or an extension of the Contract Times directly attributable to any such suspension. Any Change Proposal seeking such adjustments must be submitted no later than 30 days after the date fixed for resumption of Work.

16.02 *Owner May Terminate for Cause*

- A. The occurrence of any one or more of the following events will constitute a default by Contractor and justify termination for cause:
 - 1. Contractor's persistent failure to perform the Work in accordance with the Contract Documents (including, but not limited to, failure to supply sufficient skilled workers or suitable materials or equipment, or failure to adhere to the Progress Schedule);
 - 2. Failure of Contractor to perform or otherwise to comply with a material term of the Contract Documents;
 - 3. Contractor's disregard of Laws or Regulations of any public body having jurisdiction; or
 - 4. Contractor's repeated disregard of the authority of Owner or Engineer.
- B. If one or more of the events identified in Paragraph 16.02.A occurs, then after giving Contractor (and any surety) 10 days' written notice that Owner is considering a declaration that Contractor is in default and termination of the Contract, Owner may proceed to:
 - 1. declare Contractor to be in default, and give Contractor (and any surety) written notice that the Contract is terminated; and
 - 2. enforce the rights available to Owner under any applicable performance bond.
- C. Subject to the terms and operation of any applicable performance bond, if Owner has terminated the Contract for cause, Owner may exclude Contractor from the Site, take possession of the Work, incorporate in the Work all materials and equipment stored at the Site or for which Owner has paid Contractor but which are stored elsewhere, and complete the Work as Owner may deem expedient.
- D. Owner may not proceed with termination of the Contract under Paragraph 16.02.B if Contractor within 7 days of receipt of notice of intent to terminate begins to correct its failure to perform and proceeds diligently to cure such failure.
- E. If Owner proceeds as provided in Paragraph 16.02.B, Contractor shall not be entitled to receive any further payment until the Work is completed. If the unpaid balance of the Contract Price exceeds the cost to complete the Work, including all related claims, costs, losses, and damages (including but not limited to all fees and charges of engineers, architects,

attorneys, and other professionals) sustained by Owner, such excess will be paid to Contractor. If the cost to complete the Work including such related claims, costs, losses, and damages exceeds such unpaid balance, Contractor shall pay the difference to Owner. Such claims, costs, losses, and damages incurred by Owner will be reviewed by Engineer as to their reasonableness and, when so approved by Engineer, incorporated in a Change Order. When exercising any rights or remedies under this paragraph, Owner shall not be required to obtain the lowest price for the Work performed.

- F. Where Contractor's services have been so terminated by Owner, the termination will not affect any rights or remedies of Owner against Contractor then existing or which may thereafter accrue, or any rights or remedies of Owner against Contractor or any surety under any payment bond or performance bond. Any retention or payment of money due Contractor by Owner will not release Contractor from liability.
- G. If and to the extent that Contractor has provided a performance bond under the provisions of Paragraph 6.01.A, the provisions of that bond will govern over any inconsistent provisions of Paragraphs 16.02.B and 16.02.D.

16.03 *Owner May Terminate for Convenience*

- A. Upon 7 days' written notice to Contractor and Engineer, Owner may, without cause and without prejudice to any other right or remedy of Owner, terminate the Contract. In such case, Contractor shall be paid for (without duplication of any items):
 - 1. completed and acceptable Work executed in accordance with the Contract Documents prior to the effective date of termination, including fair and reasonable sums for overhead and profit on such Work;
 - 2. expenses sustained prior to the effective date of termination in performing services and furnishing labor, materials, or equipment as required by the Contract Documents in connection with uncompleted Work, plus fair and reasonable sums for overhead and profit on such expenses; and
 - 3. other reasonable expenses directly attributable to termination, including costs incurred to prepare a termination for convenience cost proposal.
- B. Contractor shall not be paid for any loss of anticipated profits or revenue, post-termination overhead costs, or other economic loss arising out of or resulting from such termination.

16.04 *Contractor May Stop Work or Terminate*

- A. If, through no act or fault of Contractor, (1) the Work is suspended for more than 90 consecutive days by Owner or under an order of court or other public authority, or (2) Engineer fails to act on any Application for Payment within 30 days after it is submitted, or (3) Owner fails for 30 days to pay Contractor any sum finally determined to be due, then Contractor may, upon 7 days' written notice to Owner and Engineer, and provided Owner or Engineer do not remedy such suspension or failure within that time, terminate the contract and recover from Owner payment on the same terms as provided in Paragraph 16.03.
- B. In lieu of terminating the Contract and without prejudice to any other right or remedy, if Engineer has failed to act on an Application for Payment within 30 days after it is submitted, or Owner has failed for 30 days to pay Contractor any sum finally determined to be due, Contractor may, 7 days after written notice to Owner and Engineer, stop the Work until payment is made of all such amounts due Contractor, including interest thereon. The

provisions of this paragraph are not intended to preclude Contractor from submitting a Change Proposal for an adjustment in Contract Price or Contract Times or otherwise for expenses or damage directly attributable to Contractor's stopping the Work as permitted by this paragraph.

ARTICLE 17—FINAL RESOLUTION OF DISPUTES

17.01 *Methods and Procedures*

- A. *Disputes Subject to Final Resolution:* The following disputed matters are subject to final resolution under the provisions of this article:
1. A timely appeal of an approval in part and denial in part of a Claim, or of a denial in full, pursuant to Article 12; and
 2. Disputes between Owner and Contractor concerning the Work, or obligations under the Contract Documents, that arise after final payment has been made.
- B. *Final Resolution of Disputes:* For any dispute subject to resolution under this article, Owner or Contractor may:
1. elect in writing to invoke the dispute resolution process provided for in the Supplementary Conditions;
 2. agree with the other party to submit the dispute to another dispute resolution process; or
 3. if no dispute resolution process is provided for in the Supplementary Conditions or mutually agreed to, give written notice to the other party of the intent to submit the dispute to a court of competent jurisdiction.

ARTICLE 18—MISCELLANEOUS

18.01 *Giving Notice*

- A. Whenever any provision of the Contract requires the giving of written notice to Owner, Engineer, or Contractor, it will be deemed to have been validly given only if delivered:
1. in person, by a commercial courier service or otherwise, to the recipient's place of business;
 2. by registered or certified mail, postage prepaid, to the recipient's place of business; or
 3. by e-mail to the recipient, with the words "Formal Notice" or similar in the e-mail's subject line.

18.02 *Computation of Times*

- A. When any period of time is referred to in the Contract by days, it will be computed to exclude the first and include the last day of such period. If the last day of any such period falls on a Saturday or Sunday or on a day made a legal holiday by the law of the applicable jurisdiction, such day will be omitted from the computation.

18.03 *Cumulative Remedies*

- A. The duties and obligations imposed by these General Conditions and the rights and remedies available hereunder to the parties hereto are in addition to, and are not to be construed in any way as a limitation of, any rights and remedies available to any or all of them which are otherwise imposed or available by Laws or Regulations, by special warranty or guarantee, or by other provisions of the Contract. The provisions of this paragraph will be as effective as if repeated specifically in the Contract Documents in connection with each particular duty, obligation, right, and remedy to which they apply.

18.04 *Limitation of Damages*

- A. With respect to any and all Change Proposals, Claims, disputes subject to final resolution, and other matters at issue, neither Owner nor Engineer, nor any of their officers, directors, members, partners, employees, agents, consultants, or subcontractors, shall be liable to Contractor for any claims, costs, losses, or damages sustained by Contractor on or in connection with any other project or anticipated project.

18.05 *No Waiver*

- A. A party's non-enforcement of any provision will not constitute a waiver of that provision, nor will it affect the enforceability of that provision or of the remainder of this Contract.

18.06 *Survival of Obligations*

- A. All representations, indemnifications, warranties, and guarantees made in, required by, or given in accordance with the Contract, as well as all continuing obligations indicated in the Contract, will survive final payment, completion, and acceptance of the Work or termination of the Contract or of the services of Contractor.

18.07 *Controlling Law*

- A. This Contract is to be governed by the law of the state in which the Project is located.

18.08 *Assignment of Contract*

- A. Unless expressly agreed to elsewhere in the Contract, no assignment by a party to this Contract of any rights under or interests in the Contract will be binding on the other party without the written consent of the party sought to be bound; and, specifically but without limitation, money that may become due and money that is due may not be assigned without such consent (except to the extent that the effect of this restriction may be limited by law), and unless specifically stated to the contrary in any written consent to an assignment, no assignment will release or discharge the assignor from any duty or responsibility under the Contract.

18.09 *Successors and Assigns*

- A. Owner and Contractor each binds itself, its successors, assigns, and legal representatives to the other party hereto, its successors, assigns, and legal representatives in respect to all covenants, agreements, and obligations contained in the Contract Documents.

18.10 *Headings*

- A. Article and paragraph headings are inserted for convenience only and do not constitute parts of these General Conditions.

SECTION 00800

SUPPLEMENTARY CONDITIONS

TABLE OF CONTENTS

<u>Article Number</u>	<u>Title</u>
1	DEFINITIONS AND TERMINOLOGY
2	PRELIMINARY MATTERS
3	CONTRACT DOCUMENTS: INTENT, REQUIREMENTS, REUSE
4	COMMENCEMENT AND PROGRESS OF THE WORK
5	SITE; SUBSURFACE AND PHYSICAL CONDITIONS; HAZARDOUS ENVIRONMENTAL CONDITIONS
6	BONDS AND INSURANCE
7	CONTRACTOR'S RESPONSIBILITIES
8	OTHER WORK AT THE SITE
9	OWNER'S RESPONSIBILITIES
10	ENGINEER'S STATUS DURING CONSTRUCTION
11	CHANGES TO THE CONTRACT
12	CLAIMS
13	COST OF THE WORK; ALLOWANCES; UNIT PRICE WORK
14	TESTS AND INSPECTIONS; CORRECTION, REMOVAL OR ACCEPTANCE OF DEFECTIVE WORK
15	PAYMENTS TO CONTRACTOR; SET-OFFS; COMPLETION; CORRECTION PERIOD
16	SUSPENSION OF WORK AND TERMINATION
17	FINAL RESOLUTION OF DISPUTES
18	MISCELLANEOUS

SUPPLEMENTARY CONDITIONS

AMENDMENTS TO GENERAL CONDITIONS

These Supplementary Conditions amend or supplement the Standard General Conditions of the Construction Contract (EJCDC C-700, 2018 edition) and other provisions of the Contract Documents as indicated below. All provisions which are not so amended or supplemented remain in full force and effect.

ARTICLE 1. DEFINITIONS AND TERMINOLOGY

Delete the words "The individual or entity named as such in the Agreement" in 1.01.A.22 of the General Conditions, "Engineer", and insert the following in their place:

"The individual or entity duly appointed by the Owner to undertake the duties and powers herein assigned to the Engineer, acting either directly or through duly appointed representatives."

ARTICLE 2. PRELIMINARY MATTERS

SC-2.02

Delete paragraph 2.02A of the General Conditions in its entirety.

SC-2.03

Delete paragraph 2.03 A.3 of the General Conditions.

SC-2.05

Delete paragraph 2.05 A.3 of the General Conditions.

ARTICLE 3. CONTRACT DOCUMENTS: INTENT, REQUIREMENTS, REUSE

SC-3.01

Add the following sentence at the end of Paragraph 3.01A of the General Conditions:

"...by all. Each and every provision of law and clause required by law to be inserted in these Contract Documents shall be deemed to be inserted herein, and they shall be read and enforced as though it were included herein, and if through mistake or otherwise, any such provision is not inserted, or if not correctly inserted, then upon the application of either party, the Contract Documents shall forthwith be physically amended to make such insertion."

SC-3.03

Delete the last phrase of paragraph 3.03 A.3 of the General Conditions starting with “had”, and substitute the following:

“knew or reasonably should have known thereof.”

ARTICLE 4. COMMENCEMENT AND PROGRESS OF THE WORK

SC-4.01

Add a new paragraph immediately after paragraph 4.01A of the General Conditions which is to read as follows:

“B. Notwithstanding the time limitations provided in paragraph 4.01A, the OWNER may desire to commence the Contract Times later than the sixtieth day after the bid opening. The OWNER and CONTRACTOR, upon mutual agreement, may extend the commencement of the Contract Times to any date that they elect. OWNER must obtain CONTRACTOR’s approval for extending the time beyond the dates/times stated in the Contract Documents.”

SC-4.03

Add a new paragraph immediately after paragraph 4.03A of the General Conditions which is to read as follows:

"B. Engineer may check the lines, elevations and reference marks set by Contractor, and Contractor shall correct any errors disclosed by such check. Such a check shall not be considered as approval of Contractor's work and shall not relieve Contractor of the responsibility for construction of the entire Work in accordance with the Contract Documents. Contractor shall furnish personnel to assist Engineer in checking lines and grades."

SC-4.05

Delete Article 4.05A in its entirety and replace with the following:

“A. The Contractor hereby agrees that the Contractor shall have no claim for damages of any kind against the Owner or the Engineer on account of any delay in the commencement or performance of any of the work or any delay or suspension of any portion of the work, whether such delay is caused by the Owner, the Engineer, or otherwise except as provided for within the prevailing statutes. The Contractor acknowledges that the Contractor’s sole remedy for any such delay and/or suspension will be an extension of time as provided in the Contract Documents. The Contractor will under no circumstances be eligible for additional compensation on account of any delay even if an extension of time is granted by the Owner.

Add the following to the paragraph that follows 4.05E.5:

“ Accumulating the amount of time required to complete a series of additional work items or delays and adding this time to the original Contract Time will not be considered

justification for an extension of time. To justify an extension of Contract Time, the Contractor must prove clearly and convincingly that the critical path for construction has been impacted by circumstances beyond the control of the Contractor and that the CPM schedule cannot be revised to eliminate the need for the requested time extension.”

Add the following new paragraphs after paragraph 4.05G of the General Conditions:

“4.06 Liquidated Damages:

- A. If the Contractor shall neglect, fail or refuse to complete the work within the time herein specified, or any proper extension thereof granted by the Owner, then the Contractor does hereby agree, as a part consideration for the awarding of this Contract, to pay to the Owner the amount specified in the Contract, not as a penalty but as liquidated damages for such breach of contract as hereinafter set forth, for each and every calendar day that the Contract shall be in default after the time stipulated in the Contract for completing the work. Such damages may be retained from time to time by the Owner from progress payments or any amounts owing to the Contractor, or otherwise collected.
- B. The said amount is fixed and agreed upon by and between the Contractor and the Owner because of the impracticability and extreme difficulty of fixing and ascertaining the actual damages the Owner would in such event sustain, and said amount is agreed to be the amount of damages which the Owner would sustain and said amount shall be retained from time to time by the Owner from current periodical estimates.
- C. It is further agreed that time is of the essence of each and every portion of this Contract and of the specifications wherein as definite and certain length of times if fixed for the performance of any act whatsoever; and where under the Contract an additional time is allowed for the completion of any work, the new time limit fixed by such extension shall be of the essence of this Contract. Provided that the Contractor shall not be charged with liquidated damages of any excess cost when the Owner determines that the Contractor is without fault and the Contractor's reasons for the time extension are acceptable to the Owner; Provided, further, that the Contractor shall not be charged with liquidated damages or any excess cost when the delay in completion of the work is due:
 - 1) to any preference, priority or allocation order duly issued by the Government;
 - 2) to unforeseeable cause beyond the control and without the fault or negligence of the Contractor, including, but not restricted to, acts of God, or of the public enemy, acts of the Owner, acts of another Contractor in the performance of a contract with the Owner, fires, floods, epidemics, quarantine restrictions, strikes, freight embargoes, and severe weather; and
 - 3) to any delays of subcontractors or suppliers occasioned by any of the causes specified in subsections C (1) and C (2) above;
- D. Provided, further, that the Contractor shall, within thirty (30) days from the beginning of such delay, unless the Owner shall grant a further period of time prior to the date of final settlement of the Contract, notify the Owner, in writing, of the causes of the delay, who shall ascertain

the facts and extent of the delay and notify the Contractor within a reasonable time of its decision in the matter."

ARTICLE 5. SITE; SUBSURFACE AND PHYSICAL CONDITIONS; HAZARDOUS ENVIRONMENTAL CONDITIONS

SC-5.03

Delete the term "Supplementary Conditions" of paragraph 5.03A of the General Conditions and replace it with "Contract Documents".

Delete the term "Supplementary Conditions" of paragraph 5.03C line 2 of the General Conditions and replace it with "Contract Documents".

SC-5.05

Delete the following words from line 3 of paragraph 5.05 F.1 of the General Conditions:

"...or was not shown or indicated with reasonable accuracy"

SC-5.06

Delete the term "Supplementary Conditions" in paragraph 5.06A of the General Conditions and replace it with "Contract Documents".

Add the following to the first sentence of paragraph 5.06C:

"or unless Contractor caused or contributed to such Hazardous Environmental Condition."

ARTICLE 6. BONDS AND INSURANCE

NOTICE TO CONTRACTOR:

1. Proof of Insurance coverage shall be furnished to the Owner in accordance with the schedule for submittal of Bonds and Agreements.
2. Additionally, refer to Article 2. PRELIMINARY MATTERS, Paragraph SC-2.01 B of the General Conditions.

SC-6.01

Insert these sentences following SC-6.01.A of the General Conditions:

"The Surety Company providing the bonds shall have a rating of A or better within the Best Key Rating Guide and be licensed by the Massachusetts Division of Insurance. The CONTRACTOR shall pay the premiums for such Bonds."

SC-6.02

Add the following paragraph to paragraph 6.02N:

“The Contractor shall immediately stop work on the Project and shall not resume work until the Contractor provides evidence, to the Owner and Engineer, in the form of an acceptable insurance certificate, of new insurance coverage that replaces all cancelled coverage that is required for the Project.”

SC-6.03

Add the following paragraphs to SC-6.03B of the General Conditions:

- “6. If the aggregate limits of liability indicated in Contractor's insurance provided in accordance with paragraph 6.03 are not sufficient to cover all claims for damages arising from its operations under this Contract and from any other work performed by it or if the commercial general liability insurance policy of insurance does not provide that the general aggregate limits apply on a per project and per location basis, Contractor shall have the policy amended so that the aggregate limits of liability required by this Contract will be available to cover all claims for damages due to operations under this Contract.
- 7. Include by endorsement that the insurer shall waive all rights of subrogation in favor of the Owner, Engineer and any other party named in the written contract against whom the insurer must agree to waive rights of subrogation.”

Insert “railroad protective liability” in line 2 of paragraph 6.03C.

Insert “except employer’s liability” after the word “insureds” in line 1 of paragraph 6.03C.1.

Add the following paragraphs after 6.03C:

- “D. *Workers’ Compensation and Employer’s Liability:* Contractor shall purchase and maintain workers’ compensation and employer’s liability insurance, including, as applicable, United States Longshoreman and Harbor Workers’ Compensation Act, Jones Act, stop-gap employer’s liability coverage for monopolistic states, and foreign voluntary workers’ compensation (from available sources, notwithstanding the jurisdictional requirement of Paragraph 6.02.B of the General Conditions).

Workers’ Compensation and Related Policies	Policy limits of not less than:
Workers’ Compensation	
State	Statutory
Applicable Federal (e.g., Longshoreman’s)	Statutory
Foreign voluntary workers’ compensation (employer’s responsibility coverage), if applicable	Statutory
Jones Act (if applicable)	
Bodily injury by accident—each accident	\$N/A

Workers' Compensation and Related Policies	Policy limits of not less than:
Bodily injury by disease—aggregate	\$N/A
Employer's Liability	
Each accident	\$100,000
Each employee	\$100,000
Policy limit	\$500,000
Stop-gap Liability Coverage	
For work performed in monopolistic states, stop-gap liability coverage must be endorsed to either the worker's compensation or commercial general liability policy with a minimum limit of:	\$N/A

E. *Commercial General Liability—Claims Covered:* Contractor shall purchase and maintain commercial general liability insurance, covering all operations by or on behalf of Contractor, on an occurrence basis, against claims for:

1. damages because of bodily injury, sickness or disease, or death of any person other than Contractor's employees,
2. damages insured by reasonably available personal injury liability coverage, and
3. damages because of injury to or destruction of tangible property wherever located, including loss of use resulting therefrom.

F. *Commercial General Liability—Form and Content:* Contractor's commercial liability policy must be written on a 1996 (or later) Insurance Services Organization, Inc. (ISO) commercial general liability form (occurrence form) and include the following coverages and endorsements:

1. Products and completed operations coverage.
 - a. Such insurance must be maintained for three years after final payment.
 - b. Contractor shall furnish Owner and each other additional insured (as identified in the Supplementary Conditions or elsewhere in the Contract) evidence of continuation of such insurance at final payment and three years thereafter.
2. Blanket contractual liability coverage, including but not limited to coverage of Contractor's contractual indemnity obligations in Paragraph 7.18.
3. Severability of interests and no insured-versus-insured or cross-liability exclusions.
4. Underground, explosion, and collapse coverage.
5. Personal injury coverage.

6. Additional insured endorsements that include both ongoing operations and products and completed operations coverage through ISO Endorsements CG 20 10, CG 20 33 and CG 20 37 or insurer's endorsement offering similar coverage. If Contractor demonstrates to Owner that the specified ISO endorsements are not commercially available, then Contractor may satisfy this requirement by providing equivalent endorsements.
7. For design professional additional insureds, ISO Endorsement CG 20 32 or insurer's endorsement offering similar coverage.
8. Independent Contractors Coverage.

G. *Commercial General Liability—Excluded Content:* The commercial general liability insurance policy, including its coverages, endorsements, and incorporated provisions, must not include any of the following:

1. Any modification of the standard definition of "insured contract" (except to delete the railroad protective liability exclusion if Contractor is required to indemnify a railroad or others with respect to Work within 50 feet of railroad property).
2. Any exclusion for water intrusion or water damage.
3. Any provisions resulting in the erosion of insurance limits by defense costs other than those already incorporated in ISO form CG 00 01.
4. Any exclusion of coverage relating to earth subsidence or movement.
5. Any exclusion for the insured's vicarious liability, strict liability, or statutory liability (other than worker's compensation).
6. Any limitation or exclusion based on the nature of Contractor's work.
7. Any professional liability exclusion broader in effect than the most recent edition of ISO form CG 22 79.

H. *Commercial General Liability—Minimum Policy Limits*

Commercial General Liability	Policy limits of not less than:
General Aggregate	\$2,000,000
Products—Completed Operations Aggregate	\$2,000,000
Personal and Advertising Injury	\$1,000,000
Bodily Injury and Property Damage—Each Occurrence	\$1,000,000

I. *Automobile Liability:* Contractor shall purchase and maintain automobile liability insurance for damages because of bodily injury or death of any person or property damage arising out of the ownership, maintenance, or use of any motor vehicle. The automobile liability policy must be written on an occurrence basis.

Automobile Liability	Policy limits of not less than:
Combined Single Limit	
Combined Single Limit (Bodily Injury and Property Damage)	\$1,000,000

- J. *Umbrella or Excess Liability:* Contractor shall purchase and maintain umbrella or excess liability insurance written over the underlying employer’s liability, commercial general liability, and automobile liability insurance described in the Paragraphs above. The coverage afforded must be at least as broad as that of each and every one of the underlying policies.

Excess or Umbrella Liability	Policy limits of not less than:
Each Occurrence	\$5,000,000
General Aggregate	\$5,000,000

- K. *Using Umbrella or Excess Liability Insurance to Meet CGL and Other Policy Limit Requirements:* Contractor may meet the policy limits specified for employer’s liability, commercial general liability, and automobile liability through the primary policies alone, or through combinations of the primary insurance policy’s policy limits and partial attribution of the policy limits of an umbrella or excess liability policy that is at least as broad in coverage as that of the underlying policy, as specified herein. If such umbrella or excess liability policy was required under this Contract, at a specified minimum policy limit, such umbrella or excess policy must retain a minimum limits equivalent to those required in paragraph 6.03J after accounting for partial attribution of its limits to underlying policies, as allowed above.

- L. *Contractor’s Pollution Liability Insurance:* Contractor shall purchase and maintain a policy covering third-party injury and property damage, including cleanup costs, as a result of pollution conditions arising from Contractor’s operations and completed operations. This insurance must be maintained for no less than three years after final completion.

Contractor’s Pollution Liability	Policy limits of not less than:
Each Occurrence/Claim	\$2,000,000
General Aggregate	\$2,000,000

- M. *Contractor’s Professional Liability Insurance:* If Contractor will provide or furnish professional services under this *Contract*, through a delegation of professional design services or otherwise, then Contractor shall be responsible for purchasing and maintaining applicable professional liability insurance. This insurance must cover negligent acts, errors, or omissions in the performance of professional design or related services by the insured or others for whom the insured is legally liable. The insurance must be maintained throughout the duration of the Contract and for a minimum of two years after Substantial Completion. The retroactive date on the policy must pre-date the commencement of furnishing services on the Project.

Contractor's Professional Liability	Policy limits of not less than:
Each Claim	\$1,000,000
Annual Aggregate	\$1,000,000

- N. *Railroad Protective Liability Insurance:* Prior to commencing any Work within 50 feet of railroad-owned and controlled property, Contractor shall (1) endorse its commercial general liability policy with ISO CG 24 17, removing the contractual liability exclusion for work within 50 feet of a railroad, (2) purchase and maintain railroad protective liability insurance meeting the following requirements, (3) furnish a copy of the endorsement to Owner, and (4) submit a copy of the railroad protective policy and other railroad-required documentation to the railroad, and notify Owner of such submittal.

Railroad Protective Liability Insurance	Policy limits of not less than:
Each Claim	\$N/A
Aggregate	\$N/A

- O. *Unmanned Aerial Vehicle Liability Insurance:* If Contractor uses unmanned aerial vehicles (UAV—commonly referred to as drones) at the Site or in support of any aspect of the Work, Contractor shall obtain UAV liability insurance in the amounts stated; name Owner, Engineer, and all individuals and entities identified in the Supplementary Conditions as additional insureds; and provide a certificate to Owner confirming Contractor's compliance with this requirement. Such insurance will provide coverage for property damage, bodily injury or death, and invasion of privacy.

Unmanned Aerial Vehicle Liability Insurance	Policy limits of not less than:
Each Claim	\$500,000
General Aggregate	\$1,000,000

SC-6.04

Delete Article 6.04 of the General Conditions in its entirety.

SC-6.05

Amend the last sentence of paragraph 6.05A of the General Conditions by striking out the words "held by Owner or Contractor as trustee or fiduciary, or."

SC-6.07

Add the following paragraph 6.07 after paragraph 6.06 of the General Conditions:

“6.07 Owner's Objections to Contractor's Insurance Coverage

- A. If Owner has any objection to the coverage afforded by or other provisions of the insurance required to be purchased and maintained by Contractor in accordance with this Article 6 on the

basis of its not complying with the Contract Documents, Owner will notify Contractor in writing thereof within thirty days of the date of delivery of such certificates to Owner in accordance with paragraph 6.02D. Contractor will provide such additional information in respect of insurance provided by him as Owner may reasonably request."

ARTICLE 7. CONTRACTOR'S RESPONSIBILITIES

SC-7.02

Delete paragraph 7.02B of the General Conditions in its entirety and replace with the following:

"B. At the site of the Work the Contractor shall employ a full-time construction superintendent or foreman who shall have full authority to act for the Contractor. It is understood that such representative shall be acceptable to the Engineer and shall be one who will be continued in the capacity for the particular job involved unless the representative ceases to be on the Contractor's payroll. If at any time during the Work the representative is deemed by the Engineer to be no longer acceptable, the representative shall be promptly replaced by the Contractor. All communications to the superintendent or foreman shall be as binding as if given to the Contractor."

SC-7.08

Delete the second sentence in paragraph 7.08A of the General Conditions.

SC-7.13

In line 3 of paragraph 7.13G of the General Conditions change "Supplementary Conditions" to "Contract Documents".

SC-7.16

In paragraph 7.16C.1 of the General Conditions, delete the word "timely" from the first line.

In paragraph 7.16E.1.b of the General Conditions, delete the word "timely" from the first line.

SC-7.18

Change the phrase "negligent act or omission" to "negligent or wrongful act or omission" in line 11 of paragraph 7.18A of the General Conditions.

Add the following to the end of paragraph 7.18A of the General Conditions:

"The Contractor hereby acknowledges its obligation under the foregoing paragraph to indemnify the Engineer and Owner against judgments suffered because of the Contractor's work and to assume the cost of defending the Engineer and Owner against claims as described in the foregoing paragraph."

ARTICLE 9. OWNER'S RESPONSIBILITIES

SC-9.02

Delete the phrase “provided Contractor makes no reasonable objection to the replacement engineer” in paragraph 9.02A of the General Conditions.

SC-9.06

Delete paragraph 9.06A of the General Conditions in its entirety.

SC-9.09

Insert the following after the first sentence of paragraph 9.09A of the General Conditions:

“However, the Owner shall have the right to direct the Contractor to perform the Work according to any sequence schedule set forth in the Contract Documents or established pursuant thereto.”

ARTICLE 10. ENGINEER'S STATUS DURING CONSTRUCTION

SC-10.01

Add a new paragraph 10.01B after paragraph 10.01A of the General Conditions, which is to read as follows:

"B. Nothing contained in the Contract Documents shall be construed to create a contractual relationship of any kind (1) between the Engineer and Contractor, (2) between the Owner and a Subcontractor or Subcontractors, or (3) between any person or entities other than the Owner and Contractor. The Engineer shall, however, be entitled to performance and enforcement of obligations under the Contract Documents intended to facilitate performance of the Engineer's duties."

SC-10.02

Insert the following at the end of paragraph 10.02B of the General Conditions:

“However, the Engineer shall have the right to direct the Contractor to perform the Work according to any sequence schedule set forth in the Contract Documents or established pursuant thereto.”

SC-10.03

Delete the last sentence of paragraph 10.03B.

SC-10.07

Insert the following after the first sentence of paragraph 10.07B of the General Conditions:

“However, the Engineer shall have the right to direct the Contractor to perform the Work according to any sequence schedule set forth in the Contract Documents or established pursuant thereto.”

ARTICLE 13. COST OF THE WORK; ALLOWANCES; UNIT PRICE WORK

Delete Article 13 of the General Conditions in its entirety and replace with the following:

"A. The unit price of an item of Unit Price work shall be subject to reevaluation and adjustment under the following conditions:

- (1) If the total extended bid price [Estimated Quantity times the Bid Unit Price] of a particular item of Unit Price Work amounts to 5 percent or more of the Original Contract Price and the variation in the quantity of the particular item of Unit Price Work performed by Contractor differs by more than 15 percent from the estimated quantity of such item indicated in the Agreement; and
- (2) If there is no corresponding adjustment with respect to any other item of work; and
- (3) If Contractor believes that Contractor has incurred additional expense as a result thereof, Contractor may make a claim for an adjustment in the Contract Price in accordance with Article 12 if the parties are unable to agree as to the effect of any such variations in the quantity of Unit Price Work performed. If Owner believes that the quantity variation entitles Owner to an adjustment in the unit price, Owner shall be entitled to an adjustment in the unit price in an amount determined by the Engineer. Engineer shall not be liable in connection with any determination relating to adjustments which is rendered in good faith."

ARTICLE 14. TESTS AND INSPECTIONS; CORRECTION, REMOVAL OR ACCEPTANCE OF DEFECTIVE WORK

SC-14.03

Delete the word “Prompt” at the beginning of paragraph 14.03C of the General Conditions.

SC-14.07

Revise paragraph 14.07A of the General Conditions as follows:

A. Delete the word “seven” and replace it with the word “ten” so that it reads “after ten days’ written notice to Contractor.”

ARTICLE 15. PAYMENTS TO CONTRACTOR; SET-OFFS; COMPLETION; CORRECTION PERIOD

SC-15.01

Delete paragraph 15.01B.4 of the General Conditions and insert the following in its place:

"4. Retainage with respect to progress payments will be five percent or, if stipulated, the maximum allowed by law."

Delete the word "immediate" from line 2 of subparagraph 15.01E.2 of the General Conditions.

Delete subparagraph 15.01E.3 of the General Conditions in its entirety.

SC-15.02

Delete paragraph 15.02A in its entirety and insert the following in its place:

"A. Contractor warrants and guarantees that title to all work, material and equipment covered by any Application for Payment, whether incorporated in the Project or not, will pass to Owner no later than at the time of Application for Payment free and clear of all liens. Contractor shall provide written transfer of title and a certified paid invoice provided by the supplier."

SC-15.03

Delete the third sentence of paragraph 15.03C of the General conditions and replace it with the following:

"Owner shall review the preliminary certificate and make written objection to Engineer as to any provisions of the certificate or attached punch list."

In the same paragraph, delete the phrase "within 14 days after submission of the preliminary certificate to Owner" in the fourth sentence; delete the phrase "within said 14 days" in the fifth sentence.

SC-15.06

Delete from lines 5 and 6 of paragraph 15.06B of the General Conditions the phrase "within 10 days after receipt of the final Application for Payment," in the first sentence.

SC-15.08

Delete paragraph 15.08A of the General Conditions and insert the following in its place:

"A. If within one year after the date of Substantial Completion or such longer period of time as may be prescribed by Laws or Regulations or by the terms of any applicable special guarantee required by the Contract Documents or by any specific provision of the Contract Documents, any work is found to be defective, Contractor shall promptly, without cost to Owner and in accordance with Owner's written instructions: (i) correct such defective work, or, if it has been rejected by Owner, remove it from the site and replace it with work that is not defective, and (ii) satisfactorily correct or remove and replace any damage to other work or the work of others therefrom. If Contractor does not begin the repairs within ten (10) days of receipt of written notification and promptly comply with the terms of Owner's written instructions, or in an emergency where delay would cause serious risk, loss or damage, Owner may have the defective work corrected or the rejected work removed and replaced, and all claims, costs,

losses and damages caused by or resulting from such removal and replacement (including but not limited to all costs of repair or replacement of work of others) will be paid by Contractor.”

ARTICLE 16. SUSPENSION OF WORK AND TERMINATION

SC-16.02

Add a new paragraph immediately after paragraph 16.02 A.4 of the General Conditions which is to read as follows:

"5. If the Work to be done under this Contract shall be abandoned, or if this Contract or any part thereof shall be sublet, without the previous written consent of Owner, or if the contract or any claim thereunder shall be assigned by Contractor otherwise than as herein specified."

ARTICLE 18. MISCELLANEOUS

SC-18.08

Replace paragraph 18.08A with the following:

“A. The Contractor shall not assign the whole or any part of this Contract or any moneys due or to become due hereunder until thirty (30) days prior notice in writing has been given to the Owner of the intention to assign, which notice shall state the identity and address of the prospective assignee. No assignment shall be made without the Owner's prior written consent. Such consent shall not be unreasonably withheld. In case the Contractor assigns all or any part of the moneys due or to become due under this Contract, the instrument of assignment shall contain a clause substantially to the effect that it is agreed that the right of the assignee in and to any moneys due or to become due to the Contractor shall be subject to prior claims of all persons, firms and corporations of services rendered or materials supplied for the performance of the work called for in this Contract.”

SC-18.11, 18.12, 18.13, 18.14

Add the following new paragraphs after paragraph 18.10 of the General Conditions:

“18.11 Liability

It is understood and agreed that members of the Owner or any agent or employees of the Owner signing this Agreement shall not be personally liable hereunder for any action incurred in connection with this Agreement.

18.12 State Statutes and Regulations

See Section 00830 of these Specifications for further modifications of the General Conditions due to state statutes and regulations.

18.13 Severability

If any provision of this Agreement shall be invalid or unenforceable to any extent or in any application, then the remainder of this Agreement and of such terms and conditions, except to such extent or in such application, shall not be affected thereby, and each and every term and condition of this Agreement shall be valid and enforced to the fullest extent and in the broadest application permitted by law."

END OF SECTION

SECTION 00830

STATE STATUTES AND REGULATIONS
COMMONWEALTH OF MASSACHUSETTS

A. REVISIONS TO GENERAL CONDITIONS

1. Definitions
2. Subsurface Conditions Found Different
3. Proprietary Specifications
4. Substitutions and “Or Equals” – Contractor’s Expense
5. Subcontracting
6. Permits
7. Massachusetts Sales and Use Tax
8. Contractor Records
9. Engineer’s Decisions on Requirements of Contract Documents and Acceptability of Work
10. Change of Contract Price
11. Payments
12. Suspension of Work and Termination
13. Special Requirements for Hazardous Wastes Contracts
14. Labor Classifications and Prevailing Wage Rates
15. Contractor’s Surety

B. OTHER REGULATORY REQUIREMENTS

1. Working Hours
2. DEP Community Sound Level Criteria
3. OSHA 10 Hour Certification Requirements

ATTACHMENT A

Prevailing Wage Rates

ATTACHMENT B

Excerpts from Chapter 149, Chapter 30 and Chapter 82 of the Massachusetts General Law

ATTACHMENT C

Goals for Participation by Minority Business Enterprises (MBE) and Women Business Enterprises (WBE) - NOT APPLICABLE TO THIS CONTRACT

ATTACHMENT D

Change Orders

A. REVISIONS TO GENERAL CONDITIONS:

1. Definitions

The term "Awarding Authority," as used herein, shall be considered to be synonymous with the term "Owner," described in definition 1.01 A.30.

Delete definition 1.01 A.42 entitled "Substantial Completion" in the General Conditions in its entirety and insert the following in its place:

"Substantial Completion shall be interpreted in accordance with Massachusetts General Law (MGL) c. 30, §39G or 39K as appropriate."

2. Subsurface Conditions Found Different

Add the following sentence to the end of paragraph 5.04A of the General Conditions:

"...to do so. Adjustments resulting from subsurface or latent physical conditions will be in accordance with MGL c. 30, §39N."

3. Proprietary Specifications

Revise the third sentence of Paragraph 7.05A of the General Conditions to read as follows:

"Unless the specification indicates that a proprietary item is called for, other items of material or equipment or material or equipment of other suppliers may be submitted to Engineer for review under the circumstances described below, and in accordance with MGL c. 30, §39M."

4. Substitutions and "Or Equals" – Contractor's Expense

Insert the following at the beginning of Paragraphs 7.05B and 7.06E of the General Conditions:

"Except as required by and indicated in the specifications and contract documents pursuant to MGL. c. 149, §44F,".

5. Subcontracting

Add the following language at the end of paragraph 7.06J of the General Conditions:

", except as required otherwise by MGL c. 149, §44F, for Work governed by MGL c. 149, §44A through 44H."

6. Permits

Delete paragraph 7.09A of the General Conditions in its entirety and insert the following in its place:

"A. Unless otherwise provided for in Section 00890 PERMITS, the Awarding Authority shall be responsible for identifying and obtaining all federal, state, and local permits required by the nature and location of construction, including but not limited to railroad permits, building construction permits, and permits for street and highway cuts and openings. Contractor shall be responsible for obtaining all permits required of its equipment, work force, or particular operations (such as blasting) in the performance of the Work and not otherwise specified to be obtained by the Awarding Authority. These permit fees shall be paid by Contractor. Contractor shall pay all governmental charges and inspection fees necessary for the prosecution of the Work, which are applicable at the time of opening of bids, or, if there are no Bids, on the Effective Date of the Agreement."

7. Massachusetts Sales and Use Tax

Add the following paragraph after paragraph 7.10A of the General Conditions:

"B. The materials and supplies to be used by the Contractor in the Work of this Contract are exempt from the Sales and Use Tax of the Commonwealth of Massachusetts. The Awarding Authority tax exemption certificate number will be furnished to the Contractor."

8. Contractor Records

Add a new paragraph immediately after paragraph 7.11C of the General Conditions, which is to read as follows:

"D. The Contractor shall comply with all applicable provisions Chapter 30, Section 39R of the Massachusetts General Laws regarding, Contractor's records."

9. Engineer's Decisions on Requirements of Contract Documents and Acceptability of Work

Add the following language at the end of paragraph 10.06A of the General Conditions:

"The Engineer's interpretation will be made in accordance with the requirements of MGL c. 30, §39P."

10. Change of Contract Price

Delete paragraphs 11.07, 13.01, 13.02 and 13.03 of the General Conditions, having to do

with Change of Contract Price. Changes in contract price will be governed by the section called "Change Orders," in Attachment D, Section 00830 and Article 13 in the Supplementary Conditions.

11. Payments

Add the following paragraph after Paragraph 15.01B.4 of the General Conditions:

“5. The Contractor shall submit Weekly Payroll Records Report and Statement of Compliance verifying compliance with the Minimum Prevailing Wage Law, MGL c. 149, §26-27H. These Statements of Compliance shall be submitted as a condition of payment for work performed during the period the reports apply.”

Delete paragraph 15.01C.1 of the General Conditions in its entirety and insert the following in its place:

“1. Progress Payments will be made in accordance with MGL c. 30, §39G, or §39K, as applicable.”

Delete paragraph 15.01D.1 of the General Conditions in its entirety and replace it with the following:

“1. Payment shall be made in accordance with MGL c. 30, §39G, or §39K, as applicable.”

Add the following new paragraph following paragraph 15.01D.1 of the General Conditions:

“2. The Contractor shall make payments to Subcontractors in accordance with the requirements of MGL c. 30, §39F.”

Delete paragraph 15.06B of the General Conditions in its entirety and insert the following in its place:

"Engineer's Review of Final Application and Recommendation of Payment: If, on the basis of the Engineer's observation of the Work during construction and final inspection and, upon the Engineer's review of the final Application for Payment and accompanying documentation, the Engineer is satisfied that the Work has been completed and that the Contractor's other obligations under the Contract Documents have been fulfilled, the Engineer will indicate in writing its recommendation of payment and present the Application to the Awarding Authority for payment. Thereupon the Engineer will give written notice to the Awarding Authority and the Contractor that the Work is acceptable subject to the provisions of paragraph 15.07. Otherwise, the Engineer will return the Application to Contractor, indicating in writing the reasons for refusing to recommend final payment. In such case the Contractor shall make the necessary corrections and resubmit the Application. If the Application and accompanying documentation are appropriate as to form and substance, the Awarding Authority shall in accordance with the applicable provisions of the Massachusetts General Laws, make payment to the Contractor."

Delete paragraph 15.06E of the General Conditions in its entirety and replace it with the following:

“1. Payment shall be made in accordance with MGL c. 30, §39G, or §39K, as applicable.”

12. Suspension of Work and Termination

Delete paragraph 16.01A of the General Conditions in its entirety and insert the following in its place:

"A. The Awarding Authority may order, at any time and without cause, the Contractor to suspend or delay the Work in accordance with MGL c. 30, §39O."

13. Special Requirements for Hazardous Wastes Contracts

Add the following at the end of the first sentence of Paragraph 18.14 of the General Conditions:

“, and to the “Rules and Regulations for the Prevention of Accidents in Construction Operations Chapter 454 CMR (Code of Massachusetts Regulations) 10.00 et seq.”

14. Labor Classifications and Prevailing Wage Rates

Add the following paragraphs under the heading "Prevailing Wage Rates" after paragraph 18.14 of the Supplementary Conditions:

"18.15 Prevailing Wage Rates

- A. Prevailing Wage Rates as determined by the Director of the Executive Office of Labor and Workforce Development under the provisions of MGL c. 149, §26-27H apply to this project. A copy of the wage schedule is included in Attachment A of Section 00830. If, after the Notice of Award, it becomes necessary to employ any person in a trade or occupation not classified in the wage determinations, such person shall be paid at not less than such rates as shall be determined by the Director. Such approved minimum rate shall be retroactive to the time of the initial employment of such person in such trade or occupation. The Contractor shall notify the Awarding Authority of its intention to employ persons in trades or occupations not classified in the wage determinations as soon as possible in order to allow sufficient time for the Awarding Authority to obtain approved rates for such trades or occupations.
- B. The schedule of wages referred to above are minimum rates only, and the Awarding Authority will not consider any claims for additional compensation made by Contractor because of payment by the Contractor of any wage rate in excess of the applicable rate contained in the Contract.
- C. The said schedule of wages shall continue to be the minimum rates to be paid during the life of this Agreement, except in the case of the duration of this Agreement exceeding one year, when the Contractor will be responsible for requesting and

obtaining updated prevailing wage rates from the Owner before the one-year anniversary of the project's start date, and a legible copy of said schedule shall be kept posted in a conspicuous place at the site of the Work.

- D. Contractor and subcontractors shall submit a copy of weekly payroll records to the Awarding Authority and the Awarding Authority shall retain the records for a minimum of three years.”

15. Contractor's Surety

Add the following sentences at the end of paragraph 6.01A:

“The Surety Company providing the bonds shall have a rating of A or better within the Best Key Rating Guide and be licensed by the Massachusetts Division of Insurance. The Contractor shall pay the premiums for such Bonds.”

B. OTHER REGULATORY REQUIREMENTS:

1. Working Hours

No laborer, workman, mechanic, foreman, or inspector, working within the Commonwealth, in the employ of the Contractor, subcontractor, or other person doing or contracting to do the whole or a part of the work contemplated by this contract, shall be required or permitted to work more than eight hours in any one day or more than forty-eight hours in any one week, or more than six days in any one week, except in cases of emergency.

2. DEP Community Sound Level Criteria

The Community Sound Level Criteria as established by the Commonwealth of Massachusetts' Department of Environmental Protection (DEP) must be conformed to prior to the Awarding Authority's acceptance of the structure. The following sound level criteria must be met at the construction site:

- A. The increase in the broadband noise level shall not be in excess of ten (10) dB(A) above ambient at the station boundary. The ambient level is defined as the A-weighted noise level that is exceeded ninety (90) percent of the time measured during the period in question.
- B. The primary noise source(s) shall not produce a puretone condition. Puretone is any given octave band center frequency that exceeds the two adjacent center frequencies by three (3) or more decibels.

3. OSHA 10 Hour Certification Requirements

All employees of the Contractor who work at the jobsite must have received OSHA 10 Hour safety training, and have proof, at the jobsite, of being certified by OSHA as having received the training. The Contractor must provide written proof (copy of OSHA card each employee

is required to carry is preferred) of this certification for every employee with submission of the first certified payroll report for each employee.

END OF SECTION

SECTION 00 83 00

ATTACHMENT A

PREVAILING WAGE RATES

THE MASSACHUSETTS PREVAILING WAGE LAW

M.G.L. C. 149, §§26-27

NOTICE TO AWARDING AUTHORITIES

- A. The enclosed wage schedule applies only to the specific project listed at the top of the schedule, and these rates will remain in effect for the duration of the project, except in the case of multi-year projects. For projects lasting longer than one year, awarding authorities must request updated rates.
- B. You should request an updated wage schedule from the Department of Labor Standards if you have not opened bids or selected a contractor within 90 days of the date of issuance of the enclosed wage schedule.
- C. The wage schedule shall be incorporated in any advertisement or call for bids for the project for which it has been issued.
- D. Once a contractor has been selected by the awarding authority, the wage schedule shall be made a part of the contract for that project.

NOTICE TO CONTRACTORS

- E. The enclosed wage schedule must be posted in a conspicuous place at the work site during the life of the project.
- F. The wages listed on the enclosed wage schedule must be paid to employees on public works projects regardless of whether they are employed by the prime contractor, a filed sub-bidder, or any sub-contractor.
- G. The enclosed wage schedule applies to all phases of the project, including the final clean-up. Contractors whose only role is to perform final clean-up must pay their employees according to this wage schedule.
- H. All apprentices must be registered with the Massachusetts Division of Apprenticeship Standards (DAS) in order to be paid at the lower apprentice rates. All apprentices must keep his/her apprentice identification card on his/her person during all work hours. If a worker is not registered with DAS, they must be paid the "total rate" listed on the wage schedule regardless of experience or skill level. For further information, please call 617-626-5409, or write to:

DAS
19 Staniford Street, 1st Floor
P.O. Box 146759
Boston, MA 0211

WEEKLY STATEMENT OF COMPLIANCE

In accordance with Massachusetts General Law c. 149, §27B, a true and accurate record must be kept of all persons employed on the public works project for which the enclosed rates have been provided. A Payroll Form is available from the Department of Labor Standards (DLS) at mass.gov/dols/pw and includes all the information required to be kept by law. Every contractor or subcontractor is required to keep these records and preserve them for a period of three years from the date of completion of the contract.

On a weekly basis, every contractor and subcontractor is required to submit a certified copy of their weekly payroll records to the awarding authority; this includes the payroll forms and the Statement of Compliance form. The certified payroll records must be submitted either by regular mail or by e-mail to the awarding authority. Once collected, the awarding authority is required to preserve those records for three years from the date of completion of the project.

Each such contractor and subcontractor shall furnish weekly **and** within 15 days after completion of its portion of the work, to the awarding authority directly by first-class mail or email, a statement, executed by the contractor, subcontractor or by any authorized officer thereof who supervised the payment of wages, this form, accompanied by their payroll:

WEEKLY STATEMENT OF COMPLIANCE

_____, 20____

I, _____, _____,
(Name of signatory party) (Title)

do hereby state:

That I pay or supervise the payment of the persons employed by
_____ on the _____
(Contractor, subcontractor or public body) (Building or project)

and that all mechanics and apprentices, teamsters, chauffeurs and laborers employed on said project have been paid in accordance with wages determined under the provisions of sections twenty-six and twenty-seven of chapter one hundred and forty nine of the General Laws.

Signature _____

Title _____

WEEKLY CERTIFIED PAYROLL REPORT AND WORKFORCE PARTICIPATION FORM

CERTIFIED PAYROLL REPORT: Pursuant to MGL c. 149, s. 27B, every contractor and subcontractor is required to submit a true and accurate copy of their certified weekly payroll records to the awarding authority by first-class mail or e-mail. In addition, each weekly payroll must be accompanied by a statement of compliance signed by the employer. Failure to comply may result in the commencement of a criminal action or the issuance of a civil citation.

WORKFORCE PARTICIPATION GOALS: The Commonwealth of Massachusetts has set the following goals for workforce participation for minorities and women. The participation goals for this project shall be 15.3% for minorities and 6.9% for women. The Contractor shall strive to achieve on this project the labor workforce participation goals contained herein. **The Contractor shall enter the number of hours worked in each trade by each employee, identified as woman, minority, or non-minority below.**

Company Name:					Address:					Phone No.:				Payroll No.:									
Employer's Signature:					Title:					Contract No.:		Tax Payer ID #:		Work Week Ending:									
Awarding Authority Name:					Public Works Project Name:					Public Works Project Location:				Min. Wage Rate Sheet Number:									
General / Prime Contractor's Name:					Subcontractor's Name:					Employer Hourly Fringe Benefit Contributions													
(B+C+D+E) (A x F)																							
Employee Name & Complete Address	Work Classification	Project Hours Non-Minority	Project Hours Minority	Project Hours Women	Employee is OSHA 10 certified (?)	Appr. Rate (%)	Hours Worked							Project Hours (A) All Other Hours	Hourly Base Wage (B)	Health & Welfare Insurance (C)	ERISA Pension Plan (D)	Supp. Unemp. (E)	Total Hourly Prev. Wage (F)	Project Gross Wages Total Gross Wages	Check No. (H)		
							Su.	Mo.	Tu.	We.	Th.	Fr.	Sa.										

APPRENTICESHIP DOCUMENTATION:

Please answer the questions below.

- (1) Are any apprentice employees identified above?
- (2) If yes, are all apprentice employees identified above currently registered with the MA DLS Division of Apprentices Standards?
- (3) If yes, is a copy of the apprentice ID card issued by the MA DLS Division of Apprentices Standards included for all apprentice employees identified above?

YES <input style="width: 40px; height: 20px;" type="text"/>	NO <input style="width: 40px; height: 20px;" type="text"/>
YES <input style="width: 40px; height: 20px;" type="text"/>	NO <input style="width: 40px; height: 20px;" type="text"/>
YES <input style="width: 40px; height: 20px;" type="text"/>	NO <input style="width: 40px; height: 20px;" type="text"/>



MAURA HEALEY
Governor

KIM DRISCOLL
Lt. Governor

THE COMMONWEALTH OF MASSACHUSETTS
EXECUTIVE OFFICE OF LABOR AND WORKFORCE DEVELOPMENT
DEPARTMENT OF LABOR STANDARDS

Prevailing Wage Rates

As determined by the Director under the provisions of the
Massachusetts General Laws, Chapter 149, Sections 26 to 27H

LAUREN JONES
Secretary

MICHAEL FLANAGAN
Director

Awarding Authority: Town of Arlington
Contract Number: 24-34 **City/Town:** ARLINGTON
Description of Work: #24-34 Roadway Rehabilitation - Various Locations. Work to include milling and overlay and ancillary work, including curbing, sidewalks, adjacent utility structures, and line work painting.
Job Location: Various Locations, Arlington, MA

Information about Prevailing Wage Schedules for Awarding Authorities and Contractors

- The wage rates will remain in effect for the duration of the project, except in the case of multi-year public construction projects. For construction projects lasting longer than one year, awarding authorities must request an updated wage schedule no later than two weeks before the anniversary of the date the contract was executed by the awarding authority and the general contractor. For multi-year CM AT RISK projects, the awarding authority must request an annual update no later than two weeks before the anniversary date, determined as the earlier of: (a) the execution date of the GMP Amendment, or (b) the execution date of the first amendment to permit procurement of construction services. The updated wage schedule must be provided to all contractors, including general and sub-contractors, working on the construction project.
- This annual update requirement is generally not applicable to 27F "rental of equipment" contracts. For such contracts, the prevailing wage rates issued by DLS shall remain in effect for the duration of the contract term. However, if the prevailing wage rate sheet issued does not contain wage rates for each year covered by the contract term, the Awarding Authority must request updated rate sheets from DLS and provide them to the contractor to ensure the correct rates are being paid throughout the duration of the contract. Additionally, if an Awarding Authority exercises an option to renew or extend the contract term, they must request updated rate sheets from DLS and provide them to the contractor.
- This wage schedule applies only to the specific project referenced at the top of this page and uniquely identified by the "Wage Request Number" on all pages of this schedule.
- An Awarding Authority must request an updated wage schedule if it has not opened bids or selected a contractor within 90 days of the date of issuance of the wage schedule. For CM AT RISK projects (bid pursuant to G.L. c.149A), the earlier of: (a) the execution date of the GMP Amendment, or (b) the bid for the first construction scope of work must be within 90-days of the wage schedule issuance date.
- The wage schedule shall be incorporated in any advertisement or call for bids for the project as required by M.G.L. c. 149, § 27. The wage schedule shall be made a part of the contract awarded for the project. The wage schedule must be posted in a conspicuous place at the work site for the life of the project in accordance with M.G.L. c. 149 § 27. The wages listed on the wage schedule must be paid to employees performing construction work on the project whether they are employed by the prime contractor, a filed sub-bidder, or a sub-contractor.
- Apprentices working on the project are required to be registered with the Massachusetts Division of Apprentice Standards (DAS). Apprentices must keep their apprentice identification card on their persons during all work hours on the project. An apprentice registered with DAS may be paid the lower apprentice wage rate at the applicable step as provided on the prevailing wage schedule. **Any apprentice not registered with DAS regardless of whether they are registered with another federal, state, local, or private agency must be paid the journeyworker's rate.**
- Every contractor or subcontractor working on the construction project must submit weekly payroll reports and a Statement of Compliance directly to the awarding authority by mail or email and keep them on file for three years. Each weekly payroll report must contain: the employee's name, address, occupational classification, hours worked, and wages paid. Do not submit weekly payroll reports to DLS. For a sample payroll reporting form go to <http://www.mass.gov/dols/pw>.
- Contractors with questions about the wage rates or classifications included on the wage schedule have an affirmative obligation to inquire with DLS at (617) 626-6953.
- Contractors must obtain the wage schedules from awarding authorities. Failure of a contractor or subcontractor to pay the prevailing wage rates listed on the wage schedule to all employees who perform construction work on the project is a violation of the law and subjects the contractor or subcontractor to civil and criminal penalties.
- Employees not receiving the prevailing wage rate set forth on the wage schedule may file a complaint with the Fair Labor Division of the office of the Attorney General at (617) 727-3465.

Classification	Effective Date	Base Wage	Health	Pension	Supplemental Unemployment	Total Rate
Construction						
(2 AXLE) DRIVER - EQUIPMENT <i>TEAMSTERS JOINT COUNCIL NO. 10 ZONE A</i>	08/01/2024	\$41.05	\$14.91	\$18.67	\$0.00	\$74.63
	12/01/2024	\$41.05	\$14.91	\$20.17	\$0.00	\$76.13
	06/01/2025	\$42.05	\$14.91	\$20.17	\$0.00	\$77.13
	08/01/2025	\$42.05	\$15.41	\$20.17	\$0.00	\$77.63
	12/01/2025	\$42.05	\$15.41	\$21.78	\$0.00	\$79.24
	06/01/2026	\$43.05	\$15.41	\$21.78	\$0.00	\$80.24
	08/01/2026	\$43.05	\$15.91	\$21.78	\$0.00	\$80.74
	12/01/2026	\$43.05	\$15.91	\$23.52	\$0.00	\$82.48
(3 AXLE) DRIVER - EQUIPMENT <i>TEAMSTERS JOINT COUNCIL NO. 10 ZONE A</i>	08/01/2024	\$40.88	\$14.91	\$18.67	\$0.00	\$74.46
	12/01/2024	\$40.88	\$14.91	\$20.17	\$0.00	\$75.96
	06/01/2025	\$41.12	\$14.91	\$20.17	\$0.00	\$76.20
	08/01/2025	\$41.12	\$15.41	\$20.17	\$0.00	\$76.70
	12/01/2025	\$41.12	\$15.41	\$21.78	\$0.00	\$78.31
	06/01/2026	\$43.12	\$15.41	\$21.78	\$0.00	\$80.31
	08/01/2026	\$43.12	\$15.91	\$21.78	\$0.00	\$80.81
	12/01/2026	\$43.12	\$15.91	\$23.52	\$0.00	\$82.55
(4 & 5 AXLE) DRIVER - EQUIPMENT <i>TEAMSTERS JOINT COUNCIL NO. 10 ZONE A</i>	08/01/2024	\$41.24	\$14.91	\$18.67	\$0.00	\$74.82
	12/01/2024	\$41.24	\$14.91	\$20.17	\$0.00	\$76.32
	06/01/2025	\$42.24	\$14.91	\$20.17	\$0.00	\$77.32
	08/01/2025	\$42.24	\$15.41	\$20.17	\$0.00	\$77.82
	12/01/2025	\$42.24	\$15.41	\$21.78	\$0.00	\$79.43
	06/01/2026	\$43.24	\$15.41	\$21.78	\$0.00	\$80.43
	08/01/2026	\$43.24	\$15.91	\$21.78	\$0.00	\$80.93
	12/01/2026	\$43.24	\$15.91	\$23.52	\$0.00	\$82.67
ADS/SUBMERSIBLE PILOT <i>PILE DRIVER LOCAL 56 (ZONE 1)</i>	08/01/2020	\$103.05	\$9.40	\$23.12	\$0.00	\$135.57
For apprentice rates see "Apprentice- PILE DRIVER"						
AIR TRACK OPERATOR <i>LABORERS - ZONE 1</i>	12/01/2023	\$45.08	\$9.65	\$18.07	\$0.00	\$72.80
For apprentice rates see "Apprentice- LABORER"						
AIR TRACK OPERATOR (HEAVY & HIGHWAY) <i>LABORERS - ZONE 1 (HEAVY & HIGHWAY)</i>	06/01/2024	\$46.23	\$9.65	\$18.40	\$0.00	\$74.28
	12/01/2024	\$47.70	\$9.65	\$18.40	\$0.00	\$75.75
	06/01/2025	\$49.20	\$9.65	\$18.40	\$0.00	\$77.25
	12/01/2025	\$50.70	\$9.65	\$18.40	\$0.00	\$78.75
	06/01/2026	\$52.25	\$9.65	\$18.40	\$0.00	\$80.30
	12/01/2026	\$53.75	\$9.65	\$18.40	\$0.00	\$81.80
For apprentice rates see "Apprentice- LABORER (Heavy and Highway)"						
ASBESTOS REMOVER - PIPE / MECH. EQUIPT. <i>HEAT & FROST INSULATORS LOCAL 6 (BOSTON)</i>	06/01/2024	\$41.80	\$14.50	\$11.05	\$0.00	\$67.35
	12/01/2024	\$42.80	\$14.50	\$11.05	\$0.00	\$68.35
	06/01/2025	\$43.80	\$14.50	\$11.05	\$0.00	\$69.35
	12/01/2025	\$44.80	\$14.50	\$11.05	\$0.00	\$70.35
ASPHALT RAKER <i>LABORERS - ZONE 1</i>	12/01/2023	\$44.58	\$9.65	\$18.07	\$0.00	\$72.30
For apprentice rates see "Apprentice- LABORER"						

Classification	Effective Date	Base Wage	Health	Pension	Supplemental Unemployment	Total Rate
ASPHALT RAKER (HEAVY & HIGHWAY) <i>LABORERS - ZONE 1 (HEAVY & HIGHWAY)</i>	06/01/2024	\$45.73	\$9.65	\$18.40	\$0.00	\$73.78
	12/01/2024	\$47.20	\$9.65	\$18.40	\$0.00	\$75.25
	06/01/2025	\$48.70	\$9.65	\$18.40	\$0.00	\$76.75
	12/01/2025	\$50.20	\$9.65	\$18.40	\$0.00	\$78.25
	06/01/2026	\$51.75	\$9.65	\$18.40	\$0.00	\$79.80
	12/01/2026	\$53.25	\$9.65	\$18.40	\$0.00	\$81.30
For apprentice rates see "Apprentice- LABORER (Heavy and Highway)						
ASPHALT/CONCRETE/CRUSHER PLANT-ON SITE <i>OPERATING ENGINEERS LOCAL 4</i>	06/01/2024	\$56.03	\$15.30	\$16.40	\$0.00	\$87.73
	12/01/2024	\$57.48	\$15.30	\$16.40	\$0.00	\$89.18
	06/01/2025	\$58.78	\$15.30	\$16.40	\$0.00	\$90.48
	12/01/2025	\$60.23	\$15.30	\$16.40	\$0.00	\$91.93
	06/01/2026	\$61.53	\$15.30	\$16.40	\$0.00	\$93.23
	12/01/2026	\$62.98	\$15.30	\$16.40	\$0.00	\$94.68
For apprentice rates see "Apprentice- OPERATING ENGINEERS"						
BACKHOE/FRONT-END LOADER <i>OPERATING ENGINEERS LOCAL 4</i>	06/01/2024	\$56.03	\$15.30	\$16.40	\$0.00	\$87.73
	12/01/2024	\$57.48	\$15.30	\$16.40	\$0.00	\$89.18
	06/01/2025	\$58.78	\$15.30	\$16.40	\$0.00	\$90.48
	12/01/2025	\$60.23	\$15.30	\$16.40	\$0.00	\$91.93
	06/01/2026	\$61.53	\$15.30	\$16.40	\$0.00	\$93.23
	12/01/2026	\$62.98	\$15.30	\$16.40	\$0.00	\$94.68
For apprentice rates see "Apprentice- OPERATING ENGINEERS"						
BARCO-TYPE JUMPING TAMPER <i>LABORERS - ZONE 1</i>	12/01/2023	\$44.58	\$9.65	\$18.07	\$0.00	\$72.30
For apprentice rates see "Apprentice- LABORER"						
BLOCK PAVER, RAMMER / CURB SETTER <i>LABORERS - ZONE 1</i>	12/01/2023	\$45.08	\$9.65	\$18.07	\$0.00	\$72.80
For apprentice rates see "Apprentice- LABORER"						
BLOCK PAVER, RAMMER / CURB SETTER (HEAVY & HIGHWAY) <i>LABORERS - ZONE 1 (HEAVY & HIGHWAY)</i>	06/01/2024	\$46.23	\$9.65	\$18.40	\$0.00	\$74.28
	12/01/2024	\$47.70	\$9.65	\$18.40	\$0.00	\$75.75
	06/01/2025	\$49.20	\$9.65	\$18.40	\$0.00	\$77.25
	12/01/2025	\$50.70	\$9.65	\$18.40	\$0.00	\$78.75
	06/01/2026	\$52.25	\$9.65	\$18.40	\$0.00	\$80.30
	12/01/2026	\$53.75	\$9.65	\$18.40	\$0.00	\$81.80
For apprentice rates see "Apprentice- LABORER (Heavy and Highway)						
BOILER MAKER <i>BOILERMAKERS LOCAL 29</i>	01/01/2024	\$48.12	\$7.07	\$20.60	\$0.00	\$75.79

Classification

Effective Date Base Wage Health Pension Supplemental Unemployment Total Rate

Apprentice - BOILERMAKER - Local 29

Effective Date - 01/01/2024

Step	percent	Apprentice Base Wage	Health	Pension	Supplemental Unemployment	Total Rate
1	65	\$31.28	\$7.07	\$13.22	\$0.00	\$51.57
2	65	\$31.28	\$7.07	\$13.22	\$0.00	\$51.57
3	70	\$33.68	\$7.07	\$14.23	\$0.00	\$54.98
4	75	\$36.09	\$7.07	\$15.24	\$0.00	\$58.40
5	80	\$38.50	\$7.07	\$16.25	\$0.00	\$61.82
6	85	\$40.90	\$7.07	\$17.28	\$0.00	\$65.25
7	90	\$43.31	\$7.07	\$18.28	\$0.00	\$68.66
8	95	\$45.71	\$7.07	\$19.32	\$0.00	\$72.10

Notes:

Apprentice to Journeyworker Ratio:1:4

BRICK/STONE/ARTIFICIAL MASONRY (INCL. MASONRY WATERPROOFING)	08/01/2024	\$64.50	\$11.49	\$23.59	\$0.00	\$99.58
BRICKLAYERS LOCAL 3 (BOSTON)	02/01/2025	\$65.80	\$11.49	\$23.59	\$0.00	\$100.88
	08/01/2025	\$67.95	\$11.49	\$23.59	\$0.00	\$103.03
	02/01/2026	\$69.30	\$11.49	\$23.59	\$0.00	\$104.38
	08/01/2026	\$71.50	\$11.49	\$23.59	\$0.00	\$106.58
	02/01/2027	\$72.90	\$11.49	\$23.59	\$0.00	\$107.98

Apprentice - BRICK/PLASTER/CEMENT MASON - Local 3 Boston

Effective Date - 08/01/2024

Step	percent	Apprentice Base Wage	Health	Pension	Supplemental Unemployment	Total Rate
1	50	\$32.25	\$11.49	\$23.59	\$0.00	\$67.33
2	60	\$38.70	\$11.49	\$23.59	\$0.00	\$73.78
3	70	\$45.15	\$11.49	\$23.59	\$0.00	\$80.23
4	80	\$51.60	\$11.49	\$23.59	\$0.00	\$86.68
5	90	\$58.05	\$11.49	\$23.59	\$0.00	\$93.13

Notes:

Apprentice to Journeyworker Ratio:1:5

BULLDOZER/GRADER/SCRAPER	06/01/2024	\$55.41	\$15.30	\$16.40	\$0.00	\$87.11
OPERATING ENGINEERS LOCAL 4	12/01/2024	\$56.85	\$15.30	\$16.40	\$0.00	\$88.55
	06/01/2025	\$58.13	\$15.30	\$16.40	\$0.00	\$89.83
	12/01/2025	\$59.57	\$15.30	\$16.40	\$0.00	\$91.27
	06/01/2026	\$60.85	\$15.30	\$16.40	\$0.00	\$92.55
	12/01/2026	\$62.29	\$15.30	\$16.40	\$0.00	\$93.99

For apprentice rates see "Apprentice- OPERATING ENGINEERS"

Classification	Effective Date	Base Wage	Health	Pension	Supplemental Unemployment	Total Rate
CAISSON & UNDERPINNING BOTTOM MAN <i>LABORERS - FOUNDATION AND MARINE</i>	06/01/2024	\$46.63	\$9.65	\$18.22	\$0.00	\$74.50
	12/01/2024	\$48.10	\$9.65	\$18.22	\$0.00	\$75.97
	06/01/2025	\$49.60	\$9.65	\$18.22	\$0.00	\$77.47
	12/01/2025	\$51.10	\$9.65	\$18.22	\$0.00	\$78.97
	06/01/2026	\$52.65	\$9.65	\$18.22	\$0.00	\$80.52
	12/01/2026	\$54.15	\$9.65	\$18.22	\$0.00	\$82.02
	For apprentice rates see "Apprentice- LABORER"					
CAISSON & UNDERPINNING LABORER <i>LABORERS - FOUNDATION AND MARINE</i>	06/01/2024	\$45.48	\$9.65	\$18.22	\$0.00	\$73.35
	12/01/2024	\$46.95	\$9.65	\$18.22	\$0.00	\$74.82
	06/01/2025	\$48.45	\$9.65	\$18.22	\$0.00	\$76.32
	12/01/2025	\$49.95	\$9.65	\$18.22	\$0.00	\$77.82
	06/01/2026	\$51.50	\$9.65	\$18.22	\$0.00	\$79.37
	12/01/2026	\$53.00	\$9.65	\$18.22	\$0.00	\$80.87
	For apprentice rates see "Apprentice- LABORER"					
CAISSON & UNDERPINNING TOP MAN <i>LABORERS - FOUNDATION AND MARINE</i>	06/01/2024	\$45.81	\$9.65	\$18.22	\$0.00	\$73.68
	12/01/2024	\$47.28	\$9.65	\$18.22	\$0.00	\$75.15
	06/01/2025	\$48.78	\$9.65	\$18.22	\$0.00	\$76.65
	12/01/2025	\$50.28	\$9.65	\$18.22	\$0.00	\$78.15
	06/01/2026	\$51.83	\$9.65	\$18.22	\$0.00	\$79.70
	12/01/2026	\$53.33	\$9.65	\$18.22	\$0.00	\$81.20
	For apprentice rates see "Apprentice- LABORER"					
CARBIDE CORE DRILL OPERATOR <i>LABORERS - ZONE 1</i>	12/01/2023	\$44.58	\$9.65	\$18.07	\$0.00	\$72.30
For apprentice rates see "Apprentice- LABORER"						
CARPENTER <i>CARPENTERS -ZONE 2 (Eastern Massachusetts)</i>	03/01/2024	\$47.12	\$9.83	\$19.97	\$0.00	\$76.92
	09/01/2024	\$48.37	\$9.83	\$19.97	\$0.00	\$78.17
	03/01/2025	\$49.62	\$9.83	\$19.97	\$0.00	\$79.42
	09/01/2025	\$50.87	\$9.83	\$19.97	\$0.00	\$80.67
	03/01/2026	\$52.12	\$9.83	\$19.97	\$0.00	\$81.92
	09/01/2026	\$53.37	\$9.83	\$19.97	\$0.00	\$83.17
	03/01/2027	\$54.62	\$9.83	\$19.97	\$0.00	\$84.42

Classification

Effective Date Base Wage Health Pension Supplemental Unemployment Total Rate

Apprentice - CARPENTER - Zone 2 Eastern MA

Effective Date - 03/01/2024

Step	percent	Apprentice Base Wage	Health	Pension	Supplemental Unemployment	Total Rate
1	45	\$21.20	\$9.83	\$1.73	\$0.00	\$32.76
2	45	\$21.20	\$9.83	\$1.73	\$0.00	\$32.76
3	55	\$25.92	\$9.83	\$3.40	\$0.00	\$39.15
4	55	\$25.92	\$9.83	\$3.40	\$0.00	\$39.15
5	70	\$32.98	\$9.83	\$16.51	\$0.00	\$59.32
6	70	\$32.98	\$9.83	\$16.51	\$0.00	\$59.32
7	80	\$37.70	\$9.83	\$18.24	\$0.00	\$65.77
8	80	\$37.70	\$9.83	\$18.24	\$0.00	\$65.77

Effective Date - 09/01/2024

Step	percent	Apprentice Base Wage	Health	Pension	Supplemental Unemployment	Total Rate
1	45	\$21.77	\$9.83	\$1.73	\$0.00	\$33.33
2	45	\$21.77	\$9.83	\$1.73	\$0.00	\$33.33
3	55	\$26.60	\$9.83	\$3.40	\$0.00	\$39.83
4	55	\$26.60	\$9.83	\$3.40	\$0.00	\$39.83
5	70	\$33.86	\$9.83	\$16.51	\$0.00	\$60.20
6	70	\$33.86	\$9.83	\$16.51	\$0.00	\$60.20
7	80	\$38.70	\$9.83	\$18.24	\$0.00	\$66.77
8	80	\$38.70	\$9.83	\$18.24	\$0.00	\$66.77

Notes:

Apprentice to Journeyworker Ratio:1:5

CARPENTER WOOD FRAME	10/01/2023	\$25.55	\$7.02	\$4.80	\$0.00	\$37.37
CARPENTERS-ZONE 3 (Wood Frame)	10/01/2024	\$26.65	\$7.02	\$4.80	\$0.00	\$38.47
	10/01/2025	\$27.75	\$7.02	\$4.80	\$0.00	\$39.57
	10/01/2026	\$28.85	\$7.02	\$4.80	\$0.00	\$40.67

All Aspects of New Wood Frame Work

Classification

Effective Date Base Wage Health Pension Supplemental Unemployment Total Rate

Apprentice - CARPENTER (Wood Frame) - Zone 3

Effective Date - 10/01/2023

Step	percent	Apprentice Base Wage	Health	Pension	Supplemental Unemployment	Total Rate
1	60	\$15.33	\$7.02	\$0.00	\$0.00	\$22.35
2	60	\$15.33	\$7.02	\$0.00	\$0.00	\$22.35
3	65	\$16.61	\$7.02	\$1.00	\$0.00	\$24.63
4	70	\$17.89	\$7.02	\$1.00	\$0.00	\$25.91
5	75	\$19.16	\$7.02	\$4.80	\$0.00	\$30.98
6	80	\$20.44	\$7.02	\$4.80	\$0.00	\$32.26
7	85	\$21.72	\$7.02	\$4.80	\$0.00	\$33.54
8	90	\$23.00	\$7.02	\$4.80	\$0.00	\$34.82

Effective Date - 10/01/2024

Step	percent	Apprentice Base Wage	Health	Pension	Supplemental Unemployment	Total Rate
1	60	\$15.99	\$7.02	\$0.00	\$0.00	\$23.01
2	60	\$15.99	\$7.02	\$0.00	\$0.00	\$23.01
3	65	\$17.32	\$7.02	\$1.00	\$0.00	\$25.34
4	70	\$18.66	\$7.02	\$1.00	\$0.00	\$26.68
5	75	\$19.99	\$7.02	\$4.80	\$0.00	\$31.81
6	80	\$21.32	\$7.02	\$4.80	\$0.00	\$33.14
7	85	\$22.65	\$7.02	\$4.80	\$0.00	\$34.47
8	90	\$23.99	\$7.02	\$4.80	\$0.00	\$35.81

Notes:

% Indentured After 10/1/17; 45/45/55/55/70/70/80/80
Step 1&2 \$18.52/ 3&4 \$21.07/ 5&6 \$28.70/ 7&8 \$31.26

Apprentice to Journeyworker Ratio:1:5

CEMENT MASONRY/PLASTERING BRICKLAYERS LOCAL 3 (BOSTON)	01/01/2024	\$49.33	\$13.00	\$23.57	\$1.30	\$87.20
---	------------	---------	---------	---------	--------	---------

Apprentice - CEMENT MASONRY/PLASTERING - Eastern Mass (Boston)

Effective Date - 01/01/2024

Step	percent	Apprentice Base Wage	Health	Pension	Supplemental Unemployment	Total Rate
1	50	\$24.67	\$13.00	\$15.93	\$0.00	\$53.60
2	60	\$29.60	\$13.00	\$18.57	\$1.30	\$62.47
3	65	\$32.06	\$13.00	\$19.57	\$1.30	\$65.93
4	70	\$34.53	\$13.00	\$20.57	\$1.30	\$69.40
5	75	\$37.00	\$13.00	\$21.57	\$1.30	\$72.87
6	80	\$39.46	\$13.00	\$22.57	\$1.30	\$76.33
7	90	\$44.40	\$13.00	\$23.57	\$1.30	\$82.27

Notes:

Steps 3,4 are 500 hrs. All other steps are 1,000 hrs.

Apprentice to Journeyworker Ratio:1:3

Classification	Effective Date	Base Wage	Health	Pension	Supplemental Unemployment	Total Rate
CHAIN SAW OPERATOR <i>LABORERS - ZONE 1</i>	12/01/2023	\$44.58	\$9.65	\$18.07	\$0.00	\$72.30
For apprentice rates see "Apprentice- LABORER"						
CLAM SHELLS/SLURRY BUCKETS/HEADING MACHINES <i>OPERATING ENGINEERS LOCAL 4</i>	06/01/2024	\$57.15	\$15.30	\$16.40	\$0.00	\$88.85
	12/01/2024	\$58.63	\$15.30	\$16.40	\$0.00	\$90.33
	06/01/2025	\$59.96	\$15.30	\$16.40	\$0.00	\$91.66
	12/01/2025	\$61.43	\$15.30	\$16.40	\$0.00	\$93.13
	06/01/2026	\$62.76	\$15.30	\$16.40	\$0.00	\$94.46
	12/01/2026	\$64.24	\$15.30	\$16.40	\$0.00	\$95.94
For apprentice rates see "Apprentice- OPERATING ENGINEERS"						
COMPRESSOR OPERATOR <i>OPERATING ENGINEERS LOCAL 4</i>	06/01/2024	\$36.17	\$15.30	\$16.40	\$0.00	\$67.87
	12/01/2024	\$37.12	\$15.30	\$16.40	\$0.00	\$68.82
	06/01/2025	\$37.97	\$15.30	\$16.40	\$0.00	\$69.67
	12/01/2025	\$38.92	\$15.30	\$16.40	\$0.00	\$70.62
	06/01/2026	\$39.78	\$15.30	\$16.40	\$0.00	\$71.48
	12/01/2026	\$40.73	\$15.30	\$16.40	\$0.00	\$72.43
For apprentice rates see "Apprentice- OPERATING ENGINEERS"						
DELEADER (BRIDGE) <i>PAINTERS LOCAL 35 - ZONE 2</i>	07/01/2024	\$57.26	\$9.95	\$23.95	\$0.00	\$91.16
	01/01/2025	\$58.46	\$9.95	\$23.95	\$0.00	\$92.36

Classification	Effective Date	Base Wage	Health	Pension	Supplemental Unemployment	Total Rate
DIRECTIONAL DRILL MACHINE OPERATOR <i>OPERATING ENGINEERS LOCAL 4</i>	06/01/2024	\$55.41	\$15.30	\$16.40	\$0.00	\$87.11
	12/01/2024	\$56.85	\$15.30	\$16.40	\$0.00	\$88.55
	06/01/2025	\$58.13	\$15.30	\$16.40	\$0.00	\$89.83
	12/01/2025	\$59.57	\$15.30	\$16.40	\$0.00	\$91.27
	06/01/2026	\$60.85	\$15.30	\$16.40	\$0.00	\$92.55
	12/01/2026	\$62.29	\$15.30	\$16.40	\$0.00	\$93.99
For apprentice rates see "Apprentice- OPERATING ENGINEERS"						
DIVER <i>PILE DRIVER LOCAL 56 (ZONE 1)</i>	08/01/2020	\$68.70	\$9.40	\$23.12	\$0.00	\$101.22
	For apprentice rates see "Apprentice- PILE DRIVER"					
DIVER TENDER <i>PILE DRIVER LOCAL 56 (ZONE 1)</i>	08/01/2020	\$49.07	\$9.40	\$23.12	\$0.00	\$81.59
	For apprentice rates see "Apprentice- PILE DRIVER"					
DIVER TENDER (EFFLUENT) <i>PILE DRIVER LOCAL 56 (ZONE 1)</i>	08/01/2020	\$73.60	\$9.40	\$23.12	\$0.00	\$106.12
	For apprentice rates see "Apprentice- PILE DRIVER"					
DIVER/SLURRY (EFFLUENT) <i>PILE DRIVER LOCAL 56 (ZONE 1)</i>	08/01/2020	\$103.05	\$9.40	\$23.12	\$0.00	\$135.57
	For apprentice rates see "Apprentice- PILE DRIVER"					
DRAWBRIDGE OPERATOR (Construction) <i>DRAWBRIDGE - SEIU LOCAL 888</i>	07/01/2020	\$26.77	\$6.67	\$3.93	\$0.16	\$37.53
ELECTRICIAN <i>ELECTRICIANS LOCAL 103</i>	03/01/2024	\$61.86	\$13.00	\$22.21	\$0.00	\$97.07
	09/01/2024	\$63.78	\$13.00	\$22.26	\$0.00	\$99.04
	03/01/2025	\$64.98	\$13.00	\$22.30	\$0.00	\$100.28
	09/01/2025	\$66.89	\$13.00	\$22.36	\$0.00	\$102.25
	03/01/2026	\$68.09	\$13.00	\$22.39	\$0.00	\$103.48
	09/01/2026	\$70.00	\$13.00	\$22.45	\$0.00	\$105.45
	03/01/2027	\$71.19	\$13.00	\$22.49	\$0.00	\$106.68
	09/01/2027	\$73.11	\$13.00	\$22.54	\$0.00	\$108.65
	03/01/2028	\$74.31	\$13.00	\$22.58	\$0.00	\$109.89

Classification

Effective Date Base Wage Health Pension Supplemental Unemployment Total Rate

Apprentice - ELECTRICIAN - Local 103

Effective Date - 03/01/2024

Step	percent	Apprentice Base Wage	Health	Pension	Supplemental Unemployment	Total Rate
1	40	\$24.74	\$13.00	\$0.74	\$0.00	\$38.48
2	40	\$24.74	\$13.00	\$0.74	\$0.00	\$38.48
3	45	\$27.84	\$13.00	\$16.67	\$0.00	\$57.51
4	45	\$27.84	\$13.00	\$16.67	\$0.00	\$57.51
5	50	\$30.93	\$13.00	\$17.17	\$0.00	\$61.10
6	55	\$34.02	\$13.00	\$17.67	\$0.00	\$64.69
7	60	\$37.12	\$13.00	\$18.17	\$0.00	\$68.29
8	65	\$40.21	\$13.00	\$18.68	\$0.00	\$71.89
9	70	\$43.30	\$13.00	\$19.18	\$0.00	\$75.48
10	75	\$46.40	\$13.00	\$19.69	\$0.00	\$79.09

Effective Date - 09/01/2024

Step	percent	Apprentice Base Wage	Health	Pension	Supplemental Unemployment	Total Rate
1	40	\$25.51	\$13.00	\$0.77	\$0.00	\$39.28
2	40	\$25.51	\$13.00	\$0.77	\$0.00	\$39.28
3	45	\$28.70	\$13.00	\$16.69	\$0.00	\$58.39
4	45	\$28.70	\$13.00	\$16.69	\$0.00	\$58.39
5	50	\$31.89	\$13.00	\$17.20	\$0.00	\$62.09
6	55	\$35.08	\$13.00	\$17.70	\$0.00	\$65.78
7	60	\$38.27	\$13.00	\$18.21	\$0.00	\$69.48
8	65	\$41.46	\$13.00	\$18.71	\$0.00	\$73.17
9	70	\$44.65	\$13.00	\$19.22	\$0.00	\$76.87
10	75	\$47.84	\$13.00	\$19.74	\$0.00	\$80.58

Notes :
App Prior 1/1/03; 30/35/40/45/50/55/65/70/75/80

Apprentice to Journeyworker Ratio:2:3***

ELEVATOR CONSTRUCTOR	01/01/2022	\$65.62	\$16.03	\$20.21	\$0.00	\$101.86
ELEVATOR CONSTRUCTORS LOCAL 4						

Apprentice - ELEVATOR CONSTRUCTOR - Local 4

Effective Date - 01/01/2022

Step	percent	Apprentice Base Wage	Health	Pension	Supplemental Unemployment	Total Rate
1	50	\$32.81	\$16.03	\$0.00	\$0.00	\$48.84
2	55	\$36.09	\$16.03	\$20.21	\$0.00	\$72.33
3	65	\$42.65	\$16.03	\$20.21	\$0.00	\$78.89
4	70	\$45.93	\$16.03	\$20.21	\$0.00	\$82.17
5	80	\$52.50	\$16.03	\$20.21	\$0.00	\$88.74

Notes:
Steps 1-2 are 6 mos.; Steps 3-5 are 1 year

Apprentice to Journeyworker Ratio:1:1

ELEVATOR CONSTRUCTOR HELPER <i>ELEVATOR CONSTRUCTORS LOCAL 4</i>	01/01/2022	\$45.93	\$16.03	\$20.21	\$0.00	\$82.17
---	------------	---------	---------	---------	--------	---------

For apprentice rates see "Apprentice - ELEVATOR CONSTRUCTOR"

FENCE & GUARD RAIL ERECTOR (HEAVY & HIGHWAY) <i>LABORERS - ZONE 1 (HEAVY & HIGHWAY)</i>	06/01/2024	\$45.73	\$9.65	\$18.40	\$0.00	\$73.78
	12/01/2024	\$47.20	\$9.65	\$18.40	\$0.00	\$75.25
	06/01/2025	\$48.70	\$9.65	\$18.40	\$0.00	\$76.75
	12/01/2025	\$50.20	\$9.65	\$18.40	\$0.00	\$78.25
	06/01/2026	\$51.75	\$9.65	\$18.40	\$0.00	\$79.80
	12/01/2026	\$53.25	\$9.65	\$18.40	\$0.00	\$81.30

For apprentice rates see "Apprentice- LABORER (Heavy and Highway)"

FIELD ENG.INST.PERSON-BLDG,SITE,HVY/HWY <i>OPERATING ENGINEERS LOCAL 4</i>	05/01/2024	\$50.79	\$15.00	\$16.40	\$0.00	\$82.19
	11/01/2024	\$52.08	\$15.00	\$16.40	\$0.00	\$83.48
	05/01/2025	\$53.52	\$15.00	\$16.40	\$0.00	\$84.92
	11/01/2025	\$54.81	\$15.00	\$16.40	\$0.00	\$86.21
	05/01/2026	\$56.25	\$15.00	\$16.40	\$0.00	\$87.65
	11/01/2026	\$57.54	\$15.00	\$16.40	\$0.00	\$88.94
	05/01/2027	\$58.97	\$15.00	\$16.40	\$0.00	\$90.37

For apprentice rates see "Apprentice- OPERATING ENGINEERS"

FIELD ENG.PARTY CHIEF-BLDG,SITE,HVY/HWY <i>OPERATING ENGINEERS LOCAL 4</i>	05/01/2024	\$52.37	\$15.00	\$16.40	\$0.00	\$83.77
	11/01/2024	\$53.67	\$15.00	\$16.40	\$0.00	\$85.07
	05/01/2025	\$55.12	\$15.00	\$16.40	\$0.00	\$86.52
	11/01/2025	\$56.42	\$15.00	\$16.40	\$0.00	\$87.82
	05/01/2026	\$57.87	\$15.00	\$16.40	\$0.00	\$89.27
	11/01/2026	\$59.17	\$15.00	\$16.40	\$0.00	\$90.57
	05/01/2027	\$60.62	\$15.00	\$16.40	\$0.00	\$92.02

For apprentice rates see "Apprentice- OPERATING ENGINEERS"

Classification	Effective Date	Base Wage	Health	Pension	Supplemental Unemployment	Total Rate
FIELD ENG.ROD PERSON-BLDG,SITE,HVY/HWY <i>OPERATING ENGINEERS LOCAL 4</i>	05/01/2024	\$24.91	\$15.00	\$16.40	\$0.00	\$56.31
	11/01/2024	\$25.67	\$15.00	\$16.40	\$0.00	\$57.07
	05/01/2025	\$26.52	\$15.00	\$16.40	\$0.00	\$57.92
	11/01/2025	\$27.28	\$15.00	\$16.40	\$0.00	\$58.68
	05/01/2026	\$28.13	\$15.00	\$16.40	\$0.00	\$59.53
	11/01/2026	\$28.89	\$15.00	\$16.40	\$0.00	\$60.29
	05/01/2027	\$29.74	\$15.00	\$16.40	\$0.00	\$61.14
For apprentice rates see "Apprentice- OPERATING ENGINEERS"						
FIRE ALARM INSTALLER <i>ELECTRICIANS LOCAL 103</i>	03/01/2024	\$61.86	\$13.00	\$22.21	\$0.00	\$97.07
	09/01/2024	\$63.78	\$13.00	\$22.26	\$0.00	\$99.04
	03/01/2025	\$64.98	\$13.00	\$22.30	\$0.00	\$100.28
	09/01/2025	\$66.89	\$13.00	\$22.36	\$0.00	\$102.25
	03/01/2026	\$68.09	\$13.00	\$22.39	\$0.00	\$103.48
	09/01/2026	\$70.00	\$13.00	\$22.45	\$0.00	\$105.45
	03/01/2027	\$71.19	\$13.00	\$22.49	\$0.00	\$106.68
	09/01/2027	\$73.11	\$13.00	\$22.54	\$0.00	\$108.65
	03/01/2028	\$74.31	\$13.00	\$22.58	\$0.00	\$109.89
For apprentice rates see "Apprentice- ELECTRICIAN"						
FIRE ALARM REPAIR / MAINTENANCE <i>LOCAL 103</i> / COMMISSIONING <i>ELECTRICIANS</i>	03/01/2024	\$49.49	\$13.00	\$20.19	\$0.00	\$82.68
	09/01/2024	\$51.02	\$13.00	\$20.24	\$0.00	\$84.26
	03/01/2025	\$51.98	\$13.00	\$20.27	\$0.00	\$85.25
	09/01/2025	\$53.51	\$13.00	\$20.32	\$0.00	\$86.83
	03/01/2026	\$54.47	\$13.00	\$20.34	\$0.00	\$87.81
	09/01/2026	\$56.00	\$13.00	\$20.39	\$0.00	\$89.39
	03/01/2027	\$56.95	\$13.00	\$20.42	\$0.00	\$90.37
	09/01/2027	\$58.49	\$13.00	\$20.46	\$0.00	\$91.95
03/01/2028	\$59.45	\$13.00	\$20.49	\$0.00	\$92.94	
For apprentice rates see "Apprentice- TELECOMMUNICATIONS TECHNICIAN"						
FIREMAN (ASST. ENGINEER) <i>OPERATING ENGINEERS LOCAL 4</i>	06/01/2024	\$45.23	\$15.30	\$16.40	\$0.00	\$76.93
	12/01/2024	\$46.41	\$15.30	\$16.40	\$0.00	\$78.11
	06/01/2025	\$47.47	\$15.30	\$16.40	\$0.00	\$79.17
	12/01/2025	\$48.64	\$15.30	\$16.40	\$0.00	\$80.34
	06/01/2026	\$49.70	\$15.30	\$16.40	\$0.00	\$81.40
	12/01/2026	\$50.88	\$15.30	\$16.40	\$0.00	\$82.58
For apprentice rates see "Apprentice- OPERATING ENGINEERS"						
FLAGGER & SIGNALER (HEAVY & HIGHWAY) <i>LABORERS - ZONE 1 (HEAVY & HIGHWAY)</i>	06/01/2024	\$27.01	\$9.65	\$18.40	\$0.00	\$55.06
	12/01/2024	\$27.01	\$9.65	\$18.40	\$0.00	\$55.06
	06/01/2025	\$28.09	\$9.65	\$18.40	\$0.00	\$56.14
	12/01/2025	\$28.09	\$9.65	\$18.40	\$0.00	\$56.14
	06/01/2026	\$29.21	\$9.65	\$18.40	\$0.00	\$57.26
	12/01/2026	\$29.21	\$9.65	\$18.40	\$0.00	\$57.26
For apprentice rates see "Apprentice- LABORER (Heavy and Highway)"						

Classification	Effective Date	Base Wage	Health	Pension	Supplemental Unemployment	Total Rate
FLOORCOVERER FLOORCOVERERS LOCAL 2168 ZONE I	03/01/2024	\$54.73	\$8.83	\$20.27	\$0.00	\$83.83
	09/01/2024	\$56.23	\$8.83	\$20.27	\$0.00	\$85.33
	03/01/2025	\$57.73	\$8.83	\$20.27	\$0.00	\$86.83
	09/01/2025	\$59.23	\$8.83	\$20.27	\$0.00	\$88.33
	03/01/2026	\$60.73	\$8.83	\$20.27	\$0.00	\$89.83
	09/01/2026	\$62.23	\$8.83	\$20.27	\$0.00	\$91.33
	03/01/2027	\$63.73	\$8.83	\$20.27	\$0.00	\$92.83

Apprentice - FLOORCOVERER - Local 2168 Zone I

Effective Date - 03/01/2024

Step	percent	Apprentice Base Wage	Health	Pension	Supplemental Unemployment	Total Rate
1	45	\$24.63	\$8.83	\$1.76	\$0.00	\$35.22
2	45	\$24.63	\$8.83	\$1.76	\$0.00	\$35.22
3	55	\$30.10	\$8.83	\$3.52	\$0.00	\$42.45
4	55	\$30.10	\$8.83	\$3.52	\$0.00	\$42.45
5	70	\$38.31	\$8.83	\$16.75	\$0.00	\$63.89
6	70	\$38.31	\$8.83	\$16.75	\$0.00	\$63.89
7	80	\$43.78	\$8.83	\$18.51	\$0.00	\$71.12
8	80	\$43.78	\$8.83	\$18.51	\$0.00	\$71.12

Effective Date - 09/01/2024

Step	percent	Apprentice Base Wage	Health	Pension	Supplemental Unemployment	Total Rate
1	45	\$25.30	\$8.83	\$1.76	\$0.00	\$35.89
2	45	\$25.30	\$8.83	\$1.76	\$0.00	\$35.89
3	55	\$30.93	\$8.83	\$3.52	\$0.00	\$43.28
4	55	\$30.93	\$8.83	\$3.52	\$0.00	\$43.28
5	70	\$39.36	\$8.83	\$16.75	\$0.00	\$64.94
6	70	\$39.36	\$8.83	\$16.75	\$0.00	\$64.94
7	80	\$44.98	\$8.83	\$18.51	\$0.00	\$72.32
8	80	\$44.98	\$8.83	\$18.51	\$0.00	\$72.32

Notes: Steps are 750 hrs.

Apprentice to Journeyworker Ratio:1:1

FORK LIFT/CHERRY PICKER OPERATING ENGINEERS LOCAL 4	06/01/2024	\$56.03	\$15.30	\$16.40	\$0.00	\$87.73
	12/01/2024	\$57.48	\$15.30	\$16.40	\$0.00	\$89.18
	06/01/2025	\$58.78	\$15.30	\$16.40	\$0.00	\$90.48
	12/01/2025	\$60.23	\$15.30	\$16.40	\$0.00	\$91.93
	06/01/2026	\$61.53	\$15.30	\$16.40	\$0.00	\$93.23
	12/01/2026	\$62.98	\$15.30	\$16.40	\$0.00	\$94.68

For apprentice rates see "Apprentice- OPERATING ENGINEERS"

Classification	Effective Date	Base Wage	Health	Pension	Supplemental Unemployment	Total Rate
GENERATOR/LIGHTING PLANT/HEATERS <i>OPERATING ENGINEERS LOCAL 4</i>	06/01/2024	\$36.17	\$15.30	\$16.40	\$0.00	\$67.87
	12/01/2024	\$37.12	\$15.30	\$16.40	\$0.00	\$68.82
	06/01/2025	\$37.97	\$15.30	\$16.40	\$0.00	\$69.67
	12/01/2025	\$38.92	\$15.30	\$16.40	\$0.00	\$70.62
	06/01/2026	\$39.78	\$15.30	\$16.40	\$0.00	\$71.48
	12/01/2026	\$40.73	\$15.30	\$16.40	\$0.00	\$72.43

For apprentice rates see "Apprentice- OPERATING ENGINEERS"

GLAZIER (GLASS PLANK/AIR BARRIER/INTERIOR SYSTEMS) <i>GLAZIERS LOCAL 35 (ZONE 2)</i>	07/01/2024	\$46.76	\$9.95	\$23.95	\$0.00	\$80.66
	01/01/2025	\$47.96	\$9.95	\$23.95	\$0.00	\$81.86

Apprentice - GLAZIER - Local 35 Zone 2

Effective Date - 07/01/2024

Step	percent	Apprentice Base Wage	Health	Pension	Supplemental Unemployment	Total Rate
1	50	\$23.38	\$9.95	\$0.00	\$0.00	\$33.33
2	55	\$25.72	\$9.95	\$6.66	\$0.00	\$42.33
3	60	\$28.06	\$9.95	\$7.26	\$0.00	\$45.27
4	65	\$30.39	\$9.95	\$7.87	\$0.00	\$48.21
5	70	\$32.73	\$9.95	\$20.32	\$0.00	\$63.00
6	75	\$35.07	\$9.95	\$20.93	\$0.00	\$65.95
7	80	\$37.41	\$9.95	\$21.53	\$0.00	\$68.89
8	90	\$42.08	\$9.95	\$22.74	\$0.00	\$74.77

Effective Date - 01/01/2025

Step	percent	Apprentice Base Wage	Health	Pension	Supplemental Unemployment	Total Rate
1	50	\$23.98	\$9.95	\$0.00	\$0.00	\$33.93
2	55	\$26.38	\$9.95	\$6.66	\$0.00	\$42.99
3	60	\$28.78	\$9.95	\$7.26	\$0.00	\$45.99
4	65	\$31.17	\$9.95	\$7.87	\$0.00	\$48.99
5	70	\$33.57	\$9.95	\$20.32	\$0.00	\$63.84
6	75	\$35.97	\$9.95	\$20.93	\$0.00	\$66.85
7	80	\$38.37	\$9.95	\$21.53	\$0.00	\$69.85
8	90	\$43.16	\$9.95	\$22.74	\$0.00	\$75.85

Notes:

Steps are 750 hrs.

Apprentice to Journeyworker Ratio:1:1

HOISTING ENGINEER/CRANES/GRADALLS <i>OPERATING ENGINEERS LOCAL 4</i>	06/01/2024	\$56.03	\$15.30	\$16.40	\$0.00	\$87.73
	12/01/2024	\$57.48	\$15.30	\$16.40	\$0.00	\$89.18
	06/01/2025	\$58.78	\$15.30	\$16.40	\$0.00	\$90.48
	12/01/2025	\$60.23	\$15.30	\$16.40	\$0.00	\$91.93
	06/01/2026	\$61.53	\$15.30	\$16.40	\$0.00	\$93.23
	12/01/2026	\$62.98	\$15.30	\$16.40	\$0.00	\$94.68

Classification

Effective Date Base Wage Health Pension Supplemental Unemployment Total Rate

Apprentice - OPERATING ENGINEERS - Local 4

Effective Date - 06/01/2024

Step	percent	Apprentice Base Wage	Health	Pension	Supplemental Unemployment	Total Rate
1	55	\$30.82	\$15.30	\$0.00	\$0.00	\$46.12
2	60	\$33.62	\$15.30	\$16.40	\$0.00	\$65.32
3	65	\$36.42	\$15.30	\$16.40	\$0.00	\$68.12
4	70	\$39.22	\$15.30	\$16.40	\$0.00	\$70.92
5	75	\$42.02	\$15.30	\$16.40	\$0.00	\$73.72
6	80	\$44.82	\$15.30	\$16.40	\$0.00	\$76.52
7	85	\$47.63	\$15.30	\$16.40	\$0.00	\$79.33
8	90	\$50.43	\$15.30	\$16.40	\$0.00	\$82.13

Effective Date - 12/01/2024

Step	percent	Apprentice Base Wage	Health	Pension	Supplemental Unemployment	Total Rate
1	55	\$31.61	\$0.00	\$0.00	\$0.00	\$31.61
2	60	\$34.49	\$15.30	\$16.40	\$0.00	\$66.19
3	65	\$37.36	\$15.30	\$16.40	\$0.00	\$69.06
4	70	\$40.24	\$15.30	\$16.40	\$0.00	\$71.94
5	75	\$43.11	\$15.30	\$16.40	\$0.00	\$74.81
6	80	\$45.98	\$15.30	\$16.40	\$0.00	\$77.68
7	85	\$48.86	\$15.30	\$16.40	\$0.00	\$80.56
8	90	\$51.73	\$15.30	\$16.40	\$0.00	\$83.43

Notes:

Apprentice to Journeyworker Ratio:1:6

HVAC (DUCTWORK) SHEETMETAL WORKERS LOCAL 17 - A	08/01/2024	\$58.97	\$14.59	\$27.50	\$2.98	\$104.04
	02/01/2025	\$60.72	\$14.59	\$27.50	\$2.98	\$105.79
	08/01/2025	\$62.57	\$14.59	\$27.50	\$2.98	\$107.64
	02/01/2026	\$64.52	\$14.59	\$27.50	\$2.98	\$109.59

For apprentice rates see "Apprentice- SHEET METAL WORKER"

HVAC (ELECTRICAL CONTROLS) ELECTRICIANS LOCAL 103	03/01/2024	\$61.86	\$13.00	\$22.21	\$0.00	\$97.07
	09/01/2024	\$63.78	\$13.00	\$22.26	\$0.00	\$99.04
	03/01/2025	\$64.98	\$13.00	\$22.30	\$0.00	\$100.28
	09/01/2025	\$66.89	\$13.00	\$22.36	\$0.00	\$102.25
	03/01/2026	\$68.09	\$13.00	\$22.39	\$0.00	\$103.48
	09/01/2026	\$70.00	\$13.00	\$22.45	\$0.00	\$105.45
	03/01/2027	\$71.19	\$13.00	\$22.49	\$0.00	\$106.68
	09/01/2027	\$73.11	\$13.00	\$22.54	\$0.00	\$108.65
	03/01/2028	\$74.31	\$13.00	\$22.58	\$0.00	\$109.89

For apprentice rates see "Apprentice- ELECTRICIAN"

Classification	Effective Date	Base Wage	Health	Pension	Supplemental Unemployment	Total Rate
HVAC (TESTING AND BALANCING - AIR) <i>SHEETMETAL WORKERS LOCAL 17 - A</i>	08/01/2024	\$58.97	\$14.59	\$27.50	\$2.98	\$104.04
	02/01/2025	\$60.72	\$14.59	\$27.50	\$2.98	\$105.79
	08/01/2025	\$62.57	\$14.59	\$27.50	\$2.98	\$107.64
	02/01/2026	\$64.52	\$14.59	\$27.50	\$2.98	\$109.59
For apprentice rates see "Apprentice- SHEET METAL WORKER"						
HVAC (TESTING AND BALANCING -WATER) <i>PIPEFITTERS LOCAL 537</i>	03/01/2024	\$65.28	\$12.70	\$21.80	\$0.00	\$99.78
	09/01/2024	\$67.08	\$12.70	\$21.80	\$0.00	\$101.58
	03/01/2025	\$68.88	\$12.70	\$21.80	\$0.00	\$103.38
For apprentice rates see "Apprentice- PIPEFITTER" or "PLUMBER/PIPEFITTER"						
HVAC MECHANIC <i>PIPEFITTERS LOCAL 537</i>	03/01/2024	\$65.28	\$12.70	\$21.80	\$0.00	\$99.78
	09/01/2024	\$67.08	\$12.70	\$21.80	\$0.00	\$101.58
	03/01/2025	\$68.88	\$12.70	\$21.80	\$0.00	\$103.38
For apprentice rates see "Apprentice- PIPEFITTER" or "PLUMBER/PIPEFITTER"						
HYDRAULIC DRILLS <i>LABORERS - ZONE 1</i>	12/01/2023	\$45.08	\$9.65	\$18.07	\$0.00	\$72.80
For apprentice rates see "Apprentice- LABORER"						
HYDRAULIC DRILLS (HEAVY & HIGHWAY) <i>LABORERS - ZONE 1 (HEAVY & HIGHWAY)</i>	06/01/2024	\$46.23	\$9.65	\$18.40	\$0.00	\$74.28
	12/01/2024	\$47.70	\$9.65	\$18.40	\$0.00	\$75.75
	06/01/2025	\$49.20	\$9.65	\$18.40	\$0.00	\$77.25
	12/01/2025	\$50.70	\$9.65	\$18.40	\$0.00	\$78.75
	06/01/2026	\$52.25	\$9.65	\$18.40	\$0.00	\$80.30
	12/01/2026	\$53.75	\$9.65	\$18.40	\$0.00	\$81.80
For apprentice rates see "Apprentice- LABORER (Heavy and Highway)"						
INSULATOR (PIPES & TANKS) <i>HEAT & FROST INSULATORS LOCAL 6 (BOSTON)</i>	09/01/2023	\$53.50	\$14.75	\$19.61	\$0.00	\$87.86
	09/01/2024	\$56.92	\$14.75	\$19.61	\$0.00	\$91.28
	09/01/2025	\$60.34	\$14.75	\$19.61	\$0.00	\$94.70
	09/01/2026	\$63.76	\$14.75	\$19.61	\$0.00	\$98.12

Apprentice - ASBESTOS INSULATOR (Pipes & Tanks) - Local 6 Boston

Effective Date - 09/01/2023

Step	percent	Apprentice Base Wage	Health	Pension	Supplemental Unemployment	Total Rate
1	50	\$26.75	\$14.75	\$14.32	\$0.00	\$55.82
2	60	\$32.10	\$14.75	\$15.37	\$0.00	\$62.22
3	70	\$37.45	\$14.75	\$16.43	\$0.00	\$68.63
4	80	\$42.80	\$14.75	\$17.49	\$0.00	\$75.04

Effective Date - 09/01/2024

Step	percent	Apprentice Base Wage	Health	Pension	Supplemental Unemployment	Total Rate
1	50	\$28.46	\$14.75	\$14.32	\$0.00	\$57.53
2	60	\$34.15	\$14.75	\$15.37	\$0.00	\$64.27
3	70	\$39.84	\$14.75	\$16.43	\$0.00	\$71.02
4	80	\$45.54	\$14.75	\$17.49	\$0.00	\$77.78

Notes:

Steps are 1 year

Apprentice to Journeyworker Ratio:1:4

Classification	Effective Date	Base Wage	Health	Pension	Supplemental Unemployment	Total Rate
IRONWORKER/WELDER <i>IRONWORKERS LOCAL 7 (BOSTON AREA)</i>	03/16/2024	\$53.97	\$8.35	\$26.70	\$0.00	\$89.02

Apprentice - IRONWORKER - Local 7 Boston

Effective Date - 03/16/2024

Step	percent	Apprentice Base Wage	Health	Pension	Supplemental Unemployment	Total Rate
1	60	\$32.38	\$8.35	\$26.70	\$0.00	\$67.43
2	70	\$37.78	\$8.35	\$26.70	\$0.00	\$72.83
3	75	\$40.48	\$8.35	\$26.70	\$0.00	\$75.53
4	80	\$43.18	\$8.35	\$26.70	\$0.00	\$78.23
5	85	\$45.87	\$8.35	\$26.70	\$0.00	\$80.92
6	90	\$48.57	\$8.35	\$26.70	\$0.00	\$83.62

Notes:

Apprentice to Journeyworker Ratio:1:4

JACKHAMMER & PAVING BREAKER OPERATOR <i>LABORERS - ZONE 1</i>	12/01/2023	\$44.58	\$9.65	\$18.07	\$0.00	\$72.30
--	------------	---------	--------	---------	--------	---------

For apprentice rates see "Apprentice- LABORER"

LABORER <i>LABORERS - ZONE 1</i>	12/01/2023	\$44.33	\$9.65	\$18.07	\$0.00	\$72.05
-------------------------------------	------------	---------	--------	---------	--------	---------

Apprentice - LABORER - Zone 1

Effective Date - 12/01/2023

Step	percent	Apprentice Base Wage	Health	Pension	Supplemental Unemployment	Total Rate
1	60	\$26.60	\$9.65	\$18.07	\$0.00	\$54.32
2	70	\$31.03	\$9.65	\$18.07	\$0.00	\$58.75
3	80	\$35.46	\$9.65	\$18.07	\$0.00	\$63.18
4	90	\$39.90	\$9.65	\$18.07	\$0.00	\$67.62

Notes:

Apprentice to Journeyworker Ratio:1:5

LABORER (HEAVY & HIGHWAY) <i>LABORERS - ZONE 1 (HEAVY & HIGHWAY)</i>	06/01/2024	\$45.48	\$9.65	\$18.40	\$0.00	\$73.53
	12/01/2024	\$46.95	\$9.65	\$18.40	\$0.00	\$75.00
	06/01/2025	\$48.45	\$9.65	\$18.40	\$0.00	\$76.50
	12/01/2025	\$49.95	\$9.65	\$18.40	\$0.00	\$78.00
	06/01/2026	\$51.50	\$9.65	\$18.40	\$0.00	\$79.55
	12/01/2026	\$53.00	\$9.65	\$18.40	\$0.00	\$81.05

Apprentice - LABORER (Heavy & Highway) - Zone 1

Effective Date - 06/01/2024

Step	percent	Apprentice Base Wage	Health	Pension	Supplemental Unemployment	Total Rate
1	60	\$27.29	\$9.65	\$18.40	\$0.00	\$55.34
2	70	\$31.84	\$9.65	\$18.40	\$0.00	\$59.89
3	80	\$36.38	\$9.65	\$18.40	\$0.00	\$64.43
4	90	\$40.93	\$9.65	\$18.40	\$0.00	\$68.98

Effective Date - 12/01/2024

Step	percent	Apprentice Base Wage	Health	Pension	Supplemental Unemployment	Total Rate
1	60	\$28.17	\$9.65	\$18.40	\$0.00	\$56.22
2	70	\$32.87	\$9.65	\$18.40	\$0.00	\$60.92
3	80	\$37.56	\$9.65	\$18.40	\$0.00	\$65.61
4	90	\$42.26	\$9.65	\$18.40	\$0.00	\$70.31

Notes:

Apprentice to Journeyworker Ratio:1:5

LABORER: CARPENTER TENDER <i>LABORERS - ZONE 1</i>	12/01/2023	\$44.33	\$9.65	\$18.07	\$0.00	\$72.05
For apprentice rates see "Apprentice- LABORER"						
LABORER: CEMENT FINISHER TENDER <i>LABORERS - ZONE 1</i>	12/01/2023	\$44.33	\$9.65	\$18.07	\$0.00	\$72.05
For apprentice rates see "Apprentice- LABORER"						
LABORER: HAZARDOUS WASTE/ASBESTOS REMOVER <i>LABORERS - ZONE 1</i>	12/01/2023	\$44.48	\$9.65	\$18.07	\$0.00	\$72.20
For apprentice rates see "Apprentice- LABORER"						
LABORER: MASON TENDER <i>LABORERS - ZONE 1</i>	06/01/2024	\$44.58	\$9.65	\$18.07	\$0.00	\$72.30
For apprentice rates see "Apprentice- LABORER"						
LABORER: MASON TENDER (HEAVY & HIGHWAY) <i>LABORERS - ZONE 1 (HEAVY & HIGHWAY)</i>	06/01/2024	\$45.73	\$9.65	\$18.40	\$0.00	\$73.78
	12/01/2024	\$47.20	\$9.65	\$18.40	\$0.00	\$75.25
	06/01/2025	\$48.70	\$9.65	\$18.40	\$0.00	\$76.75
	12/01/2025	\$50.20	\$9.65	\$18.40	\$0.00	\$78.25
	06/01/2026	\$51.75	\$9.65	\$18.40	\$0.00	\$79.80
	12/01/2026	\$53.25	\$9.65	\$18.40	\$0.00	\$81.30
For apprentice rates see "Apprentice- LABORER (Heavy and Highway)"						
LABORER: MULTI-TRADE TENDER <i>LABORERS - ZONE 1</i>	12/01/2023	\$44.33	\$9.65	\$18.07	\$0.00	\$72.05
For apprentice rates see "Apprentice- LABORER"						
LABORER: TREE REMOVER <i>LABORERS - ZONE 1</i>	12/01/2023	\$44.33	\$9.65	\$18.07	\$0.00	\$72.05
This classification applies to the removal of standing trees, and the trimming and removal of branches and limbs when related to public works construction or site clearance incidental to construction . For apprentice rates see "Apprentice- LABORER"						
LASER BEAM OPERATOR <i>LABORERS - ZONE 1</i>	12/01/2023	\$44.58	\$9.65	\$18.07	\$0.00	\$72.30
For apprentice rates see "Apprentice- LABORER"						

Classification	Effective Date	Base Wage	Health	Pension	Supplemental Unemployment	Total Rate
LASER BEAM OPERATOR (HEAVY & HIGHWAY) <i>LABORERS - ZONE 1 (HEAVY & HIGHWAY)</i>	06/01/2024	\$45.73	\$9.65	\$18.40	\$0.00	\$73.78
	12/01/2024	\$47.20	\$9.65	\$18.40	\$0.00	\$75.25
	06/01/2025	\$48.70	\$9.65	\$18.40	\$0.00	\$76.75
	12/01/2025	\$50.20	\$9.65	\$18.40	\$0.00	\$78.25
	06/01/2026	\$51.75	\$9.65	\$18.40	\$0.00	\$79.80
	12/01/2026	\$53.25	\$9.65	\$18.40	\$0.00	\$81.30

For apprentice rates see "Apprentice- LABORER (Heavy and Highway)

MARBLE & TILE FINISHERS <i>BRICKLAYERS LOCAL 3 - MARBLE & TILE</i>	08/01/2024	\$49.32	\$11.49	\$21.62	\$0.00	\$82.43
	02/01/2025	\$50.36	\$11.49	\$21.62	\$0.00	\$83.47
	08/01/2025	\$52.08	\$11.49	\$21.62	\$0.00	\$85.19
	02/01/2026	\$53.16	\$11.49	\$21.62	\$0.00	\$86.27
	08/01/2026	\$54.92	\$11.49	\$21.62	\$0.00	\$88.03
	02/01/2027	\$56.04	\$11.49	\$21.62	\$0.00	\$89.15

Apprentice - MARBLE & TILE FINISHER - Local 3 Marble & Tile

Effective Date - 08/01/2024

Step	percent	Apprentice Base Wage	Health	Pension	Supplemental Unemployment	Total Rate
1	50	\$24.66	\$11.49	\$21.62	\$0.00	\$57.77
2	60	\$29.59	\$11.49	\$21.62	\$0.00	\$62.70
3	70	\$34.52	\$11.49	\$21.62	\$0.00	\$67.63
4	80	\$39.46	\$11.49	\$21.62	\$0.00	\$72.57
5	90	\$44.39	\$11.49	\$21.62	\$0.00	\$77.50

Notes:

Apprentice to Journeyworker Ratio:1:3

MARBLE MASONS, TILELAYERS & TERRAZZO MECH <i>BRICKLAYERS LOCAL 3 - MARBLE & TILE</i>	08/01/2024	\$64.52	\$11.49	\$23.56	\$0.00	\$99.57
	02/01/2025	\$65.82	\$11.49	\$23.56	\$0.00	\$100.87
	08/01/2025	\$67.97	\$11.49	\$23.56	\$0.00	\$103.02
	02/01/2026	\$69.32	\$11.49	\$23.56	\$0.00	\$104.37
	08/01/2026	\$71.52	\$11.49	\$23.56	\$0.00	\$106.57
	02/01/2027	\$72.92	\$11.49	\$23.56	\$0.00	\$107.97

Classification

Effective Date Base Wage Health Pension Supplemental Unemployment Total Rate

Apprentice - MARBLE-TILE-TERRAZZO MECHANIC - Local 3 Marble & Tile

Effective Date - 08/01/2024

Step	percent	Apprentice Base Wage	Health	Pension	Supplemental Unemployment	Total Rate
1	50	\$32.26	\$11.49	\$23.56	\$0.00	\$67.31
2	60	\$38.71	\$11.49	\$23.56	\$0.00	\$73.76
3	70	\$45.16	\$11.49	\$23.56	\$0.00	\$80.21
4	80	\$51.62	\$11.49	\$23.56	\$0.00	\$86.67
5	90	\$58.07	\$11.49	\$23.56	\$0.00	\$93.12

Notes:

Apprentice to Journeyworker Ratio:1:5

MECH. SWEEPER OPERATOR (ON CONST. SITES) <i>OPERATING ENGINEERS LOCAL 4</i>	06/01/2024	\$55.41	\$15.30	\$16.40	\$0.00	\$87.11
	12/01/2024	\$56.85	\$15.30	\$16.40	\$0.00	\$88.55
	06/01/2025	\$58.13	\$15.30	\$16.40	\$0.00	\$89.83
	12/01/2025	\$59.57	\$15.30	\$16.40	\$0.00	\$91.27
	06/01/2026	\$60.85	\$15.30	\$16.40	\$0.00	\$92.55
	12/01/2026	\$62.29	\$15.30	\$16.40	\$0.00	\$93.99

For apprentice rates see "Apprentice- OPERATING ENGINEERS"

MECHANICS MAINTENANCE <i>OPERATING ENGINEERS LOCAL 4</i>	06/01/2024	\$55.41	\$15.30	\$16.40	\$0.00	\$87.11
	12/01/2024	\$56.85	\$15.30	\$16.40	\$0.00	\$88.55
	06/01/2025	\$58.13	\$15.30	\$16.40	\$0.00	\$89.83
	12/01/2025	\$59.57	\$15.30	\$16.40	\$0.00	\$91.27
	06/01/2026	\$60.85	\$15.30	\$16.40	\$0.00	\$92.55
	12/01/2026	\$62.29	\$15.30	\$16.40	\$0.00	\$93.99

For apprentice rates see "Apprentice- OPERATING ENGINEERS"

MILLWRIGHT (Zone 1) <i>MILLWRIGHTS LOCAL 1121 - Zone 1</i>	01/01/2024	\$48.03	\$10.08	\$21.72	\$0.00	\$79.83
	01/06/2025	\$50.53	\$10.08	\$21.72	\$0.00	\$82.33
	01/05/2026	\$53.03	\$10.08	\$21.72	\$0.00	\$84.83

Apprentice - MILLWRIGHT - Local 1121 Zone 1

Effective Date - 01/01/2024

Step	percent	Apprentice Base Wage	Health	Pension	Supplemental Unemployment	Total Rate
1	55	\$26.42	\$10.08	\$5.64	\$0.00	\$42.14
2	65	\$31.22	\$10.08	\$6.66	\$0.00	\$47.96
3	75	\$36.02	\$10.08	\$19.16	\$0.00	\$65.26
4	85	\$40.83	\$10.08	\$20.18	\$0.00	\$71.09

Effective Date - 01/06/2025

Step	percent	Apprentice Base Wage	Health	Pension	Supplemental Unemployment	Total Rate
1	55	\$27.79	\$10.08	\$5.64	\$0.00	\$43.51
2	65	\$32.84	\$10.08	\$6.66	\$0.00	\$49.58
3	75	\$37.90	\$10.08	\$19.16	\$0.00	\$67.14
4	85	\$42.95	\$10.08	\$20.18	\$0.00	\$73.21

Notes: Step 1&2 Appr. indentured after 1/6/2020 receive no pension, but do receive annuity. (Step 1 \$5.72, Step 2 \$6.66)
Steps are 2,000 hours

Apprentice to Journeyworker Ratio:1:4

MORTAR MIXER <i>LABORERS - ZONE 1</i>	12/01/2023	\$44.58	\$9.65	\$18.07	\$0.00	\$72.30
---	------------	---------	--------	---------	--------	---------

For apprentice rates see "Apprentice- LABORER"

OILER (OTHER THAN TRUCK CRANES,GRADALLS) <i>OPERATING ENGINEERS LOCAL 4</i>	06/01/2024	\$24.71	\$15.30	\$16.40	\$0.00	\$56.41
	12/01/2024	\$25.37	\$15.30	\$16.40	\$0.00	\$57.07
	06/01/2025	\$25.97	\$15.30	\$16.40	\$0.00	\$57.67
	12/01/2025	\$26.63	\$15.30	\$16.40	\$0.00	\$58.33
	06/01/2026	\$27.22	\$15.30	\$16.40	\$0.00	\$58.92
	12/01/2026	\$27.89	\$15.30	\$16.40	\$0.00	\$59.59

For apprentice rates see "Apprentice- OPERATING ENGINEERS"

OILER (TRUCK CRANES, GRADALLS) <i>OPERATING ENGINEERS LOCAL 4</i>	06/01/2024	\$30.28	\$15.30	\$16.40	\$0.00	\$61.98
	12/01/2024	\$31.08	\$15.30	\$16.40	\$0.00	\$62.78
	06/01/2025	\$31.80	\$15.30	\$16.40	\$0.00	\$63.50
	12/01/2025	\$32.60	\$15.30	\$16.40	\$0.00	\$64.30
	06/01/2026	\$33.32	\$15.30	\$16.40	\$0.00	\$65.02
	12/01/2026	\$34.12	\$15.30	\$16.40	\$0.00	\$65.82

For apprentice rates see "Apprentice- OPERATING ENGINEERS"

OTHER POWER DRIVEN EQUIPMENT - CLASS II <i>OPERATING ENGINEERS LOCAL 4</i>	06/01/2024	\$55.41	\$15.30	\$16.40	\$0.00	\$87.11
	12/01/2024	\$56.85	\$15.30	\$16.40	\$0.00	\$88.55
	06/01/2025	\$58.13	\$15.30	\$16.40	\$0.00	\$89.83
	12/01/2025	\$59.57	\$15.30	\$16.40	\$0.00	\$91.27
	06/01/2026	\$60.85	\$15.30	\$16.40	\$0.00	\$92.55
	12/01/2026	\$62.29	\$15.30	\$16.40	\$0.00	\$93.99

For apprentice rates see "Apprentice- OPERATING ENGINEERS"

PAINTER (BRIDGES/TANKS) <i>PAINTERS LOCAL 35 - ZONE 2</i>	07/01/2024	\$57.26	\$9.95	\$23.95	\$0.00	\$91.16
	01/01/2025	\$58.46	\$9.95	\$23.95	\$0.00	\$92.36

Classification

Effective Date Base Wage Health Pension Supplemental Unemployment Total Rate

Apprentice - PAINTER Local 35 - BRIDGES/TANKS

Effective Date - 07/01/2024

Step	percent	Apprentice Base Wage	Health	Pension	Supplemental Unemployment	Total Rate
1	50	\$28.63	\$9.95	\$0.00	\$0.00	\$38.58
2	55	\$31.49	\$9.95	\$6.66	\$0.00	\$48.10
3	60	\$34.36	\$9.95	\$7.26	\$0.00	\$51.57
4	65	\$37.22	\$9.95	\$7.87	\$0.00	\$55.04
5	70	\$40.08	\$9.95	\$20.32	\$0.00	\$70.35
6	75	\$42.95	\$9.95	\$20.93	\$0.00	\$73.83
7	80	\$45.81	\$9.95	\$21.53	\$0.00	\$77.29
8	90	\$51.53	\$9.95	\$22.74	\$0.00	\$84.22

Effective Date - 01/01/2025

Step	percent	Apprentice Base Wage	Health	Pension	Supplemental Unemployment	Total Rate
1	50	\$29.23	\$9.95	\$0.00	\$0.00	\$39.18
2	55	\$32.15	\$9.95	\$6.66	\$0.00	\$48.76
3	60	\$35.08	\$9.95	\$7.26	\$0.00	\$52.29
4	65	\$38.00	\$9.95	\$7.87	\$0.00	\$55.82
5	70	\$40.92	\$9.95	\$20.32	\$0.00	\$71.19
6	75	\$43.85	\$9.95	\$20.93	\$0.00	\$74.73
7	80	\$46.77	\$9.95	\$21.53	\$0.00	\$78.25
8	90	\$52.61	\$9.95	\$22.74	\$0.00	\$85.30

Notes:
Steps are 750 hrs.

Apprentice to Journeyworker Ratio:1:1

PAINTER (SPRAY OR SANDBLAST, NEW) *	07/01/2024	\$48.16	\$9.95	\$23.95	\$0.00	\$82.06
* If 30% or more of surfaces to be painted are new construction, NEW paint rate shall be used. PAINTERS LOCAL 35 - ZONE 2	01/01/2025	\$49.36	\$9.95	\$23.95	\$0.00	\$83.26

Classification

Effective Date Base Wage Health Pension Supplemental Unemployment Total Rate

Apprentice - PAINTER Local 35 Zone 2 - Spray/Sandblast - New

Effective Date - 07/01/2024

Step	percent	Apprentice Base Wage	Health	Pension	Supplemental Unemployment	Total Rate
1	50	\$24.08	\$9.95	\$0.00	\$0.00	\$34.03
2	55	\$26.49	\$9.95	\$6.66	\$0.00	\$43.10
3	60	\$28.90	\$9.95	\$7.26	\$0.00	\$46.11
4	65	\$31.30	\$9.95	\$7.87	\$0.00	\$49.12
5	70	\$33.71	\$9.95	\$20.32	\$0.00	\$63.98
6	75	\$36.12	\$9.95	\$20.93	\$0.00	\$67.00
7	80	\$38.53	\$9.95	\$21.53	\$0.00	\$70.01
8	90	\$43.34	\$9.95	\$22.74	\$0.00	\$76.03

Effective Date - 01/01/2025

Step	percent	Apprentice Base Wage	Health	Pension	Supplemental Unemployment	Total Rate
1	50	\$24.68	\$9.95	\$0.00	\$0.00	\$34.63
2	55	\$27.15	\$9.95	\$6.66	\$0.00	\$43.76
3	60	\$29.62	\$9.95	\$7.26	\$0.00	\$46.83
4	65	\$32.08	\$9.95	\$7.87	\$0.00	\$49.90
5	70	\$34.55	\$9.95	\$20.32	\$0.00	\$64.82
6	75	\$37.02	\$9.95	\$20.93	\$0.00	\$67.90
7	80	\$39.49	\$9.95	\$21.53	\$0.00	\$70.97
8	90	\$44.42	\$9.95	\$22.74	\$0.00	\$77.11

Notes:
Steps are 750 hrs.

Apprentice to Journeyworker Ratio:1:1

PAINTER (SPRAY OR SANDBLAST, REPAINT)	07/01/2024	\$46.22	\$9.95	\$23.95	\$0.00	\$80.12
PAINTERS LOCAL 35 - ZONE 2	01/01/2025	\$47.42	\$9.95	\$23.95	\$0.00	\$81.32

Classification

Effective Date Base Wage Health Pension Supplemental Unemployment Total Rate

Apprentice - PAINTER Local 35 Zone 2 - Spray/Sandblast - Repaint

Effective Date - 07/01/2024

Step	percent	Apprentice Base Wage	Health	Pension	Supplemental Unemployment	Total Rate
1	50	\$23.11	\$9.95	\$0.00	\$0.00	\$33.06
2	55	\$25.42	\$9.95	\$6.66	\$0.00	\$42.03
3	60	\$27.73	\$9.95	\$7.26	\$0.00	\$44.94
4	65	\$30.04	\$9.95	\$7.87	\$0.00	\$47.86
5	70	\$32.35	\$9.95	\$20.32	\$0.00	\$62.62
6	75	\$34.67	\$9.95	\$20.93	\$0.00	\$65.55
7	80	\$36.98	\$9.95	\$21.53	\$0.00	\$68.46
8	90	\$41.60	\$9.95	\$22.74	\$0.00	\$74.29

Effective Date - 01/01/2025

Step	percent	Apprentice Base Wage	Health	Pension	Supplemental Unemployment	Total Rate
1	50	\$23.71	\$9.95	\$0.00	\$0.00	\$33.66
2	55	\$26.08	\$9.95	\$6.66	\$0.00	\$42.69
3	60	\$28.45	\$9.95	\$7.26	\$0.00	\$45.66
4	65	\$30.82	\$9.95	\$7.87	\$0.00	\$48.64
5	70	\$33.19	\$9.95	\$20.32	\$0.00	\$63.46
6	75	\$35.57	\$9.95	\$20.93	\$0.00	\$66.45
7	80	\$37.94	\$9.95	\$21.53	\$0.00	\$69.42
8	90	\$42.68	\$9.95	\$22.74	\$0.00	\$75.37

Notes:

Steps are 750 hrs.

Apprentice to Journeyworker Ratio:1:1

PAINTER / TAPER (BRUSH, NEW) *	07/01/2024	\$46.76	\$9.95	\$23.95	\$0.00	\$80.66
* If 30% or more of surfaces to be painted are new construction, NEW paint rate shall be used. <i>PAINTERS LOCAL 35 - ZONE 2</i>	01/01/2025	\$47.96	\$9.95	\$23.95	\$0.00	\$81.86

Classification

Effective Date Base Wage Health Pension Supplemental Unemployment Total Rate

Apprentice - PAINTER - Local 35 Zone 2 - BRUSH NEW

Effective Date - 07/01/2024

Step	percent	Apprentice Base Wage	Health	Pension	Supplemental Unemployment	Total Rate
1	50	\$23.38	\$9.95	\$0.00	\$0.00	\$33.33
2	55	\$25.72	\$9.95	\$6.66	\$0.00	\$42.33
3	60	\$28.06	\$9.95	\$7.26	\$0.00	\$45.27
4	65	\$30.39	\$9.95	\$7.87	\$0.00	\$48.21
5	70	\$32.73	\$9.95	\$20.32	\$0.00	\$63.00
6	75	\$35.07	\$9.95	\$20.93	\$0.00	\$65.95
7	80	\$37.41	\$9.95	\$21.53	\$0.00	\$68.89
8	90	\$42.08	\$9.95	\$22.74	\$0.00	\$74.77

Effective Date - 01/01/2025

Step	percent	Apprentice Base Wage	Health	Pension	Supplemental Unemployment	Total Rate
1	50	\$23.98	\$9.95	\$0.00	\$0.00	\$33.93
2	55	\$26.38	\$9.95	\$6.66	\$0.00	\$42.99
3	60	\$28.78	\$9.95	\$7.26	\$0.00	\$45.99
4	65	\$31.17	\$9.95	\$7.87	\$0.00	\$48.99
5	70	\$33.57	\$9.95	\$20.32	\$0.00	\$63.84
6	75	\$35.97	\$9.95	\$20.93	\$0.00	\$66.85
7	80	\$38.37	\$9.95	\$21.53	\$0.00	\$69.85
8	90	\$43.16	\$9.95	\$22.74	\$0.00	\$75.85

Notes:

Steps are 750 hrs.

Apprentice to Journeyworker Ratio:1:1

PAINTER / TAPER (BRUSH, REPAINT)	07/01/2024	\$44.82	\$9.95	\$23.95	\$0.00	\$78.72
PAINTERS LOCAL 35 - ZONE 2	01/01/2025	\$46.02	\$9.95	\$23.95	\$0.00	\$79.92

Classification

Effective Date Base Wage Health Pension Supplemental Unemployment Total Rate

Apprentice - PAINTER Local 35 Zone 2 - BRUSH REPAINT

Effective Date - 07/01/2024

Step	percent	Apprentice Base Wage	Health	Pension	Supplemental Unemployment	Total Rate
1	50	\$22.41	\$9.95	\$0.00	\$0.00	\$32.36
2	55	\$24.65	\$9.95	\$6.66	\$0.00	\$41.26
3	60	\$26.89	\$9.95	\$7.26	\$0.00	\$44.10
4	65	\$29.13	\$9.95	\$7.87	\$0.00	\$46.95
5	70	\$31.37	\$9.95	\$20.32	\$0.00	\$61.64
6	75	\$33.62	\$9.95	\$20.93	\$0.00	\$64.50
7	80	\$35.86	\$9.95	\$21.53	\$0.00	\$67.34
8	90	\$40.34	\$9.95	\$22.74	\$0.00	\$73.03

Effective Date - 01/01/2025

Step	percent	Apprentice Base Wage	Health	Pension	Supplemental Unemployment	Total Rate
1	50	\$23.01	\$9.95	\$0.00	\$0.00	\$32.96
2	55	\$25.31	\$9.95	\$6.66	\$0.00	\$41.92
3	60	\$27.61	\$9.95	\$7.26	\$0.00	\$44.82
4	65	\$29.91	\$9.95	\$7.87	\$0.00	\$47.73
5	70	\$32.21	\$9.95	\$20.32	\$0.00	\$62.48
6	75	\$34.52	\$9.95	\$20.93	\$0.00	\$65.40
7	80	\$36.82	\$9.95	\$21.53	\$0.00	\$68.30
8	90	\$41.42	\$9.95	\$22.74	\$0.00	\$74.11

Notes:

Steps are 750 hrs.

Apprentice to Journeyworker Ratio:1:1

PAINTER TRAFFIC MARKINGS (HEAVY/HIGHWAY)	06/01/2024	\$45.48	\$9.65	\$18.40	\$0.00	\$73.53
LABORERS - ZONE 1 (HEAVY & HIGHWAY)	12/01/2024	\$46.95	\$9.65	\$18.40	\$0.00	\$75.00
	06/01/2025	\$48.45	\$9.65	\$18.40	\$0.00	\$76.50
	12/01/2025	\$49.95	\$9.65	\$18.40	\$0.00	\$78.00
	06/01/2026	\$51.50	\$9.65	\$18.40	\$0.00	\$79.55
	12/01/2026	\$53.00	\$9.65	\$18.40	\$0.00	\$81.05

For apprentice rates see "Apprentice- LABORER (Heavy and Highway)

PANEL & PICKUP TRUCKS DRIVER	08/01/2024	\$40.88	\$14.91	\$18.67	\$0.00	\$74.46
TEAMSTERS JOINT COUNCIL NO. 10 ZONE A	12/01/2024	\$40.88	\$14.91	\$20.17	\$0.00	\$75.96
	06/01/2025	\$41.88	\$14.91	\$20.17	\$0.00	\$76.96
	08/01/2025	\$41.88	\$15.41	\$20.17	\$0.00	\$77.46
	12/01/2025	\$41.88	\$15.41	\$21.78	\$0.00	\$79.07
	06/01/2026	\$42.88	\$15.41	\$21.78	\$0.00	\$80.07
	08/01/2026	\$42.88	\$15.91	\$21.78	\$0.00	\$80.57
	12/01/2026	\$42.88	\$15.91	\$23.52	\$0.00	\$82.31

PIER AND DOCK CONSTRUCTOR (UNDERPINNING AND DECK)	08/01/2020	\$49.07	\$9.40	\$23.12	\$0.00	\$81.59
---	------------	---------	--------	---------	--------	---------

PILE DRIVER LOCAL 56 (ZONE 1)

For apprentice rates see "Apprentice- PILE DRIVER"

Classification	Effective Date	Base Wage	Health	Pension	Supplemental Unemployment	Total Rate
PILE DRIVER PILE DRIVER LOCAL 56 (ZONE 1)	08/01/2020	\$49.07	\$9.40	\$23.12	\$0.00	\$81.59

Apprentice - PILE DRIVER - Local 56 Zone 1

Effective Date - 08/01/2020

Step	percent	Apprentice Base Wage	Health	Pension	Supplemental Unemployment	Total Rate
1	50	\$24.54	\$9.40	\$23.12	\$0.00	\$57.06
2	60	\$29.44	\$9.40	\$23.12	\$0.00	\$61.96
3	70	\$34.35	\$9.40	\$23.12	\$0.00	\$66.87
4	75	\$36.80	\$9.40	\$23.12	\$0.00	\$69.32
5	80	\$39.26	\$9.40	\$23.12	\$0.00	\$71.78
6	80	\$39.26	\$9.40	\$23.12	\$0.00	\$71.78
7	90	\$44.16	\$9.40	\$23.12	\$0.00	\$76.68
8	90	\$44.16	\$9.40	\$23.12	\$0.00	\$76.68

Notes:

% Indentured After 10/1/17; 45/45/55/55/70/70/80/80
Step 1&2 \$34.01/ 3&4 \$41.46/ 5&6 \$62.80/ 7&8 \$69.25

Apprentice to Journeyworker Ratio:1:5

PIPEFITTER & STEAMFITTER PIPEFITTERS LOCAL 537	03/01/2024	\$65.28	\$12.70	\$21.80	\$0.00	\$99.78
	09/01/2024	\$67.08	\$12.70	\$21.80	\$0.00	\$101.58
	03/01/2025	\$68.88	\$12.70	\$21.80	\$0.00	\$103.38

Apprentice - PIPEFITTER - Local 537

Effective Date - 03/01/2024

Step	percent	Apprentice Base Wage	Health	Pension	Supplemental Unemployment	Total Rate
1	40	\$26.11	\$12.70	\$9.05	\$0.00	\$47.86
2	45	\$29.38	\$12.70	\$21.80	\$0.00	\$63.88
3	60	\$39.17	\$12.70	\$21.80	\$0.00	\$73.67
4	70	\$45.70	\$12.70	\$21.80	\$0.00	\$80.20
5	80	\$52.22	\$12.70	\$21.80	\$0.00	\$86.72

Effective Date - 09/01/2024

Step	percent	Apprentice Base Wage	Health	Pension	Supplemental Unemployment	Total Rate
1	40	\$26.83	\$12.70	\$9.05	\$0.00	\$48.58
2	45	\$30.19	\$12.70	\$21.80	\$0.00	\$64.69
3	60	\$40.25	\$12.70	\$21.80	\$0.00	\$74.75
4	70	\$46.96	\$12.70	\$21.80	\$0.00	\$81.46
5	80	\$53.66	\$12.70	\$21.80	\$0.00	\$88.16

Notes:

** 1:3; 3:15; 1:10 thereafter / Steps are 1 yr.
Refrig/AC Mechanic **1:1;1:2;2:4;3:6;4:8;5:10;6:12;7:14;8:17;9:20;10:23(Max)

Apprentice to Journeyworker Ratio:**

PIPELAYER LABORERS - ZONE 1	12/01/2023	\$44.58	\$9.65	\$18.07	\$0.00	\$72.30
--------------------------------	------------	---------	--------	---------	--------	---------

Classification	Effective Date	Base Wage	Health	Pension	Supplemental Unemployment	Total Rate
For apprentice rates see "Apprentice- LABORER"						
PIPELAYER (HEAVY & HIGHWAY) LABORERS - ZONE 1 (HEAVY & HIGHWAY)	06/01/2024	\$45.73	\$9.65	\$18.40	\$0.00	\$73.78
	12/01/2024	\$47.20	\$9.65	\$18.40	\$0.00	\$75.25
	06/01/2025	\$48.70	\$9.65	\$18.40	\$0.00	\$76.75
	12/01/2025	\$50.20	\$9.65	\$18.40	\$0.00	\$78.25
	06/01/2026	\$51.75	\$9.65	\$18.40	\$0.00	\$79.80
	12/01/2026	\$53.25	\$9.65	\$18.40	\$0.00	\$81.30
For apprentice rates see "Apprentice- LABORER (Heavy and Highway)						
PLUMBERS & GASFITTERS PLUMBERS & GASFITTERS LOCAL 12	03/03/2024	\$67.74	\$14.32	\$19.11	\$0.00	\$101.17
	09/01/2024	\$69.54	\$14.32	\$19.11	\$0.00	\$102.97
	03/02/2025	\$71.34	\$14.32	\$19.11	\$0.00	\$104.77

Apprentice - PLUMBER/GASFITTER - Local 12

Effective Date - 03/03/2024

Step	percent	Apprentice Base Wage	Health	Pension	Supplemental Unemployment	Total Rate
1	35	\$23.71	\$14.32	\$6.88	\$0.00	\$44.91
2	40	\$27.10	\$14.32	\$7.82	\$0.00	\$49.24
3	55	\$37.26	\$14.32	\$10.65	\$0.00	\$62.23
4	65	\$44.03	\$14.32	\$12.53	\$0.00	\$70.88
5	75	\$50.81	\$14.32	\$14.41	\$0.00	\$79.54

Effective Date - 09/01/2024

Step	percent	Apprentice Base Wage	Health	Pension	Supplemental Unemployment	Total Rate
1	35	\$24.34	\$14.32	\$6.88	\$0.00	\$45.54
2	40	\$27.82	\$14.32	\$7.82	\$0.00	\$49.96
3	55	\$38.25	\$14.32	\$10.65	\$0.00	\$63.22
4	65	\$45.20	\$14.32	\$12.53	\$0.00	\$72.05
5	75	\$52.16	\$14.32	\$14.41	\$0.00	\$80.89

Notes:

** 1:2; 2:6; 3:10; 4:14; 5:19/Steps are 1 yr
Step4 with lic\$69.00, Step5 with lic\$76.87

Apprentice to Journeyworker Ratio:**

PNEUMATIC CONTROLS (TEMP.) PIPEFITTERS LOCAL 537	03/01/2024	\$65.28	\$12.70	\$21.80	\$0.00	\$99.78
	09/01/2024	\$67.08	\$12.70	\$21.80	\$0.00	\$101.58
	03/01/2025	\$68.88	\$12.70	\$21.80	\$0.00	\$103.38

For apprentice rates see "Apprentice- PIPEFITTER" or "PLUMBER/PIPEFITTER"

PNEUMATIC DRILL/TOOL OPERATOR LABORERS - ZONE 1	12/01/2023	\$44.58	\$9.65	\$18.07	\$0.00	\$72.30
--	------------	---------	--------	---------	--------	---------

For apprentice rates see "Apprentice- LABORER"

PNEUMATIC DRILL/TOOL OPERATOR (HEAVY & HIGHWAY) LABORERS - ZONE 1 (HEAVY & HIGHWAY)	06/01/2024	\$45.73	\$9.65	\$18.40	\$0.00	\$73.78
	12/01/2024	\$47.20	\$9.65	\$18.40	\$0.00	\$75.25
	06/01/2025	\$48.70	\$9.65	\$18.40	\$0.00	\$76.75
	12/01/2025	\$50.20	\$9.65	\$18.40	\$0.00	\$78.25
	06/01/2026	\$51.75	\$9.65	\$18.40	\$0.00	\$79.80
	12/01/2026	\$53.25	\$9.65	\$18.40	\$0.00	\$81.30

For apprentice rates see "Apprentice- LABORER (Heavy and Highway)

Classification	Effective Date	Base Wage	Health	Pension	Supplemental Unemployment	Total Rate
POWDERMAN & BLASTER <i>LABORERS - ZONE 1</i>	12/01/2023	\$45.33	\$9.65	\$18.07	\$0.00	\$73.05
For apprentice rates see "Apprentice- LABORER"						
POWDERMAN & BLASTER (HEAVY & HIGHWAY) <i>LABORERS - ZONE 1 (HEAVY & HIGHWAY)</i>	06/01/2024	\$46.48	\$9.65	\$18.40	\$0.00	\$74.53
	12/01/2024	\$47.95	\$9.65	\$18.40	\$0.00	\$76.00
	06/01/2025	\$49.45	\$9.65	\$18.40	\$0.00	\$77.50
	12/01/2025	\$50.95	\$9.65	\$18.40	\$0.00	\$79.00
	06/01/2026	\$52.50	\$9.65	\$18.40	\$0.00	\$80.55
	12/01/2026	\$54.00	\$9.65	\$18.40	\$0.00	\$82.05
For apprentice rates see "Apprentice- LABORER (Heavy and Highway)"						
POWER SHOVEL/DERRICK/TRENCHING MACHINE <i>OPERATING ENGINEERS LOCAL 4</i>	06/01/2024	\$56.03	\$15.30	\$16.40	\$0.00	\$87.73
	12/01/2024	\$57.48	\$15.30	\$16.40	\$0.00	\$89.18
	06/01/2025	\$58.78	\$15.30	\$16.40	\$0.00	\$90.48
	12/01/2025	\$60.23	\$15.30	\$16.40	\$0.00	\$91.93
	06/01/2026	\$61.53	\$15.30	\$16.40	\$0.00	\$93.23
	12/01/2026	\$62.98	\$15.30	\$16.40	\$0.00	\$94.68
For apprentice rates see "Apprentice- OPERATING ENGINEERS"						
PUMP OPERATOR (CONCRETE) <i>OPERATING ENGINEERS LOCAL 4</i>	06/01/2024	\$55.41	\$15.30	\$16.40	\$0.00	\$87.11
	12/01/2024	\$56.85	\$15.30	\$16.40	\$0.00	\$88.55
	06/01/2025	\$58.13	\$15.30	\$16.40	\$0.00	\$89.83
	12/01/2025	\$59.57	\$15.30	\$16.40	\$0.00	\$91.27
	06/01/2026	\$60.85	\$15.30	\$16.40	\$0.00	\$92.55
	12/01/2026	\$62.29	\$15.30	\$16.40	\$0.00	\$93.99
For apprentice rates see "Apprentice- OPERATING ENGINEERS"						
PUMP OPERATOR (DEWATERING, OTHER) <i>OPERATING ENGINEERS LOCAL 4</i>	06/01/2024	\$36.17	\$15.30	\$16.40	\$0.00	\$67.87
	12/01/2024	\$37.12	\$15.30	\$16.40	\$0.00	\$68.82
	06/01/2025	\$37.97	\$15.30	\$16.40	\$0.00	\$69.67
	12/01/2025	\$38.92	\$15.30	\$16.40	\$0.00	\$70.62
	06/01/2026	\$39.78	\$15.30	\$16.40	\$0.00	\$71.48
	12/01/2026	\$40.73	\$15.30	\$16.40	\$0.00	\$72.43
For apprentice rates see "Apprentice- OPERATING ENGINEERS"						
READY MIX CONCRETE DRIVERS after 4/30/12 <i>(Drivers Hired After 4/30/2012)TEAMSTERS 25 (Metro) - Aggregate</i>	08/01/2022	\$30.40	\$11.91	\$15.25	\$0.00	\$57.56
READY-MIX CONCRETE DRIVER <i>TEAMSTERS 25 (Metro) - Aggregate</i>	08/01/2022	\$34.41	\$11.91	\$15.25	\$0.00	\$61.57
RECLAIMERS <i>OPERATING ENGINEERS LOCAL 4</i>	06/01/2024	\$55.41	\$15.30	\$16.40	\$0.00	\$87.11
	12/01/2024	\$56.85	\$15.30	\$16.40	\$0.00	\$88.55
	06/01/2025	\$58.13	\$15.30	\$16.40	\$0.00	\$89.83
	12/01/2025	\$59.57	\$15.30	\$16.40	\$0.00	\$91.27
	06/01/2026	\$60.85	\$15.30	\$16.40	\$0.00	\$92.55
	12/01/2026	\$62.29	\$15.30	\$16.40	\$0.00	\$93.99
For apprentice rates see "Apprentice- OPERATING ENGINEERS"						
RIDE-ON MOTORIZED BUGGY OPERATOR <i>LABORERS - ZONE 1</i>	12/01/2023	\$44.58	\$9.65	\$18.07	\$0.00	\$72.30
For apprentice rates see "Apprentice- LABORER"						

Classification	Effective Date	Base Wage	Health	Pension	Supplemental Unemployment	Total Rate
ROLLER/SPREADER/MULCHING MACHINE <i>OPERATING ENGINEERS LOCAL 4</i>	06/01/2024	\$55.41	\$15.30	\$16.40	\$0.00	\$87.11
	12/01/2024	\$56.85	\$15.30	\$16.40	\$0.00	\$88.55
	06/01/2025	\$58.13	\$15.30	\$16.40	\$0.00	\$89.83
	12/01/2025	\$59.57	\$15.30	\$16.40	\$0.00	\$91.27
	06/01/2026	\$60.85	\$15.30	\$16.40	\$0.00	\$92.55
	12/01/2026	\$62.29	\$15.30	\$16.40	\$0.00	\$93.99

For apprentice rates see "Apprentice- OPERATING ENGINEERS"

ROOFER (Inc.Roofing Waterproofing &Roofing Damproofing) <i>ROOFERS LOCAL 33</i>	08/01/2024	\$51.53	\$12.78	\$21.45	\$0.00	\$85.76
	02/01/2025	\$52.78	\$12.78	\$21.45	\$0.00	\$87.01
	08/01/2025	\$54.28	\$12.78	\$21.45	\$0.00	\$88.51
	02/01/2026	\$55.53	\$12.78	\$21.45	\$0.00	\$89.76

Apprentice - ROOFER - Local 33

Effective Date - 08/01/2024

Step	percent	Apprentice Base Wage	Health	Pension	Supplemental Unemployment	Total Rate
1	50	\$25.77	\$12.78	\$6.21	\$0.00	\$44.76
2	60	\$30.92	\$12.78	\$21.45	\$0.00	\$65.15
3	65	\$33.49	\$12.78	\$21.45	\$0.00	\$67.72
4	75	\$38.65	\$12.78	\$21.45	\$0.00	\$72.88
5	85	\$43.80	\$12.78	\$21.45	\$0.00	\$78.03

Notes: ** 1:5, 2:6-10, the 1:10; Reroofing: 1:4, then 1:1
 Step 1 is 2000 hrs.; Steps 2-5 are 1000 hrs.
 (Hot Pitch Mechanics' receive \$1.00 hr. above ROOFER)

Apprentice to Journeyworker Ratio:**

ROOFER SLATE / TILE / PRECAST CONCRETE <i>ROOFERS LOCAL 33</i>	08/01/2024	\$51.78	\$12.78	\$21.45	\$0.00	\$86.01
	02/01/2025	\$53.03	\$12.78	\$21.45	\$0.00	\$87.26
	08/01/2025	\$54.53	\$12.78	\$21.45	\$0.00	\$88.76
	02/01/2026	\$55.78	\$12.78	\$21.45	\$0.00	\$90.01

For apprentice rates see "Apprentice- ROOFER"

SHEETMETAL WORKER <i>SHEETMETAL WORKERS LOCAL 17 - A</i>	08/01/2024	\$58.97	\$14.59	\$27.50	\$2.98	\$104.04
	02/01/2025	\$60.72	\$14.59	\$27.50	\$2.98	\$105.79
	08/01/2025	\$62.57	\$14.59	\$27.50	\$2.98	\$107.64
	02/01/2026	\$64.52	\$14.59	\$27.50	\$2.98	\$109.59

Classification

Effective Date Base Wage Health Pension Supplemental Unemployment Total Rate

Apprentice - SHEET METAL WORKER - Local 17-A

Effective Date - 08/01/2024

Step	percent	Apprentice Base Wage	Health	Pension	Supplemental Unemployment	Total Rate
1	42	\$24.77	\$14.59	\$6.13	\$0.00	\$45.49
2	42	\$24.77	\$14.59	\$6.13	\$0.00	\$45.49
3	47	\$27.72	\$14.59	\$12.11	\$1.63	\$56.05
4	47	\$27.72	\$14.59	\$12.11	\$1.63	\$56.05
5	52	\$30.66	\$14.59	\$13.09	\$1.75	\$60.09
6	52	\$30.66	\$14.59	\$13.34	\$1.76	\$60.35
7	60	\$35.38	\$14.59	\$14.75	\$1.94	\$66.66
8	65	\$38.33	\$14.59	\$15.73	\$2.06	\$70.71
9	75	\$44.23	\$14.59	\$17.69	\$2.30	\$78.81
10	85	\$50.12	\$14.59	\$19.15	\$2.52	\$86.38

Notes:
Steps are 6 mos.

Apprentice to Journeyworker Ratio:1:4

SPECIALIZED EARTH MOVING EQUIP < 35 TONS <i>TEAMSTERS JOINT COUNCIL NO. 10 ZONE A</i>	08/01/2024	\$41.34	\$14.91	\$18.67	\$0.00	\$74.92
	12/01/2024	\$41.34	\$14.91	\$20.17	\$0.00	\$76.42
	06/01/2025	\$42.34	\$14.91	\$20.17	\$0.00	\$77.42
	08/01/2025	\$42.34	\$15.41	\$20.17	\$0.00	\$77.92
	12/01/2025	\$42.34	\$15.41	\$21.78	\$0.00	\$79.53
	06/01/2026	\$43.34	\$15.41	\$21.78	\$0.00	\$80.53
	08/01/2026	\$43.34	\$15.91	\$21.78	\$0.00	\$81.03
	12/01/2026	\$43.34	\$15.91	\$23.52	\$0.00	\$82.77
SPECIALIZED EARTH MOVING EQUIP > 35 TONS <i>TEAMSTERS JOINT COUNCIL NO. 10 ZONE A</i>	08/01/2024	\$41.63	\$14.91	\$18.67	\$0.00	\$75.21
	12/01/2024	\$41.63	\$14.91	\$20.17	\$0.00	\$76.71
	06/01/2025	\$42.63	\$14.91	\$20.17	\$0.00	\$77.71
	08/01/2025	\$42.63	\$15.41	\$20.17	\$0.00	\$78.21
	12/01/2025	\$42.63	\$15.41	\$21.78	\$0.00	\$79.82
	06/01/2026	\$43.63	\$15.41	\$21.78	\$0.00	\$80.82
	08/01/2026	\$43.63	\$15.91	\$21.78	\$0.00	\$81.32
	12/01/2026	\$43.63	\$15.91	\$23.52	\$0.00	\$83.06
SPRINKLER FITTER <i>SPRINKLER FITTERS LOCAL 550 - (Section A) Zone 1</i>	03/01/2024	\$69.04	\$11.51	\$23.30	\$0.00	\$103.85
	10/01/2024	\$70.84	\$11.51	\$23.30	\$0.00	\$105.65
	03/01/2025	\$72.64	\$11.51	\$23.30	\$0.00	\$107.45

Classification

Effective Date Base Wage Health Pension Supplemental Unemployment Total Rate

Apprentice - SPRINKLER FITTER - Local 550 (Section A) Zone 1

Effective Date - 03/01/2024

Step	percent	Apprentice Base Wage	Health	Pension	Supplemental Unemployment	Total Rate
1	35	\$24.16	\$11.51	\$12.90	\$0.00	\$48.57
2	40	\$27.62	\$11.51	\$13.70	\$0.00	\$52.83
3	45	\$31.07	\$11.51	\$14.50	\$0.00	\$57.08
4	50	\$34.52	\$11.51	\$15.30	\$0.00	\$61.33
5	55	\$37.97	\$11.51	\$16.10	\$0.00	\$65.58
6	60	\$41.42	\$11.51	\$16.90	\$0.00	\$69.83
7	65	\$44.88	\$11.51	\$17.70	\$0.00	\$74.09
8	70	\$48.33	\$11.51	\$18.50	\$0.00	\$78.34
9	75	\$51.78	\$11.51	\$19.30	\$0.00	\$82.59
10	80	\$55.23	\$11.51	\$20.10	\$0.00	\$86.84

Effective Date - 10/01/2024

Step	percent	Apprentice Base Wage	Health	Pension	Supplemental Unemployment	Total Rate
1	35	\$24.79	\$11.51	\$12.90	\$0.00	\$49.20
2	40	\$28.34	\$11.51	\$13.70	\$0.00	\$53.55
3	45	\$31.88	\$11.51	\$14.50	\$0.00	\$57.89
4	50	\$35.42	\$11.51	\$15.30	\$0.00	\$62.23
5	55	\$38.96	\$11.51	\$16.10	\$0.00	\$66.57
6	60	\$42.50	\$11.51	\$16.90	\$0.00	\$70.91
7	65	\$46.05	\$11.51	\$17.70	\$0.00	\$75.26
8	70	\$49.59	\$11.51	\$18.50	\$0.00	\$79.60
9	75	\$53.13	\$11.51	\$19.30	\$0.00	\$83.94
10	80	\$56.67	\$11.51	\$20.10	\$0.00	\$88.28

Notes: Apprentice entered prior 9/30/10:
40/45/50/55/60/65/70/75/80/85
Steps are 850 hours

Apprentice to Journeyworker Ratio:1:3

STEAM BOILER OPERATOR <i>OPERATING ENGINEERS LOCAL 4</i>	06/01/2024	\$55.41	\$15.30	\$16.40	\$0.00	\$87.11
	12/01/2024	\$56.85	\$15.30	\$16.40	\$0.00	\$88.55
	06/01/2025	\$58.13	\$15.30	\$16.40	\$0.00	\$89.83
	12/01/2025	\$59.57	\$15.30	\$16.40	\$0.00	\$91.27
	06/01/2026	\$60.85	\$15.30	\$16.40	\$0.00	\$92.55
	12/01/2026	\$62.29	\$15.30	\$16.40	\$0.00	\$93.99

For apprentice rates see "Apprentice- OPERATING ENGINEERS"

TAMPERS, SELF-PROPELLED OR TRACTOR DRAWN <i>OPERATING ENGINEERS LOCAL 4</i>	06/01/2024	\$55.41	\$15.30	\$16.40	\$0.00	\$87.11
	12/01/2024	\$56.85	\$15.30	\$16.40	\$0.00	\$88.55
	06/01/2025	\$58.13	\$15.30	\$16.40	\$0.00	\$89.83
	12/01/2025	\$59.57	\$15.30	\$16.40	\$0.00	\$91.27
	06/01/2026	\$60.85	\$15.30	\$16.40	\$0.00	\$92.55
	12/01/2026	\$62.29	\$15.30	\$16.40	\$0.00	\$93.99

For apprentice rates see "Apprentice- OPERATING ENGINEERS"

Classification	Effective Date	Base Wage	Health	Pension	Supplemental Unemployment	Total Rate
TELECOMMUNICATION TECHNICIAN <i>ELECTRICIANS LOCAL 103</i>	03/01/2024	\$49.49	\$13.00	\$20.19	\$0.00	\$82.68
	09/01/2024	\$51.02	\$13.00	\$20.24	\$0.00	\$84.26
	03/01/2025	\$51.98	\$13.00	\$20.27	\$0.00	\$85.25
	09/01/2025	\$53.51	\$13.00	\$20.32	\$0.00	\$86.83
	03/01/2026	\$54.47	\$13.00	\$20.34	\$0.00	\$87.81
	09/01/2026	\$56.00	\$13.00	\$20.39	\$0.00	\$89.39
	03/01/2027	\$56.95	\$13.00	\$20.42	\$0.00	\$90.37
	09/01/2027	\$58.49	\$13.00	\$20.46	\$0.00	\$91.95
	03/01/2028	\$59.45	\$13.00	\$20.49	\$0.00	\$92.94

Apprentice - TELECOMMUNICATION TECHNICIAN - Local 103

Effective Date - 03/01/2024

Step	percent	Apprentice Base Wage	Health	Pension	Supplemental Unemployment	Total Rate
1	45	\$22.27	\$13.00	\$0.67	\$0.00	\$35.94
2	45	\$22.27	\$13.00	\$0.67	\$0.00	\$35.94
3	50	\$24.75	\$13.00	\$16.16	\$0.00	\$53.91
4	50	\$24.75	\$13.00	\$16.16	\$0.00	\$53.91
5	55	\$27.22	\$13.00	\$16.57	\$0.00	\$56.79
6	60	\$29.69	\$13.00	\$16.97	\$0.00	\$59.66
7	65	\$32.17	\$13.00	\$17.38	\$0.00	\$62.55
8	70	\$34.64	\$13.00	\$17.78	\$0.00	\$65.42
9	75	\$37.12	\$13.00	\$18.18	\$0.00	\$68.30
10	80	\$39.59	\$13.00	\$18.58	\$0.00	\$71.17

Effective Date - 09/01/2024

Step	percent	Apprentice Base Wage	Health	Pension	Supplemental Unemployment	Total Rate
1	45	\$22.96	\$13.00	\$0.69	\$0.00	\$36.65
2	45	\$22.96	\$13.00	\$0.69	\$0.00	\$36.65
3	50	\$25.51	\$13.00	\$16.16	\$0.00	\$54.67
4	50	\$25.51	\$13.00	\$16.16	\$0.00	\$54.67
5	55	\$28.06	\$13.00	\$16.57	\$0.00	\$57.63
6	60	\$30.61	\$13.00	\$16.97	\$0.00	\$60.58
7	65	\$33.16	\$13.00	\$17.38	\$0.00	\$63.54
8	70	\$35.71	\$13.00	\$17.78	\$0.00	\$66.49
9	75	\$38.27	\$13.00	\$18.18	\$0.00	\$69.45
10	80	\$40.82	\$13.00	\$18.58	\$0.00	\$72.40

Notes:

Apprentice to Journeyworker Ratio:1:1

Classification	Effective Date	Base Wage	Health	Pension	Supplemental Unemployment	Total Rate
TERRAZZO FINISHERS <i>BRICKLAYERS LOCAL 3 - MARBLE & TILE</i>	08/01/2024	\$63.44	\$11.49	\$23.59	\$0.00	\$98.52
	02/01/2025	\$64.74	\$11.49	\$23.59	\$0.00	\$99.82
	08/01/2025	\$66.89	\$11.49	\$23.59	\$0.00	\$101.97
	02/01/2026	\$68.24	\$11.49	\$23.59	\$0.00	\$103.32
	08/01/2026	\$70.44	\$11.49	\$23.59	\$0.00	\$105.52
	02/01/2027	\$71.84	\$11.49	\$23.59	\$0.00	\$106.92

Apprentice - TERRAZZO FINISHER - Local 3 Marble & Tile

Effective Date - 08/01/2024

Step	percent	Apprentice Base Wage	Health	Pension	Supplemental Unemployment	Total Rate
1	50	\$31.72	\$11.49	\$23.59	\$0.00	\$66.80
2	60	\$38.06	\$11.49	\$23.59	\$0.00	\$73.14
3	70	\$44.41	\$11.49	\$23.59	\$0.00	\$79.49
4	80	\$50.75	\$11.49	\$23.59	\$0.00	\$85.83
5	90	\$57.10	\$11.49	\$23.59	\$0.00	\$92.18

Notes:

Apprentice to Journeyworker Ratio:1:3

TEST BORING DRILLER <i>LABORERS - FOUNDATION AND MARINE</i>	06/01/2024	\$49.81	\$9.65	\$18.22	\$0.00	\$77.68
	12/01/2024	\$51.28	\$9.65	\$18.22	\$0.00	\$79.15
	06/01/2025	\$52.78	\$9.65	\$18.22	\$0.00	\$80.65
	12/01/2025	\$54.28	\$9.65	\$18.22	\$0.00	\$82.15
	06/01/2026	\$55.83	\$9.65	\$18.22	\$0.00	\$83.70
	12/01/2026	\$57.33	\$9.65	\$18.22	\$0.00	\$85.20

For apprentice rates see "Apprentice- LABORER"

TEST BORING DRILLER HELPER <i>LABORERS - FOUNDATION AND MARINE</i>	06/01/2024	\$45.60	\$9.65	\$18.22	\$0.00	\$73.47
	12/01/2024	\$47.07	\$9.65	\$18.22	\$0.00	\$74.94
	06/01/2025	\$48.57	\$9.65	\$18.22	\$0.00	\$76.44
	12/01/2025	\$50.07	\$9.65	\$18.22	\$0.00	\$77.94
	06/01/2026	\$51.62	\$9.65	\$18.22	\$0.00	\$79.49
	12/01/2026	\$53.12	\$9.65	\$18.22	\$0.00	\$80.99

For apprentice rates see "Apprentice- LABORER"

TEST BORING LABORER <i>LABORERS - FOUNDATION AND MARINE</i>	06/01/2024	\$45.48	\$9.65	\$18.22	\$0.00	\$73.35
	12/01/2024	\$46.95	\$9.65	\$18.22	\$0.00	\$74.82
	06/01/2025	\$48.45	\$9.65	\$18.22	\$0.00	\$76.32
	12/01/2025	\$49.95	\$9.65	\$18.22	\$0.00	\$77.82
	06/01/2026	\$51.50	\$9.65	\$18.22	\$0.00	\$79.37
	12/01/2026	\$53.00	\$9.65	\$18.22	\$0.00	\$80.87

For apprentice rates see "Apprentice- LABORER"

Classification	Effective Date	Base Wage	Health	Pension	Supplemental Unemployment	Total Rate
TRACTORS/PORTABLE STEAM GENERATORS <i>OPERATING ENGINEERS LOCAL 4</i>	06/01/2024	\$55.41	\$15.30	\$16.40	\$0.00	\$87.11
	12/01/2024	\$56.85	\$15.30	\$16.40	\$0.00	\$88.55
	06/01/2025	\$58.13	\$15.30	\$16.40	\$0.00	\$89.83
	12/01/2025	\$59.57	\$15.30	\$16.40	\$0.00	\$91.27
	06/01/2026	\$60.85	\$15.30	\$16.40	\$0.00	\$92.55
	12/01/2026	\$62.29	\$15.30	\$16.40	\$0.00	\$93.99
For apprentice rates see "Apprentice- OPERATING ENGINEERS"						
TRAILERS FOR EARTH MOVING EQUIPMENT <i>TEAMSTERS JOINT COUNCIL NO. 10 ZONE A</i>	08/01/2024	\$41.92	\$14.91	\$18.67	\$0.00	\$75.50
	12/01/2024	\$41.92	\$14.91	\$20.17	\$0.00	\$77.00
	06/01/2025	\$42.92	\$14.91	\$20.17	\$0.00	\$78.00
	08/01/2025	\$42.92	\$15.41	\$20.17	\$0.00	\$78.50
	12/01/2025	\$42.92	\$15.41	\$21.78	\$0.00	\$80.11
	06/01/2026	\$43.92	\$15.41	\$21.78	\$0.00	\$81.11
	08/01/2026	\$43.92	\$15.91	\$21.78	\$0.00	\$81.61
	12/01/2026	\$43.92	\$15.91	\$23.52	\$0.00	\$83.35
TUNNEL WORK - COMPRESSED AIR <i>LABORERS (COMPRESSED AIR)</i>	06/01/2024	\$57.71	\$9.65	\$19.00	\$0.00	\$86.36
	12/01/2024	\$59.18	\$9.65	\$19.00	\$0.00	\$87.83
	06/01/2025	\$60.68	\$9.65	\$19.00	\$0.00	\$89.33
	12/01/2025	\$62.18	\$9.65	\$19.00	\$0.00	\$90.83
	06/01/2026	\$63.73	\$9.65	\$19.00	\$0.00	\$92.38
	12/01/2026	\$65.23	\$9.65	\$19.00	\$0.00	\$93.88
For apprentice rates see "Apprentice- LABORER"						
TUNNEL WORK - COMPRESSED AIR (HAZ. WASTE) <i>LABORERS (COMPRESSED AIR)</i>	06/01/2024	\$59.71	\$9.65	\$19.00	\$0.00	\$88.36
	12/01/2024	\$61.18	\$9.65	\$19.00	\$0.00	\$89.83
	06/01/2025	\$62.68	\$9.65	\$19.00	\$0.00	\$91.33
	12/01/2025	\$64.18	\$9.65	\$19.00	\$0.00	\$92.83
	06/01/2026	\$65.73	\$9.65	\$19.00	\$0.00	\$94.38
	12/01/2026	\$67.23	\$9.65	\$19.00	\$0.00	\$95.88
For apprentice rates see "Apprentice- LABORER"						
TUNNEL WORK - FREE AIR <i>LABORERS (FREE AIR TUNNEL)</i>	06/01/2024	\$49.78	\$9.65	\$19.00	\$0.00	\$78.43
	12/01/2024	\$51.25	\$9.65	\$19.00	\$0.00	\$79.90
	06/01/2025	\$52.75	\$9.65	\$19.00	\$0.00	\$81.40
	12/01/2025	\$54.25	\$9.65	\$19.00	\$0.00	\$82.90
	06/01/2026	\$55.80	\$9.65	\$19.00	\$0.00	\$84.45
	12/01/2026	\$57.30	\$9.65	\$19.00	\$0.00	\$85.95
For apprentice rates see "Apprentice- LABORER"						
TUNNEL WORK - FREE AIR (HAZ. WASTE) <i>LABORERS (FREE AIR TUNNEL)</i>	06/01/2024	\$51.78	\$9.65	\$19.00	\$0.00	\$80.43
	12/01/2024	\$53.25	\$9.65	\$19.00	\$0.00	\$81.90
	06/01/2025	\$54.75	\$9.65	\$19.00	\$0.00	\$83.40
	12/01/2025	\$56.25	\$9.65	\$19.00	\$0.00	\$84.90
	06/01/2026	\$57.80	\$9.65	\$19.00	\$0.00	\$86.45
	12/01/2026	\$59.30	\$9.65	\$19.00	\$0.00	\$87.95
For apprentice rates see "Apprentice- LABORER"						

Classification	Effective Date	Base Wage	Health	Pension	Supplemental Unemployment	Total Rate
VAC-HAUL <i>TEAMSTERS JOINT COUNCIL NO. 10 ZONE A</i>	08/01/2024	\$41.34	\$14.91	\$18.67	\$0.00	\$74.92
	12/01/2024	\$41.34	\$14.91	\$20.17	\$0.00	\$76.42
	06/01/2025	\$42.34	\$14.91	\$20.17	\$0.00	\$77.42
	08/01/2025	\$42.34	\$15.41	\$20.17	\$0.00	\$77.92
	12/01/2025	\$42.34	\$15.41	\$21.78	\$0.00	\$79.53
	06/01/2026	\$43.34	\$15.41	\$21.78	\$0.00	\$80.53
	08/01/2026	\$43.34	\$15.91	\$21.78	\$0.00	\$81.03
	12/01/2026	\$43.34	\$15.91	\$23.52	\$0.00	\$82.77
WAGON DRILL OPERATOR <i>LABORERS - ZONE 1</i>	12/01/2023	\$44.58	\$9.65	\$18.07	\$0.00	\$72.30
For apprentice rates see "Apprentice- LABORER"						
WAGON DRILL OPERATOR (HEAVY & HIGHWAY) <i>LABORERS - ZONE 1 (HEAVY & HIGHWAY)</i>	06/01/2024	\$45.73	\$9.65	\$18.40	\$0.00	\$73.78
	12/01/2024	\$47.20	\$9.65	\$18.40	\$0.00	\$75.25
	06/01/2025	\$48.70	\$9.65	\$18.40	\$0.00	\$76.75
	12/01/2025	\$50.20	\$9.65	\$18.40	\$0.00	\$78.25
	06/01/2026	\$51.75	\$9.65	\$18.40	\$0.00	\$79.80
	12/01/2026	\$53.25	\$9.65	\$18.40	\$0.00	\$81.30
For apprentice rates see "Apprentice- LABORER (Heavy and Highway)"						
WASTE WATER PUMP OPERATOR <i>OPERATING ENGINEERS LOCAL 4</i>	06/01/2024	\$56.03	\$15.30	\$16.40	\$0.00	\$87.73
	12/01/2024	\$57.48	\$15.30	\$16.40	\$0.00	\$89.18
	06/01/2025	\$58.78	\$15.30	\$16.40	\$0.00	\$90.48
	12/01/2025	\$60.23	\$15.30	\$16.40	\$0.00	\$91.93
	06/01/2026	\$61.53	\$15.30	\$16.40	\$0.00	\$93.23
	12/01/2026	\$62.98	\$15.30	\$16.40	\$0.00	\$94.68
For apprentice rates see "Apprentice- OPERATING ENGINEERS"						
WATER METER INSTALLER <i>PLUMBERS & GASFITTERS LOCAL 12</i>	03/03/2024	\$67.74	\$14.32	\$19.11	\$0.00	\$101.17
	09/01/2024	\$69.54	\$14.32	\$19.11	\$0.00	\$102.97
	03/02/2025	\$71.34	\$14.32	\$19.11	\$0.00	\$104.77
For apprentice rates see "Apprentice- PLUMBER/PIPEFITTER" or "PLUMBER/GASFITTER"						

Additional Apprentice Information:

Minimum wage rates for apprentices employed on public works projects are listed above as a percentage of the pre-determined hourly wage rate established by the Commissioner under the provisions of the M.G.L. c. 149, ss. 26-27D. Apprentice ratios are established by the Division of Apprenticeship Training pursuant to M.G.L. c. 23, ss. 11E-11L.

All apprentices must be registered with the Division of Apprenticeship Training in accordance with M.G.L. c. 23, ss. 11E-11L.

All steps are six months (1000 hours.)

Ratios are expressed in allowable number of apprentices to journeymen or fraction thereof, unless otherwise specified.

** Multiple ratios are listed in the comment field.

*** APP to JM; 1:1, 2:2, 2:3, 3:4, 4:4, 4:5, 4:6, 5:7, 6:7, 6:8, 6:9, 7:10, 8:10, 8:11, 8:12, 9:13, 10:13, 10:14, etc.

**** APP to JM; 1:1, 1:2, 2:3, 2:4, 3:5, 4:6, 4:7, 5:8, 6:9, 6:10, 7:11, 8:12, 8:13, 9:14, 10:15, 10:16, etc.

SECTION 00 83 00

ATTACHMENT B

EXCERPTS FROM CHAPTERS 30, 82, AND 149 OF THE
MASSACHUSETTS GENERAL LAWS

ATTACHMENT B

Excerpts from Chapters 30, 82 and 149 of the Massachusetts General Laws

***NOTICE** - These are **NOT** the official versions of the Massachusetts General Laws (MGL). While reasonable efforts have been made to assure the accuracy of the excerpts provided, do not rely on this information without first checking an official edition of the MGL. If you are in need of legal advice or counsel, consult a lawyer. These excerpts include amendments to the General Laws passed before January 4, 2023. For laws enacted since that time, see the 2023 Session Laws.*

CERTAIN EXCERPTS FROM THE MASSACHUSETTS GENERAL LAWS ARE APPLICABLE TO CONSTRUCTION CONTRACTS. ATTENTION IS DIRECTED TO THE FOLLOWING SECTIONS OF CHAPTER 149 AS AMENDED.

Section 25. LODGING, BOARD AND TRADE OF PUBLIC EMPLOYEES; STATUTE PART OF EMPLOYMENT CONTRACT.

"Every employee in public work shall lodge, board, and trade where and with whom he elects; and no person or his agents or employees under contract with the commonwealth, a county, city or town, or with a department, board, commission or officer acting therefor, for the doing of public work shall directly or indirectly require, as a condition of employment therein, that the employee shall lodge, board or trade at a particular place or with a particular person. This section shall be made a part of the contract for such employment."

Section 26. PUBLIC WORKS; PREFERENCE TO VETERANS AND CITIZENS; WAGES.

"In the employment of mechanics and apprentices, teamsters, chauffeurs and laborers in the construction of public works by the commonwealth, or by a county, town, authority or district, or by persons contracting or subcontracting for such works, preference shall first be given to citizens of the commonwealth who have been residents of the commonwealth for at least six months at the commencement of their employment who are veterans as defined in clause Forty-third of section 7 of chapter 4 and who are qualified to perform the work to which the employment relates and, within such preference, preference shall be given to service-disabled veterans; and secondly, to citizens of the commonwealth generally who have been residents of the commonwealth for at least six months at the commencement of their employment, and if they cannot be obtained in sufficient numbers, then to citizens of the United States, and every contract for such work shall contain a provision to this effect..."

Section 34. PUBLIC CONTRACTS; STIPULATION AS TO HOURS AND DAYS OF WORK; VOID CONTRACTS.

"Every contract, except for the purchase of material or supplies, involving the employment of laborers, workmen, mechanics, foremen or inspectors, to which the commonwealth or any county or any town, subject to section thirty, is a party, shall contain a stipulation that no laborer, workman, mechanic, foreman or inspector working within the commonwealth, in the employ of the contractor, subcontractor or other person doing or contracting to do the whole or a part of the work contemplated by the contract, shall be required or permitted to work more than eight hours in any one day or more than forty-eight hours in any one week, or more than six days in any one week, except in cases of emergency, or, in case any town subject to section thirty-one is a party to such a contract, more than eight hours in any one day, except as aforesaid..."

Section 34A. CONTRACTS FOR PUBLIC WORKS; WORKERS' COMPENSATION INSURANCE; BREACH OF CONTRACT; ENFORCEMENT AND VIOLATION OF STATUTE.

"Every contract for the construction, alteration, maintenance, repair or demolition of, or addition to, any public building or other public works for the commonwealth or any political subdivision thereof shall contain stipulations requiring that the contractor shall, before commencing performance of such contract, provide by insurance for the payment of compensation and the furnishing of other benefits under chapter one hundred and fifty-two to all persons to be employed under the contract, and that the contractor shall continue such insurance in full force and effect during the term of the contract. No officer or agent contracting in behalf of the commonwealth or any political subdivision thereof shall award such a contract until he has been furnished with sufficient proof of compliance with the aforesaid

stipulations. Failure to provide and continue in force such insurance as aforesaid shall be deemed a material breach of the contract and shall operate as an immediate termination thereof. No cancellation of such insurance, whether by the insurer or by the insured, shall be valid unless written notice thereof is given by the party proposing cancellation to the other party and to the officer or agent who awarded the contract at least fifteen days prior to the intended effective date thereof, which date shall be expressed in said notice. Notice of cancellation sent by the party proposing cancellation by registered mail, postage prepaid, with a return receipt of the addressee requested, shall be a sufficient notice..."

Section 34B. CONTRACTS FOR PUBLIC WORKS; WAGES FOR RESERVE POLICE OFFICER.

"Every contract for the construction, alteration, maintenance, repair or demolition of, or addition to, any public works for the commonwealth or any political subdivision thereof shall contain stipulations requiring that the contractor shall pay to any reserve police officer employed by him in any city or town the prevailing rate of wage paid to regular police officers in such city or town."

Whenever general bids are invited for a contract subject to Section 44A, the following provision applies:

Section 44E. FILING OF BIDS; FORMS; MODULAR BUILDINGS. Second paragraph of subdivision (2), clause E.

"The undersigned hereby certifies that he is able to furnish labor that can work in harmony with all other elements of labor employed or to be employed on the work; that all employees to be employed at the worksite will have successfully completed a course in construction safety and health approved by the United States Occupational Safety and Health Administration that is at least 10 hours in duration at the time the employee begins work and who shall furnish documentation of successful completion of said course with the first certified payroll report for each employee; and that he will comply fully with all laws and regulations applicable to awards made subject to section 44A."

For projects estimated to cost more than \$25,000, the following provision applies to sub-bidders:

Section 44F. PLANS AND SPECIFICATIONS; SUB-BIDS; FORM; CONTENTS. First paragraph of clause I of subdivision (2) of section 44F.

"The undersigned hereby certifies that he is able to furnish labor that can work in harmony with all other elements of labor employed or to be employed on the work; that all employees to be employed at the worksite will have successfully completed a course in construction safety and health approved by the United States Occupational Safety and Health Administration that is at least 10 hours in duration at the time the employee begins work and who shall furnish documentation of successful completion of said course with the first certified payroll report for each employee; and that he will comply fully with all laws and regulations applicable to awards of subcontracts subject to section 44F."

Section 44G. ALLOWANCES; ALTERNATES; WEATHER PROTECTION DEVICES.

"(A) "Allowance" as used herein means a sum of money covering one or more items of labor or labor and materials which is designated in bid documents and which general bidders are required to use in computing their bids. The use of such allowances shall be prohibited in the award of any contract subject to the provisions of section forty-four A. Whenever the designer is unable to supply specifications for any item prior to the solicitation of bids, such item shall not be included in any contract subject to the provisions of section forty-four A. The awarding authority shall solicit bids for every such item separately pursuant to the provisions of section forty-four A after specifications for that item are prepared.

(B) Every alternate contained in the form for general bids shall be listed in a numerical sequence in order of priority. When the awarding authority decides to consider alternates in determining the lowest eligible and responsible bidder, the awarding authority shall consider the alternates in descending numerical sequence, such that no single alternate shall be considered unless every alternate preceding it on the list has been added to or subtracted from the base bid price.

(C) The use of options other than alternates in bid documents or bid forms subject to section forty-four A shall be prohibited under all circumstances.

(D) Every contract subject to section forty-four A shall include specifications for the installation of weather protection and shall require that the contractor shall install the same and that he shall furnish adequate heat in the area so protected during the months of November through March. Standards for such specifications shall be established by the commissioner or his designee.”

Section 44J. INVITATIONS TO BID; NOTICE; CONTENTS; VIOLATIONS; PENALTY.

"(1) No public agency or authority of the commonwealth or any political subdivision thereof shall award any contract for which competitive bids are required pursuant to section forty-four A of this chapter or section thirty-nine M of chapter thirty, or for which competitive proposals are required pursuant to subsection (4) of section forty-four E of this chapter or section eleven C of chapter twenty-five A, unless a notice inviting bids or proposals therefor shall have been posted no less than one week prior to the time specified in such notice for the receipt of said bids or proposals in a conspicuous place in or near the offices of the awarding authority, and shall have remained posted until the time so specified, and unless such notice shall also have been published at least once not less than two weeks prior to the time so specified in the central register published by the secretary of state pursuant to section twenty A of chapter nine and in a newspaper of general circulation in the locality of the proposed project, and on the COMMBUYS system administered by the operational services division. Said notice shall also be published at such other times and in such other newspapers or trade periodicals as the commissioner of capital asset management and maintenance may require, having regard to the locality of the work involved.

(2) Said notice shall specify the time and place where plans and specifications of the proposed work may be had; the time and place of submission of general bids; and the time and place for opening of the general bids. For contracts subject to the provisions of section forty-four A to H, inclusive, of this chapter, said notice shall also specify the time and place for submission of filed sub-bids, where required pursuant to section forty-four F; and the time and place for opening of said filed sub-bids.

Said notice shall also provide sufficient facts concerning the nature and scope of such project, the type and elements of construction, and such other information as will assist applicants in deciding to bid on such contract.

(3) No contract or preliminary plans and specifications shall be split or divided for the purpose of evading the provisions of this section.

(4) General bids and filed sub-bids for any contract subject to this section shall be in writing and shall be opened in public at the time and place specified in the posted or published notice, and after being so opened shall be open to public inspection.

(5) The provisions of this section shall not apply to any transaction between the commonwealth and any public service corporation.

(6) The provisions of this section may be waived in cases of extreme emergency involving the health and safety of the people and their property, upon the written approval of said commissioner. The written approval shall contain a description of the circumstances and the reasons for the commissioner's determination.

(7) Whoever violates any provision of this section shall be punished by a fine of not more than ten thousand dollars or by imprisonment in the state prison for not more than three years or in a jail or house of correction for not more than two and one-half years, or by both said fine and imprisonment; and in the event of final conviction, said person shall be incapable of holding any office of honor, trust or profit under the commonwealth or under any county, district of municipal agency.

Each and every person who shall cause or conspire to cause any contract or preliminary plans and specifications to be split or divided for the purpose of evading the provisions of this section shall forfeit and pay to the commonwealth, a political subdivision thereof or other awarding authority subject to this section, the sum of not more than five thousand dollars and, in addition, such person or persons shall pay, apportioned among them, double the amount of damages

which the commonwealth or political subdivision thereof or other awarding authority may have sustained by reason of the doing of such act, together with the costs of the action.

(8) If an awarding authority rejects all general bids or does not receive any general bids, and advertises for a second opening of general bids with the original filed sub-bids as set forth in subsection (1) of section forty-four E the notice for receipt of such general bids may be published in the central register and elsewhere as required not less than one week prior to the time specified for such second opening of general bids.

(9) No request for proposals or invitation for bids issued under sections 38A ½ to 38O, inclusive, of chapter 7, section 11C of chapter 25A, section 39M of chapter 30, this section and sections 44A to 44H, inclusive, shall be advertised if the awarding authority's cost estimate is greater than 1 year old."

Attention is directed to the following sections of Chapter 30 of the General Laws of Massachusetts as amended to date.

Section 38A. PRICE ADJUSTMENT CLAUSE IN CONTRACTS FOR ROAD, BRIDGE, WATER AND SEWER PROJECTS AWARDED UNDER SEC. 39M

"Contracts for road and bridge projects awarded as a result of a proposal or invitation for bids under section 39M shall include a price adjustment clause for each of the following materials: fuel, both diesel and gasoline; asphalt; concrete; and steel. Contracts for water and sewer projects awarded as a result of a proposal or invitation for bids under said section 39M shall include a price adjustment clause for fuel, both diesel and gasoline; liquid asphalt; and portland cement contained in cast-in-place concrete. A base price for each material shall be set by the awarding authority or agency and shall be included in the bid documents at the time the project is advertised. The awarding authority or agency shall also identify in the bid documents the price index to be used for each material. The price adjustment clause shall provide for a contract adjustment to be made on a monthly basis when the monthly cost change exceeds plus or minus 5 per cent."

Section 39F. CONSTRUCTION CONTRACTS; ASSIGNMENT AND SUBROGATION; SUBCONTRACTOR DEFINED; ENFORCEMENT OF CLAIM FOR DIRECT PAYMENT; DEPOSIT; REDUCTION OF DISPUTED AMOUNTS.

"(1) Every contract awarded pursuant to sections forty-four A to L inclusive, of chapter one hundred and forty-nine shall contain the following subparagraphs (a) through (i) and every contract awarded pursuant to section thirty-nine M of chapter thirty shall contain the following subparagraphs (a) through (h) and in each case those subparagraphs shall be binding between the general contractor and each subcontractor.

(a) Forthwith after the general contractor receives payment on account of a periodic estimate, the general contractor shall pay to each subcontractor the amount paid for the labor performed and the materials furnished by that subcontractor, less any amount specified in any court proceedings barring such payment and also less any amount claimed due from the subcontractor by the general contractor.

(b) Not later than the sixty-fifth day after each subcontractor substantially completes his work in accordance with the plans and specifications, the entire balance due under the subcontract less amounts retained by the awarding authority as the estimated cost of completing the incomplete and unsatisfactory items of work, shall be due the subcontractor; and the awarding authority shall pay that amount to the general contractor. The general contractor shall forthwith pay to the subcontractor the full amount received from the awarding authority less any amount specified in any court proceedings barring such payment and also less any amount claimed due from the subcontractor by the general contractor.

(c) Each payment made by the awarding authority to the general contractor pursuant to subparagraphs (a) and (b) of this paragraph for the labor performed and the materials furnished by a subcontractor shall be made to the general contractor for the account of that subcontractor; and the awarding authority shall take reasonable steps to compel the general contractor to make each such payment to each such subcontractor. If the awarding authority has received a demand for direct payment from a subcontractor for any amount which has already been included in a payment to the general contractor or which is to be included in a payment to the general contractor for payment to the

subcontractor as provided in subparagraphs (a) and (b), the awarding authority shall act upon the demand as provided in this section.

(d) If, within seventy days after the subcontractor has substantially completed the subcontract work, the subcontractor has not received from the general contractor the balance due under the subcontract including any amount due for extra labor and materials furnished to the general contractor, less any amount retained by the awarding authority as the estimated cost of completing the incomplete and unsatisfactory items of work, the subcontractor may demand direct payment of that balance from the awarding authority. The demand shall be by a sworn statement delivered to or sent by certified mail to the awarding authority, and a copy shall be delivered to or sent by certified mail to the general contractor at the same time. The demand shall contain a detailed breakdown of the balance due under the subcontract and also a statement of the status of completion of the subcontract work. Any demand made after substantial completion of the subcontract work shall be valid even if delivered or mailed prior to the seventieth day after the subcontractor has substantially completed the subcontract work. Within ten days after the subcontractor has delivered or so mailed the demand to the awarding authority and delivered or so mailed a copy to the general contractor, the general contractor may reply to the demand. The reply shall be by a sworn statement delivered to or sent by certified mail to the awarding authority and a copy shall be delivered to or sent by certified mail to the subcontractor at the same time. The reply shall contain a detailed breakdown of the balance due under the subcontract including any amount due for extra labor and materials furnished to the general contractor and of the amount due for each claim made by the general contractor against the subcontractor.

(e) Within fifteen days after receipt of the demand by the awarding authority, but in no event prior to the seventieth day after substantial completion of the subcontract work, the awarding authority shall make direct payment to the subcontractor of the balance due under the subcontract including any amount due for extra labor and materials furnished to the general contractor, less any amount (i) retained by the awarding authority as the estimated cost of completing the incomplete or unsatisfactory items of work, (ii) specified in any court proceedings barring such payment, or (iii) disputed by the general contractor in the sworn reply; provided, that the awarding authority shall not deduct from a direct payment any amount as provided in part (iii) if the reply is not sworn to, or for which the sworn reply does not contain the detailed breakdown required by subparagraph (d). The awarding authority shall make further direct payments to the subcontractor forthwith after the removal of the basis for deductions from direct payments made as provided in parts (i) and (ii) of this subparagraph.

(f) The awarding authority shall forthwith deposit the amount deducted from a direct payment as provided in part (iii) of subparagraph (e) in an interest-bearing joint account in the names of the general contractor and the subcontractor in a bank in Massachusetts selected by the awarding authority or agreed upon by the general contractor and the subcontractor and shall notify the general contractor and the subcontractor of the date of the deposit and the bank receiving the deposit. The bank shall pay the amount in the account, including accrued interest, as provided in an agreement between the general contractor and the subcontractor or as determined by decree of a court of competent jurisdiction.

(g) All direct payments and all deductions from demands for direct payments deposited in an interest-bearing account or accounts in a bank pursuant to subparagraph (f) shall be made out of amounts payable to the general contractor at the time of receipt of a demand for direct payment from a subcontractor and out of amounts which later become payable to the general contractor and in the order of receipt of such demands from subcontractors. All direct payments shall discharge the obligation of the awarding authority to the general contractor to the extent of such payment.

(h) The awarding authority shall deduct from payments to a general contractor amounts which, together with the deposits in interest-bearing accounts pursuant to subparagraph (f), are sufficient to satisfy all unpaid balances of demands for direct payment received from subcontractors. All such amounts shall be earmarked for such direct payments, and the subcontractors shall have a right in such deductions prior to any claims against such amounts by creditors of the general contractor.

(i) If the subcontractor does not receive payment as provided in subparagraph (a) or if the general contractor does not submit a periodic estimate for the value of the labor or materials performed or furnished by the subcontractor and the subcontractor does not receive payment for same when due less the deductions provided for in subparagraph (a), the subcontractor may demand direct payment by following the procedure in subparagraph (d) and the general

contractor may file a sworn reply as provided in that same subparagraph. A demand made after the first day of the month following that for which the subcontractor performed or furnished the labor and materials for which the subcontractor seeks payment shall be valid even if delivered or mailed prior to the time payment was due on a periodic estimate from the general contractor. Thereafter the awarding authority shall proceed as provided in subparagraph (e), (f), (g), and (h).

(2) Any assignment by a subcontractor of the rights under this section to a surety company furnishing a bond under the provisions of section twenty-nine of chapter one hundred forty-nine shall be invalid. The assignment and subrogation rights of the surety to amounts included in a demand for direct payment which are in the possession of the awarding authority or which are on deposit pursuant to subparagraph (f) of paragraph (1) shall be subordinate to the rights of all subcontractors who are entitled to be paid under this section and who have not been paid in full.

(3) "Subcontractor" as used in this section (i) for contracts awarded as provided in sections forty-four A to forty-four H, inclusive, of chapter one hundred forty-nine shall mean a person who files a sub-bid and receives a subcontract as a result of that filed sub-bid or who is approved by the awarding authority in writing as a person performing labor or both performing labor and furnishing materials pursuant to a contract with the general contractor, (ii) for contracts awarded as provided in paragraph (a) of section thirty-nine M of chapter thirty shall mean a person approved by the awarding authority in writing as a person performing labor or both performing labor and furnishing materials pursuant to a contract with the general contractor, and (iii) for contracts with the commonwealth not awarded as provided in forty-four A to forty-four H, inclusive, of chapter one hundred forty-nine shall also mean a person contracting with the general contractor to supply materials used or employed in a public works project for a price in excess of five thousand dollars.

(4) A general contractor or a subcontractor shall enforce a claim to any portion of the amount of a demand for direct payment deposited as provided in subparagraph (f) of paragraph 1 by a petition in equity in the superior court against the other and the bank shall not be a necessary party. A subcontractor shall enforce a claim for direct payment or a right to require a deposit as provided in subparagraph (f) of paragraph 1 by a petition in equity in the superior court against the awarding authority and the general contractor shall not be a necessary party. Upon motion of any party the court shall advance for speedy trial any petition filed as provided in this paragraph. Sections fifty-nine and fifty-nine B of chapter two hundred thirty-one shall apply to such petitions. The court shall enter an interlocutory decree upon which execution shall issue for any part of a claim found due pursuant to sections fifty-nine and fifty-nine B and, upon motion of any party, shall advance for speedy trial the petition to collect the remainder of the claim. Any party aggrieved by such interlocutory decree shall have the right to appeal therefrom as from a final decree. The court shall not consolidate for trial the petition of any subcontractor with the petition of one or more subcontractors or the same general contract unless the court finds that a substantial portion of the evidence of the same events during the course of construction (other than the fact that the claims sought to be consolidated arise under the same general contract) is applicable to the petitions sought to be consolidated and that such consolidation will prevent unnecessary duplication of evidence. A decree in any such proceeding shall not include interest on the disputed amount deposited in excess of the interest earned for the period of any such deposit. No person except a subcontractor filing a demand for direct payment for which no funds due the general contractor are available for direct payment shall have a right to file a petition in court of equity against the awarding authority claiming a demand for direct payment is premature and such subcontractor must file the petition before the awarding authority has made a direct payment to the subcontractor and has made a deposit of the disputed portion as provided in part (iii) of subparagraph (e) and in subparagraph (f) of paragraph (1).

(5) In any petition to collect any claim for which a subcontractor has filed a demand for direct payment the court shall, upon motion of the general contractor, reduce by the amount of any deposit of a disputed amount by the awarding authority as provided in part (iii) of subparagraph (e) and in subparagraph (f) of paragraph (1) any amount held under a trustee writ or pursuant to a restraining order or injunction."

Section 39G. COMPLETION OF PUBLIC WORKS; SEMI-FINAL AND FINAL ESTIMATES; PAYMENTS; EXTRA WORK; DISPUTED ITEMS.

"Upon substantial completion of the work required by a contract with the commonwealth, or any agency or political subdivision thereof, for the construction, reconstruction, alteration, remodeling, repair or improvement of public ways, including bridges and other highway structures, sewers and water mains, airports and other public works, the

contractor shall present in writing to the awarding authority its certification that the work has been substantially completed. Within twenty-one days thereafter, the awarding authority shall present to the contractor either a written declaration that the work has been substantially completed or an itemized list of incomplete or unsatisfactory work items required by the contract sufficient to demonstrate that the work has not been substantially completed. The awarding authority may include with such list a notice setting forth a reasonable time, which shall not in any event be prior to the contract completion date, within which the contractor must achieve substantial completion of the work. In the event that the awarding authority fails to respond, by presentation of a written declaration or itemized list as aforesaid, to the contractor's certification within the twenty-one-day period, the contractor's certification shall take effect as the awarding authority's declaration that the work has been substantially completed.

Within sixty-five days after the effective date of a declaration of substantial completion, the awarding authority shall prepare and forthwith send to the contractor for acceptance a substantial completion estimate for the quantity and price of the work done and all but one percent retainage, if held by the awarding authority, on that work, including the quantity, price and all but one percent retainage, if held by the awarding authority, for the undisputed part of each work item and extra work item in dispute but excluding the disputed part thereof, less the estimated cost of completing all incomplete and unsatisfactory work items and less the total periodic payments made to date for the work. The awarding authority also shall deduct from the substantial completion estimate an amount equal to the sum of all demands for direct payment filed by subcontractors and not yet paid to subcontractors or deposited in joint accounts pursuant to section thirty-nine F, but no contract subject to said section thirty-nine F shall contain any other provision authorizing the awarding authority to deduct any amount by virtue of claims asserted against the contract by subcontractors, material suppliers or others.

If the awarding authority fails to prepare and send to the contractor any substantial completion estimate required by this section on or before the date herein above set forth, the awarding authority shall pay to the contractor interest on the amount which would have been due to the contractor pursuant to such substantial completion estimate at the rate of three percentage points above the rediscount rate then charged by the Federal Reserve Bank of Boston from such date to the date on which the awarding authority sends that substantial completion estimate to the contractor for acceptance or to the date of payment therefor, whichever occurs first. The awarding authority shall include the amount of such interest in the substantial completion estimate.

Within fifteen days after the effective date of the declaration of substantial completion, the awarding authority shall send to the contractor by certified mail, return receipt requested, a complete list of all incomplete or unsatisfactory work items, and, unless delayed by causes beyond his control, the contractor shall complete all such work items within forty-five days after the receipt of such list or before the then contract completion date, whichever is later. If the contractor fails to complete such work within such time, the awarding authority may, subsequent to seven days' written notice to the contractor by certified mail, return receipt requested, terminate the contract and complete the incomplete or unsatisfactory work items and charge the cost of same to the contractor.

Within thirty days after receipt by the awarding authority of a notice from the contractor stating that all of the work required by the contract has been completed, the awarding authority shall prepare and forthwith send to the contractor for acceptance a final estimate for the quantity and price of the work done and all retainage, if held by the awarding authority, on that work less all payments made to date, unless the awarding authority's inspection shows that work items required by the contract remain incomplete or unsatisfactory, or that documentation required by the contract has not been completed. If the awarding authority fails to prepare and send to the contractor the final estimate within thirty days after receipt of notice of completion, the awarding authority shall pay to the contractor interest on the amount which would have been due to the contractor pursuant to such final estimate at the rate hereinabove provided from the thirtieth day after such completion until the date on which the awarding authority sends the final estimate to the contractor for acceptance or the date of payment therefor, whichever occurs first, provided that the awarding authority's inspection shows that no work items required by the contract remain incomplete or unsatisfactory. Interest shall not be paid hereunder on amounts for which interest is required to be paid in connection with the substantial completion estimate as hereinabove provided. The awarding authority shall include the amount of the interest required to be paid hereunder in the final estimate.

The awarding authority shall pay the amount due pursuant to any substantial completion or final estimate within thirty-five days after receipt of written acceptance for such estimate from the contractor and shall pay interest on the amount due pursuant to such estimate at the rate hereinabove provided from that thirty-fifth day to the date of payment.

Within 15 days, 30 days in the case of the commonwealth, after receipt from the contractor, at the place designated by the awarding authority, if such place is so designated, of a periodic estimate requesting payment of the amount due for the preceding periodic estimate period, the awarding authority shall make a periodic payment to the contractor for the work performed during the preceding periodic estimate period and for the materials not incorporated in the work but delivered and suitably stored at the site, or at some location agreed upon in writing, to which the contractor has title or to which a subcontractor has title and has authorized the contractor to transfer title to the awarding authority, upon certification by the contractor that he is the lawful owner and that the materials are free from all encumbrances. The awarding authority shall include with each such payment interest on the amount due pursuant to such periodic estimate at the rate herein above provided from the due date. In the case of periodic payments, the contracting authority may deduct from its payment a retention based on its estimate of the fair value of its claims against the contractor, a retention for direct payments to subcontractors based on demands for same in accordance with the provisions of section thirty-nine F, and a retention to secure satisfactory performance of the contractual work not exceeding five per cent of the approved amount of any periodic payment, and the same right to retention shall apply to bonded subcontractors entitled to direct payment under section thirty-nine F of chapter thirty; provided, that a five per cent value of all items that are planted in the ground shall be deducted from the periodic payments until final acceptance.

No periodic, substantial completion or final estimate or acceptance or payment thereof shall bar a contractor from reserving all rights to dispute the quantity and amount of, or the failure of the awarding authority to approve a quantity and amount of, all or part of any work item or extra work item.

Substantial completion, for the purposes of this section, shall mean either that the work required by the contract has been completed except for work having a contract price of less than one percent of the then adjusted total contract price, or substantially all of the work has been completed and opened to public use except for minor incomplete or unsatisfactory work items that do not materially impair the usefulness of the work required by the contract."

Section 39I. DEVIATIONS FROM PLANS AND SPECIFICATIONS.

"Every contractor having a contract for the construction, alteration, maintenance, repair or demolition of, or addition to, any public building or public works for the commonwealth, or of any political subdivision thereof, shall perform all the work required by such contract in conformity with the plans and specifications contained therein. No wilful and substantial deviation from said plans and specifications shall be made unless authorized in writing by the awarding authority or by the engineer or architect in charge of the work who is duly authorized by the awarding authority to approve such deviations. In order to avoid delays in the prosecution of the work required by such contract such deviation from the plans or specifications may be authorized by a written order of the awarding authority or such engineer or architect so authorized to approve such deviation. Within thirty days thereafter, such written order shall be confirmed by a certificate of the awarding authority stating: (1) if such deviation involves any substitution or elimination of materials, fixtures or equipment, the reasons why such materials, fixtures or equipment were included in the first instance and the reasons for substitution or elimination, and, if the deviation is of any other nature, the reasons for such deviation, giving justification therefor; (2) that the specified deviation does not materially injure the project as a whole; (3) that either the work substituted for the work specified is of the same cost and quality, or that an equitable adjustment has been agreed upon between the contracting agency and the contractor and the amount in dollars of said adjustment; and (4) that the deviation is in the best interest of the contracting authority.

Such certificate shall be signed under the penalties of perjury and shall be a permanent part of the file record of the work contracted for.

Whoever violates any provision of this section wilfully and with intent to defraud shall be punished by a fine of not more than five thousand dollars or by imprisonment for not more than six months, or both."

Section 39J. PUBLIC CONSTRUCTION CONTRACTS; EFFECT OF DECISIONS OF CONTRACTING BODY OR ADMINISTRATIVE BOARD.

"Notwithstanding any contrary provision of any contract for the construction, reconstruction, alteration, remodeling, repair or demolition of any public building or public works by the commonwealth, or by any county, city, town, district, board, commission or other public body, when the amount of the contract is more than five thousand dollars in the case of the commonwealth and more than two thousand dollars in the case of any county, city, town, district,

board, commission or other public body, a decision, by the contracting body or by any administrative board, official or agency, or by any architect or engineer, on a dispute, whether of fact or of law, arising under said contract shall not be final or conclusive if such decision is made in bad faith, fraudulently, capriciously, or arbitrarily is unsupported by substantial evidence, or is based upon error of law.”

Section 39K. PUBLIC BUILDING CONSTRUCTION CONTRACTS; PAYMENTS.

"Every contract for the construction, reconstruction, alteration, remodeling, repair or demolition of any public building by the commonwealth, or by any county, city, town, district, board, commission or other public body, when the amount is more than five thousand dollars in the case of the commonwealth and more than two thousand dollars in the case of any county, city, town, district, board, commission or other public body, shall contain the following paragraph: Within fifteen days (30 days in the case of the commonwealth, including local housing authorities) after receipt from the contractor, at the place designated by the awarding authority if such a place is so designated, of a periodic estimate requesting payment of the amount due for the preceding month, the awarding authority will make a periodic payment to the contractor for the work performed during the preceding month and for the materials not incorporated in the work but delivered and suitably stored at the site (or at some location agreed upon in writing) to which the contractor has title or to which a subcontractor has title and has authorized the contractor to transfer title to the awarding authority, upon certification by the contractor that he is the lawful owner and that the materials are free from all encumbrances, but less (1) a retention based on its estimate of the fair value of its claims against the contractor and less (2) a retention for direct payments to subcontractors based on demands for same in accordance with the provisions of section thirty-nine F, and less (3) a retention not exceeding five percent of the approved amount of the periodic payment. After the receipt of a periodic estimate requesting final payment and within sixty-five-days after (a) the contractor fully completes the work or substantially completes the work so that the value of the work remaining to be done is, in the estimate of the awarding authority, less than one percent of the original contract price, or (b) the contractor substantially completes the work and the awarding authority takes possession for occupancy, whichever occurs first, the awarding authority shall pay the contractor the entire balance due on the contract less (1) a retention based on its estimate of the fair value of its claims against the contractor and of the cost of completing the incomplete and unsatisfactory items of work and less (2) a retention for direct payments to subcontractors based on demands for same in accordance with the provisions of section thirty-nine F, or based on the record of payments by the contractor to the subcontractors under this contract if such record of payment indicates that the contractor has not paid subcontractors as provided in section thirty-nine F. If the awarding authority fails to make payment as herein provided, there shall be added to each such payment daily interest at the rate of three percentage points above the rediscount rate then charged by the Federal Reserve Bank of Boston commencing on the first day after said payment is due and continuing until the payment is delivered or mailed to the contractor; provided, that no interest shall be due, in any event, on the amount due on a periodic estimate for final payment until fifteen days (twenty-four days in the case of the commonwealth) after receipt of such a periodic estimate from the contractor, at the place designated by the awarding authority if such a place is so designated. The contractor agrees to pay to each subcontractor a portion of any such interest paid in accordance with the amount due each subcontractor.

The awarding authority may make changes in any periodic estimate submitted by the contractor and the payment due on said periodic estimate shall be computed in accordance with the changes so made, but such changes or any requirement for a corrected periodic estimate shall not affect the due date for the periodic payment or the date for the commencement of interest charges on the amount of the periodic payment computed in accordance with the changes made, as provided herein; provided, that the awarding authority may, within seven days after receipt, return to the contractor for correction, any periodic estimate which is not in the required form or which contains computations not arithmetically correct and, in that event, the date of receipt of such periodic estimate shall be the date of receipt of the corrected periodic estimate in proper form and with arithmetically correct computations. The date of receipt of a periodic estimate received on a Saturday shall be the first working day thereafter. The provisions of section thirty-nine G shall not apply to any contract for the construction, reconstruction, alteration, remodeling, repair or demolition of any public building to which this section applies.

All periodic estimates shall be submitted to the awarding authority, or to its designee as set forth in writing to the contractor, and the date of receipt by the awarding authority or its designee shall be marked on the estimate. All periodic estimates shall contain a separate item for each filed subtrade and each sub-subtrade listed in sub-bid form as required by specifications and a column listing the amount paid to each subcontractor and sub-subcontractor as of the date the periodic estimate is filed. The person making payment for the awarding authority shall add the daily interest

provided for herein to each payment for each day beyond the due date based on the date of receipt marked on the estimate.

A certificate of the architect to the effect that the contractor has fully or substantially completed the work shall, subject to the provisions of section thirty-nine J, be conclusive for the purposes of this section.

Notwithstanding the provisions of this section, at any time after the value of the work remaining to be done is, in the estimation of the awarding authority, less than 1 per cent of the adjusted contract price, or the awarding authority has determined that the contractor has substantially completed the work and the awarding authority has taken possession for occupancy, the awarding authority may send to the general contractor by certified mail, return receipt requested, a complete and final list of all incomplete and unsatisfactory work items, including, for each item on the list, a good faith estimate of the fair and reasonable cost of completing such item. The general contractor shall then complete all such work items within 30 days of receipt of such list or before the contract completion date, whichever is later. If the general contractor fails to complete all incomplete and unsatisfactory work items within 45 days after receipt of such items furnished by the awarding authority or before the contract completion date, whichever is later, subsequent to an additional 14 days' written notice to the general contractor by certified mail, return receipt requested, the awarding authority may terminate the contract and complete the incomplete and unsatisfactory work items and charge the cost of same to the general contractor and such termination shall be without prejudice to any other rights or remedies the awarding authority may have under the contract. The awarding authority shall note any such termination in the evaluation form to be filed by the awarding authority pursuant to the provisions of section 44D of chapter 149."

Section 39L. PUBLIC CONSTRUCTION WORK BY FOREIGN CORPORATIONS; RESTRICTIONS AND REPORTS.

"The commonwealth and every county, city, town, district, board, commission or other public body which, as the awarding authority, requests proposals, bids or sub-bids for any work in the construction, reconstruction, alteration, remodeling, repair or demolition of any public building or other public works (1) shall not enter into a contract for the work with, and shall not approve as a subcontractor furnishing labor and materials for a part of the work, a foreign corporation which has not filed with such awarding authority a certificate of the state secretary stating that the corporation has complied with requirements of section 15.03 of subdivision A of Part 15 of chapter 156D and the date of compliance, and further has filed all annual reports required by section 16.22 of subdivision B of Part 16 of said chapter 156D, and (2) shall report to the state secretary and to the department of corporations and taxation any foreign corporation performing work under such contract or subcontract, and any person, other than a corporation, performing work under such contract or subcontract, and residing or having a principal place of business outside the commonwealth."

Section 39M. CONTRACTS FOR CONSTRUCTION AND MATERIALS; MANNER OF AWARDING.

"(b) Specifications for such contracts, and specifications for contracts awarded pursuant to the provisions of said sections forty-four A to forty-four L of said chapter one hundred and forty-nine, shall be written to provide for full competition for each item of material to be furnished under the contract; except, however, that said specifications may be otherwise written for sound reasons in the public interest stated in writing in the public records of the awarding authority or promptly given in writing by the awarding authority to anyone making a written request therefor, in either instance such writing to be prepared after reasonable investigation. Every such contract shall provide that an item equal to that named or described in the said specifications may be furnished; and an item shall be considered equal to the item so named or described if, in the opinion of the awarding authority: (1) it is at least equal in quality, durability, appearance, strength and design, (2) it will perform at least equally the function imposed by the general design for the public work being contracted for or the material being purchased, and (3) it conforms substantially, even with deviations, to the detailed requirements for the item in the said specifications. For each item of material the specifications shall provide for either a minimum of three named brands of material or a description of material which

can be met by a minimum of three manufacturers or producers, and for the equal of any one of said named or described materials."

For projects estimated to cost more than \$10,000, the following provision, section 39M subsection c, applies:

"(c) The term "lowest responsible and eligible bidder" shall mean the bidder: (1) whose bid is the lowest of those bidders possessing the skill, ability and integrity necessary for the faithful performance of the work; (2) who shall certify, that he is able to furnish labor that can work in harmony with all other elements of labor employed or to be employed in the work; (3) who shall certify that all employees to be employed at the worksite will have successfully completed a course in construction safety and health approved by the United States Occupational Safety and Health Administration that is at least 10 hours in duration at the time the employee begins work and who shall furnish documentation of successful completion of said course with the first certified payroll report for each employee; (4) who, where the provisions of section 8B of chapter 29 apply, shall have been determined to be qualified thereunder; and (5) who obtains within 10 days of the notification of contract award the security by bond required under section 29 of chapter 149; provided that for the purposes of this section the term "security by bond" shall mean the bond of a surety company qualified to do business under the laws of the commonwealth and satisfactory to the awarding authority; provided further, that if there is more than 1 surety company, the surety companies shall be jointly and severally liable."

Section 39N. CONSTRUCTION CONTRACTS; EQUITABLE ADJUSTMENT IN CONTRACT PRICE FOR DIFFERING SUBSURFACE OR LATENT PHYSICAL CONDITIONS.

"Every contract subject to section forty-four A of chapter one hundred and forty-nine or subject to section thirty-nine M of chapter thirty shall contain the following paragraph in its entirety and an awarding authority may adopt reasonable rules or regulations in conformity with that paragraph concerning the filing, investigation and settlement of such claims:

If, during the progress of the work, the contractor or the awarding authority discovers that the actual subsurface or latent physical conditions encountered at the site differ substantially or materially from those shown on the plans or indicated in the contract documents either the contractor or the contracting authority may request an equitable adjustment in the contract price of the contract applying to work affected by the differing site conditions. A request for such an adjustment shall be in writing and shall be delivered by the party making such claim to the other party as soon as possible after such conditions are discovered. Upon receipt of such a claim from a contractor, or upon its own initiative, the contracting authority shall make an investigation of such physical conditions, and, if they differ substantially or materially from those shown on the plans or indicated in the contract documents or from those ordinarily encountered and generally recognized as inherent in work of the character provided for in the plans and contract documents and are of such a nature as to cause an increase or decrease in the cost of performance of the work or a change in the construction methods required for the performance of the work which results in an increase or decrease in the cost of the work, the contracting authority shall make an equitable adjustment in the contract price and the contract shall be modified in writing accordingly."

Section 39O. CONTRACTS FOR CONSTRUCTION AND MATERIALS; SUSPENSION, DELAY OR INTERRUPTION DUE TO ORDER OF AWARDING AUTHORITY; ADJUSTMENT IN CONTRACT PRICE; WRITTEN CLAIM.

"Every contract subject to the provisions of section thirty-nine M of this chapter or subject to section forty-four A of chapter one hundred forty-nine shall contain the following provisions (a) and (b) in their entirety and, in the event a suspension, delay, interruption or failure to act of the awarding authority increases the cost of performance to any subcontractor, that subcontractor shall have the same rights against the general contractor for payment for an increase in the cost of his performance as provisions (a) and (b) give the general contractor against the awarding authority, but nothing in provisions (a) and (b) shall in any way change, modify or alter any other rights which the general contractor or the subcontractor may have against each other.

(a) The awarding authority may order the general contractor in writing to suspend, delay, or interrupt all or any part of the work for such period of time as it may determine to be appropriate for the convenience of the awarding authority; provided however, that if there is a suspension, delay or interruption for fifteen days or more or due to a failure of the

awarding authority to act within the time specified in this contract, the awarding authority shall make an adjustment in the contract price for any increase in the cost of performance of this contract but shall not include any profit to the general contractor on such increase; and provided further, that the awarding authority shall not make any adjustment in the contract price under this provision for any suspension, delay, interruption or failure to act to the extent that such is due to any cause for which this contract provides for an equitable adjustment of the contract price under any other contract provisions.

(b) The general contractor must submit the amount of a claim under provision (a) to the awarding authority in writing as soon as practicable after the end of the suspension, delay, interruption or failure to act and, in any event, not later than the date of final payment under this contract and, except for costs due to a suspension order, the awarding authority shall not approve any costs in the claim incurred more than twenty days before the general contractor notified the awarding authority in writing of the act or failure to act involved in the claim.”

Section 39P. CONTRACTS FOR CONSTRUCTION AND MATERIALS; AWARDING AUTHORITY’S DECISIONS ON INTERPRETATION OF SPECIFICATIONS, ETC.; TIME LIMIT; NOTICE.

"Every contract subject to section thirty-nine M of this chapter or section forty-four A of chapter one hundred forty-nine which requires the awarding authority, any official, its architect or engineer to make a decision on interpretation of the specifications, approval of equipment, material or any other approval, or progress of the work, shall require that the decision be made promptly and, in any event, no later than thirty days after the written submission for decision; but if such decision requires extended investigation and study, the awarding authority, the official, architect or engineer shall, within thirty days after the receipt of the submission, give the party making the submission written notice of the reasons why the decision cannot be made within the thirty day period and the date by which the decision will be made."

Section 39Q. CONTRACTS FOR CAPITAL FACILITY CONSTRUCTION; CONTENTS; ANNUAL CLAIMS REPORT.

“(1) Every contract awarded by any state agency as defined by section thirty-nine A of chapter seven for the construction, reconstruction, alteration, remodeling, repair or demolition of any capital facility as defined by the aforesaid section thirty-nine A shall contain the following subparagraphs (a) through (d) in their entirety:

(a) Disputes regarding changes in and interpretations of the terms or scope of the contract and denials of or failures to act upon claims for payment for extra work or materials shall be resolved according to the following procedures, which shall constitute the exclusive method for resolving such disputes. Written notice of the matter in dispute shall be submitted promptly by the claimant to the chief executive official of the state agency which awarded the contract or his designee. No person or business entity having a contract with a state agency shall delay, suspend, or curtail performance under that contract as a result of any dispute subject to this section. Any disputed order, decision or action by the agency or its authorized representative shall be fully performed or complied with pending resolution of the dispute.

(b) Within thirty days of submission of the dispute to the chief executive official of the state agency or his designee, he shall issue a written decision stating the reasons therefor, and shall notify the parties of their right of appeal under this section. If the official or his designee is unable to issue a decision within thirty days, he shall notify the parties to the dispute in writing of the reasons why a decision cannot be issued within thirty days and of the date by which the decision shall issue. Failure to issue a decision within the thirty-day period or within the additional time period specified in such written notice shall be deemed to constitute a denial of the claim and shall authorize resort to the appeal procedure described below. The decision of the chief executive official or his designee shall be final and conclusive unless an appeal is taken as provided below.

(c) Within twenty-one calendar days of the receipt of a written decision or of the failure to issue a decision as stated in the preceding subparagraph, any aggrieved party may file a notice of claim for an adjudicatory hearing with the division of hearing officers or the aggrieved party may file an action directly in a court of competent jurisdiction and shall serve copies thereof upon all other parties in the form and manner prescribed by the rules governing the conduct of adjudicatory proceedings of the division of hearing officers. In the event an aggrieved party exercises his option to file an action directly in court as provided in the previous sentence, the twenty-one day period shall not apply to such

filing and the period of filing such action shall be the same period otherwise applicable for filing a civil action in superior court. The appeal shall be referred to a hearing officer experienced in construction law and shall be prosecuted in accordance with the formal rules of procedure for the conduct of adjudicatory hearings of the division of hearing officers, except as provided below. The hearing officer shall issue a final decision as expeditiously as possible, but in no event more than one hundred and twenty calendar days after conclusion of the adjudicatory hearing, unless the decision is delayed by a request for extension of time for filing post-hearing briefs or other submissions assented to by all parties. Whenever, because an extension of time has been granted, the hearing officer is unable to issue a decision within one hundred and twenty days, he shall notify all parties of the reasons for the delay and the date when the decision will issue. Failure to issue a decision within the one hundred and twenty-day period or within the additional period specified in such written notice shall give the petitioner the right to pursue any legal remedies available to him without further delay.

(d) When the amount in dispute is less than ten thousand dollars, a contractor who is party to the dispute may elect to submit the appeal to a hearing officer experienced in construction law for expedited hearing in accordance with the informal rules of practice and procedure of the division of hearing officers. An expedited hearing under this subparagraph shall be available at the sole option of the contractor. The hearing officer shall issue a decision no later than sixty days following the conclusion of any hearing conducted pursuant to this subparagraph. The hearing officer's decision shall be final and conclusive, and shall not be set aside except in cases of fraud.

(2) The commissioner of administration shall require the division of hearings officers to prepare annually a report concerning the construction contract claims submitted to the division during the preceding twelve months, in such form as the commissioner shall prescribe. The report shall contain, at a minimum, the following information: the number of claims submitted; the names of all parties to each such claim; a brief description of the claim: the date of submission and of disposition of the claim; its disposition, whether by settlement, withdrawal, default or written decision; and the number of claims currently pending. The original of the report shall be submitted to the commissioner of administration by January fifteenth, and a copy shall be filed with the state librarian and shall be a public document.”

Section 39R. KEEPING AND MAINTAINING OF BOOKS, RECORDS AND ACCOUNTS; STATEMENT OF MANAGEMENT ON INTERNAL ACCOUNTING CONTROL; FINANCIAL STATEMENTS; ENFORCEMENT.

“(a) The words defined herein shall have the meaning stated below whenever they appear in this section:

(1) "Contractor" means any person, corporation, partnership, joint venture, sole proprietorship, or other entity awarded a contract pursuant to sections thirty-eight A 1/2 to thirty-eight O, inclusive, of chapter seven and any contract awarded or executed pursuant to section eleven C of chapter twenty-five A, section thirty-nine M of chapter thirty, or sections forty-four A to forty-four H, inclusive, of chapter one hundred and forty-nine, which is for an amount or estimated amount greater than one hundred thousand dollars.

(2) "Contract" means any contract awarded or executed pursuant to sections thirty-eight A 1/2 to thirty-eight O, inclusive, of chapter seven and any contract awarded or executed pursuant to section eleven C of chapter twenty-five A, section thirty-nine M of chapter thirty, or sections forty-four A through forty-four H, inclusive, of chapter one hundred and forty-nine, which is for amount or estimated amount greater than one hundred thousand dollars.

(3) "Records" means books of original entry, accounts, checks, bank statements and all other banking documents, correspondence, memoranda, invoices, computer printouts, tapes, discs, papers and other documents or transcribed information of any type, whether expressed in ordinary or machine language.

(4) "Independent Certified Public Accountant" means a person duly registered in good standing and entitled to practice as a certified public accountant under the laws of the place of his residence or principal office and who is in fact independent. In determining whether an accountant is independent with respect to a particular person, appropriate consideration should be given to all relationships between the accountant and that person or any affiliate thereof.

Determination of an accountant's independence shall not be confined to the relationships existing in connection with the filing of reports with the awarding authority.

(5) "Audit," when used in regard to financial statements, means an examination of records by an independent certified public accountant in accordance with generally accepted accounting principles and auditing standards for the purpose of expressing a *certified* opinion thereon, or, in the alternative, a qualified opinion or a declination to express an opinion for stated reasons.

(6) "Accountant's Report," when used in regard to financial statements, means a document in which an independent certified public accountant indicates the scope of the audit which he has made and sets forth his opinion regarding the financial statements taken as a whole with a listing of noted exceptions and qualifications, or an assertion to the effect that an overall opinion cannot be expressed. When an overall opinion cannot be expressed the reason therefor shall be stated. An accountant's report shall include as a part thereof a signed statement by the responsible corporate officer attesting that management has fully disclosed all material facts to the independent certified public accountant, and that the audited financial statement is a true and complete statement of the financial condition of the contractor.

(7) "Management," when used herein, means the chief executive officers, partners, principals or other person or persons primarily responsible for the financial and operational policies and practices of the contractor.

(8) Accounting terms, unless otherwise defined herein, shall have a meaning in accordance with generally accepted accounting principles and auditing standards.

(b) Subsection (a)(2) hereof notwithstanding, every agreement or contract awarded or executed pursuant to sections thirty-eight A 1/2 to thirty-eight O, inclusive, of chapter seven, or eleven C of chapter twenty-five A, and pursuant to section thirty-nine M of chapter thirty or to section forty-four A through H, inclusive, of chapter one hundred and forty-nine, shall provide that:

(1) The contractor shall make, and keep for at least six years after final payment, books, records, and accounts which in reasonable detail accurately and fairly reflect the transactions and dispositions of the contractor, and

(2) until the expiration of six years after final payment, the office of inspector general, and the commissioner of capital asset management and maintenance shall have the right to examine any books, documents, papers or records of the contractor or of his subcontractors that directly pertain to, and involve transactions relating to, the contractor or his subcontractors, and

(3) if the agreement is a contract as defined herein, the contractor shall describe any change in the method of maintaining records or recording transactions which materially affect any statements filed with the awarding authority, including in his description the date of the change and reasons therefor, and shall accompany said description with a letter from the contractor's independent certified public accountant approving or otherwise commenting on the changes, and

(4) if the agreement is a contract as defined herein, the contractor has filed a statement of management on internal accounting controls as set forth in paragraph (c) below prior to the execution of the contract, and

(5) if the agreement is a contract as defined herein, the contractor has filed prior to the execution of the contracts and will continue to file annually, an audited financial statement for the most recent completed fiscal year as set forth in paragraph (d) below.

(c) Every contractor awarded a contract shall file with the awarding authority a statement of management as to whether the system of internal accounting controls of the contractor and subsidiaries reasonably assures that:

(1) transactions are executed in accordance with management's general and specific authorization;

(2) transactions are recorded as necessary:

i. to permit preparation of financial statements in conformity with generally accepted accounting principles, and

ii. to maintain accountability for assets;

(3) access to assets is permitted only in accordance with management's general or specific authorization; and

(4) the recorded accountability for assets is compared with the existing assets at reasonable intervals and appropriate action was taken with respect to any difference.

Every contractor awarded a contract shall also file with the awarding authority a statement prepared and signed by an independent certified public accountant, stating that he has examined the statement of management on internal accounting controls, and expressing an opinion as to:

(1) whether the representations of management in response to this paragraph, and paragraph (b) above are consistent with the result of management's evaluation of the system of internal accounting controls; and

(2) whether such representations of management are, in addition, reasonable with respect to transactions and assets in amounts which would be material when measured in relation to the applicant's financial statements.

(d) Every contractor awarded a contract by the commonwealth or by any political subdivision thereof shall annually file with the commissioner of capital asset management and maintenance during the term of the contract a financial statement prepared by an independent certified public accountant on the basis of an audit by such accountant. The final statement filed shall include the date of final payment. All statements shall be accompanied by an accountant's report. Such statements shall be made available to the awarding authority upon request.

(e) The office of inspector general, the commissioner for capital asset management and maintenance and any other awarding authority shall enforce the provisions of this section. The commissioner of capital asset management and maintenance may after providing an opportunity for the inspector general and other interested parties to comment, promulgate pursuant to the provisions of chapter thirty A such rules, regulations and guidelines as are necessary to effectuate the purposes of this section. Such rules, regulations and guidelines may be applicable to all awarding authorities. A contractor's failure to satisfy any of the requirements of this section may be grounds for debarment pursuant to section forty-four C of chapter one hundred and forty-nine.

(f) Records and statements required to be made, kept or filed under the provisions of this section shall not be public records as defined in section seven of chapter four and shall not be open to public inspection; provided, however, that such records and statements shall be made available pursuant to the provisions of clause (2) of paragraph (b)."

Section 39S. CONTRACTS FOR CONSTRUCTION; REQUIREMENTS.

“(a) As used in this section the word "person" shall mean any natural person, joint venture, partnership corporation or other business or legal entity. Any person submitting a bid for, or signing a contract to work on, the construction, reconstruction, alteration, remodeling or repair of any public work by the commonwealth, or political subdivision thereof, or by any county, city, town, district, or housing authority, and estimated by the awarding authority to cost more than \$10,000, and any person submitting a bid for, or signing a contract to work on, the construction, reconstruction, installation, demolition, maintenance or repair of any building by a public agency, estimated to cost more than \$10,000, shall certify on the bid, or contract, under penalties of perjury, as follows:

(1) That he is able to furnish labor that can work in harmony with all other elements of labor employed or to be employed in the work; (2) that all employees to be employed at the worksite will have successfully completed a course in construction safety and health approved by the United States Occupational Safety and Health Administration that is at least 10 hours in duration at the time the employee begins work and who shall furnish documentation of successful completion of said course with the first certified payroll report for each employee; and (3) that all employees to be employed in the work subject to this bid have successfully completed a course in construction safety and health approved by the United States Occupational Safety and Health Administration that is at least 10 hours in duration.

(b) Any employee found on a worksite subject to this section without documentation of successful completion of a course in construction safety and health approved by the United States Occupational Safety and Health Administration that is at least 10 hours in duration shall be subject to immediate removal.

(c) The attorney general, or his designee, shall have the power to enforce this section including the power to institute and prosecute proceedings in the superior court to restrain the award of contracts and the performance of contracts in all cases where, after investigation of the facts, he has made a finding that the award or performance has resulted in violation, directly or indirectly, of subsection (b), and he shall not be required to pay to the clerk of the court an entry fee in connection with the institution of the proceeding.”

Section 40. DISCHARGE OR RELEASE OF BONDS.

"Bonds given to the commonwealth, any county, city, town or political subdivision to secure the performance of contracts for the construction or repair of public buildings or other public works may be discharged or released by the awarding authority, upon such terms as it deems expedient, after the expiration of one year from the time of completion, subject to section thirty-nine K, of the work contracted to be done; provided that no claim filed under said bond is pending, and provided further, that no such bonds shall be discharged or released prior to the expiration of all special guarantees provided for in the contract unless new bonds in substitution therefor specifically relating to the unexpired guarantees shall be taken."

ATTENTION IS DIRECTED TO THE FOLLOWING SECTIONS OF CHAPTER 82 (THE LAYING OUT, ALTERATION, RELOCATION AND DISCONTINUANCE OF PUBLIC WAYS, AND SPECIFIC REPAIRS THEREON) OF THE GENERAL LAWS OF MASSACHUSETTS AS AMENDED TO DATE.

Section 40. DEFINITIONS APPLICABLE TO SECTIONS 40A TO 40E.

"The following words, as used in this section and sections 40A to 40E, inclusive, shall have the following meanings:

"Company", natural gas pipeline company, petroleum or petroleum products pipeline company, public utility company, cable television company, municipal traffic signal department, and municipal utility company or department that supply gas, electricity, telephone, communication or cable television services or private water companies within the city or town where such excavation is to be made.

"Description of excavation location", such description shall include the name of the city or town, street, way, or route number where appropriate, the name of the streets at the nearest intersection to the excavation, the number of the buildings closest to the excavation or any other description, including landmarks, utility pole numbers or other information which will accurately define the location of the excavation.

"Emergency", a condition in which the safety of the public is in imminent danger, such as a threat to life or health or where immediate correction is required to maintain or restore essential public utility service.

"Excavation", an operation for the purpose of movement or removal of earth, rock or the materials in the ground including, but not limited to, digging, blasting, augering, backfilling, test boring, drilling, pile driving, grading, plowing in, hammering, pulling in, jacking in, trenching, tunneling and demolition of structures.

"Excavator", any entity including, but not limited to, a person, partnership, joint venture, trust, corporation, association, public utility, company or state or local government body which performs excavation operations.

"Marking standards", the methods by which a company designates its facilities in accordance with standards established by the Common Ground Alliance and the American Public Works Association.

"Non-mechanical means", excavation using any device or tool manipulated by human power, including air vacuum, air blowing or similar methods of excavation designed to minimize direct contact with utilities.

"Premark", to delineate the general scope of the excavation or boring on the paved surface of the ground using white paint, or stakes or other suitable white markings on nonpaved surfaces. No premarking shall be acceptable if such

marks can reasonably interfere with traffic or pedestrian control or are misleading to the general public. Premarking shall not be required of any continuous excavation that is over 500 feet in length.

"Professional land surveyor", a professional land surveyor as defined in section 81D of chapter 112.

"Safety zone", a zone designated on the surface by the use of standard color-coded markings which contains the width of the facilities plus not more than 18 inches on each side.

"Standard color-coded markings", red - electric power lines, cables, conduit or light cables; yellow - gas, oil, street petroleum, or other gaseous materials; orange - communications cables or conduit, alarm or signal lines; blue - water, irrigation and slurry lines; green - sewer and drain lines; white - premark of proposed excavation.

"System", the underground plant damage prevention system as defined in section 76D of chapter 164."

Section 40A. EXCAVATIONS; NOTICE.

"No excavator installing a new facility or an addition to an existing facility or the relay or repair of an existing facility shall, except in an emergency, make an excavation, in any public or private way, any company right-of-way or easement or any public or privately owned land or way, unless at least 72 hours, exclusive of Saturdays, Sundays and legal holidays but not more than 30 days before the proposed excavation is to be made, such excavator has premarked not more than 500 feet of the proposed excavation and given an initial notice to the system. Such initial notice shall set forth a description of the excavation location in the manner as herein defined. In addition, such initial notice shall indicate whether any such excavation will involve blasting and, if so, the date and the location at which such blasting is to occur.

Any professional land surveyor working on a preliminary design for a new facility or renovation where excavation is necessary shall: (i) Premark the proposed excavation; and (ii) provide initial notice to the system.

The notice requirements shall be waived in an emergency as defined herein; provided, however, that before such excavation begins or during a life-threatening emergency, notification shall be given to the system and the initial point of boring or excavation shall be premarked. The excavator shall ensure that the underground facilities of the utilities in the area of such excavation shall not be damaged or jeopardized.

In no event shall any excavation by blasting take place unless notice thereof, either in the initial notice or a subsequent notice accurately specifying the date and location of such blasting shall have been given and received at least 72 hours in advance, except in the case of an unanticipated obstruction requiring blasting when such notice shall be not less than four hours prior to such blasting. If any such notice cannot be given as aforesaid because of an emergency requiring blasting, it shall be given as soon as may be practicable but before any explosives are discharged."

Section 40B. DESIGNATION OF LOCATION OF UNDERGROUND FACILITIES.

"Within 72 hours, exclusive of Saturdays, Sundays and legal holidays, from the time the initial notice is received by the system or at such time as the company and the excavator or professional land surveyor agree, such company shall respond to the initial notice or subsequent notice by designating the location of the underground facilities within 15 feet in any direction of the premarking so that the existing facilities are to be found within a safety zone. Such safety zone shall be so designated by the use of standard color-coded markings. The providing of such designation by the company shall constitute prima facie evidence of an exercise of reasonable precaution by the company as required by this section; provided, however, that in the event that the excavator or professional land surveyor has given notice as aforesaid at a location at which because of the length of excavation the company cannot reasonably designate the entire location of its facilities within such 72 hour period, then such excavator or professional land surveyor shall identify for the company that portion of the excavation which is to be first made and the company shall designate the location of its facilities in such portion within 72 hours and shall designate the location of its facilities in the remaining portion of the location within a reasonable time thereafter. When an emergency notification has been given to the system, the company shall make every attempt to designate its facilities as promptly as possible. A company shall conduct periodic audits to ensure: (i) the accuracy of the designated location and marking of its facilities; and (ii) its adherence to marking standards."

Section 40C. EXCAVATOR'S RESPONSIBILITY TO MAINTAIN DESIGNATION MARKINGS; DAMAGE CAUSED BY EXCAVATOR.

“After a company has designated the location of its facilities at the location in accordance with section 40B, the excavator shall be responsible for maintaining the designation markings at such locations, unless such excavator requests remarking at the location due to the obliteration, destruction or other removal of such markings. The company shall then remark such location within 24 hours following receipt of such request.

When excavating in close proximity to the underground facilities of any company when such facilities are to be exposed, non-mechanical means shall be employed, as necessary, to avoid damage in locating such facility and any further excavation shall be performed employing reasonable precautions to avoid damage to any underground facilities including, but not limited to, any substantial weakening of structural or lateral support of such facilities, penetration or destruction of any pipe, main, wire or conduit or the protective coating thereof, or damage to any pipe, main, wire or conduit.

If any damage to such pipe, main, wire or conduit or its protective coating occurs, the company shall be notified immediately by the excavator responsible for causing such damage.

The making of an excavation without providing the notice required by section 40A with respect to any proposed excavation which results in any damage to a pipe, main, wire or conduit, or its protective coating, shall be prima facie evidence in any legal or administrative proceeding that such damage was caused by the negligence of such person.”

Section 40D. LOCAL LAWS REQUIRING EXCAVATION PERMITS; PUBLIC WAYS.

“Nothing in this section shall affect or impair local ordinances or by-laws requiring a permit to be obtained before excavation in a public way or on private property; but notwithstanding any general or special law, ordinance or by-law to the contrary, to the extent that any permit issued under the provisions of the state building code or state fire code requires excavation by an excavator on a public way or on private property, the permit shall not be valid unless the excavator notifies the system as required pursuant to sections 40 and 40A, before the commencement of the excavation, and has complied with the permitting requirements of chapter 82A.”

Section 40E. VIOLATIONS OF SECS. 40A TO 40E; PUNISHMENT.

“Any person or company found by the department of public utilities, after a hearing, to have violated any provision of sections 40A to 40E, inclusive, shall be fined \$1000 for the first offense and not less than \$5,000 nor more than \$10,000 for any subsequent offense within 12 consecutive months as set forth by the rules of said department; provided, however, that nothing herein shall be construed to require forfeiture of any penal sum by a state or local government body for violation of section 40A or 40C; and provided, further, that nothing herein shall be construed to require the forfeiture of any penal sum by a residential property owner for the failure to premark for an excavation on such person's residential property. The department of public utilities may require any person or company not in compliance with sections 40A to 40E, inclusive, to complete a “Dig Safe” training program in lieu of a fine for a first offense.”

ATTENTION IS DIRECTED TO THE FOLLOWING SECTIONS OF CHAPTER 30 (AN ACT MOBILIZING ECONOMIC RECOVERY IN THE COMMONWEALTH) OF THE ACTS OF 2009.

Section 33.

“(a) Notwithstanding any general or special law to the contrary, the following requirements shall apply to any public works project funded by the American Recovery and Reinvestment Act of 2009 where the amount of construction costs under any contract awarded is likely to exceed \$1,000,000. For the purposes of this section, “public works” shall mean building or work the construction of which is carried on by authority of the commonwealth, or by a county, town, authority or district, or with funds of a federal agency or the commonwealth or a county, city, town, authority or district to serve the interest of the general public, regardless of whether title thereof is in the commonwealth or in a county, city, town, authority or district; provided, however, that for the purposes of this definition, “construction” shall have the meaning provided in section 27D of chapter 149 of the General Laws.

(b) For any public works project subject to subsection (a), the specifications set forth in any request for responses shall include a requirement that, on a per project basis, not less than 20 per cent of the total hours of employees receiving an hourly wage who are directly employed on the site of the project, employed by the contractor or a subcontractor and subject to the prevailing wage, shall be performed by apprentices in bona fide apprentice training programs as provided in sections 11H and 11I of chapter 23 of the General Laws which are approved by the division of apprentice training in the executive office of labor and workforce development.

(c) During the performance of a public works project subject to subsections (a) and (b), the contractor shall submit periodic reports to the awarding authority with records indicating the total hours worked by all journeymen and apprentices in positions subject to the apprentice requirement. In any instance in which the apprentice hours do not constitute 5 per cent of the total hours of employees subject to the apprentice requirement, the contractor shall submit a plan to the awarding authority describing how the contractor shall comply with the apprentice requirement.

(d) The attorney general shall have all the necessary powers to require compliance with the requirements of subsections (a), (b) and (c) therewith, including the power to institute and prosecute proceedings in the superior court to restrain the award of contracts and the performance of contracts. Prior to award of the contract, an awarding authority may petition the attorney general for approval to adjust the requirements set forth in said subsections (a), (b) and (c). The attorney general may adjust these requirements only if he determines that compliance with these requirements is not feasible or if application of the requirements would be preempted by federal law.

(e) An awarding authority serving a low-income population may require additional specifications that address the needs of its clients including, but not limited to, preferential hiring for residents of public housing authorities for available apprenticeship positions.

(f) Subject to appropriation, the division of apprentice training shall enhance its outreach efforts to underserved populations in order to increase and diversify the number of apprentices in the commonwealth.”

Section 39.

“Any entity located in the commonwealth that receives federal funds through the American Recovery and Reinvestment Act of 2009 shall provide information as directed by the secretary of administration and finance regarding the use of the funds. The required information shall include, but not be limited to, the reporting information required by the federal government and any other information deemed necessary by the secretary to administer the American Recovery and Reinvestment Act of 2009 responsibly, efficiently and transparently. To the extent possible, the secretary shall work to streamline the reporting of this information, minimize duplication of data entry by recipients and ensure data consistency. The secretary may issue regulations to effectuate this reporting requirement.”

Section 40.

“Employers and hiring agents on all projects funded in whole or in part by the American Recovery and Reinvestment Act of 2009 shall post notices of available employment opportunities to the commonwealth’s job bank or the one-stop career centers closest to where the projects shall be located. The postings shall contain such information as directed by the secretary of labor and workforce development. The secretary may issue regulations to effectuate this job posting requirement.”

END OF SECTION

SECTION 00 83 00

ATTACHMENT C

NOT USED

SECTION 00 83 00

ATTACHMENT D

CHANGE ORDERS

ATTACHMENT D

CHANGE ORDERS

Policy:

This section supplements Article 11, Changes to the Contract, in the General Conditions and Supplementary Conditions.

All change order requests submitted to the Engineer for review and processing must include calculation sheets similar to the example provided herein (Appendix A) and all other supporting documentation necessary for evaluation. Failure to comply with these instructions will result in delays in processing the change order.

In order to avoid possible delays with approval of change orders, at the beginning of the project and as circumstances warrant, the Contractor shall submit a list of construction equipment, identifying major pieces of equipment to be utilized on the project. The list shall include the Contractor's designation, if any, the manufacturer, model, year of manufacture, serial number, size and horsepower of equipment. The Contractor shall also provide for approval a proposed bluebook equipment rental rate development that separately lists for each piece of equipment the monthly rental rate, area adjustment factor, depreciation factor, estimated operating cost per hour and total hourly rate. In the event the Contractor fails or is unable to provide appropriate rate information the Engineer may develop equipment rental rates for use on change orders.

Payment of Change Orders:

Payment of all change orders shall be in accordance with the relevant provisions of Massachusetts General Laws, Chapter 30, Section 39G for non-building construction and Section 39K for building construction as amended from time to time.

Payment of change orders shall be made in accordance with one of the following three methods:

- A. Existing unit prices as set forth in the contract; or
- B. Agreed upon lump sum or unit prices; or
- C. Time and materials

A. Payment for work for which there is a unit price in the contract:

Where the contract contains a unit price for work and the Engineer orders a change for work of the same kind as other work contained in the contract and is performed under similar physical conditions, the Contractor shall accept full and final payment at the contract unit price(s) for the acceptable quantities. Under certain circumstances, the unit

prices may be subject to revaluation and adjustment. See Article 13 in the Supplementary Conditions.

B. Payment for work or materials for which no price is contained in the contract:

If the Engineer directs, the Contractor shall submit promptly in writing to the Engineer an offer to do the required work on a lump sum or unit price basis, as specified by the Engineer. The stated price, either lump sum or unit price, shall be divided so as to show that it is the sum of:

1. The estimated cost of Labor, plus
2. Direct Labor Cost, plus
3. Material and Freight Costs, plus
4. Equipment Costs, plus
5. An amount not to exceed 15% of the sum of items 1 through 4 for overhead and profit, plus (if applicable),
6. In the case of work done by a subcontractor an amount not to exceed 5%, for the general contractor of the sum of the cost (not including subcontractor's overhead and profit) of items 1 through 4 for his overhead and profit (less, if applicable),
7. Credits for work deleted from the contract, including actual costs of the deleted work plus the percentage of overhead, profit, bonds and insurance attributable to such credit amount.

C. Payment for work on a time and materials basis:

Unless an agreed lump sum and/or unit price is obtained as noted above and is so stated in the change price, the Contractor shall accept as full payment for which no agreement is contained in contract, an amount equal to:

1. The estimated cost of Labor, plus
2. The Direct Labor Costs, plus
3. Equipment Costs, plus
4. Material and Freight Costs, plus
5. An amount not to exceed 15% of the sum of items 1 through 4 for overhead and profit, plus, if applicable,
6. In the case of work done by a subcontractor an amount not to exceed 5%, for the general contractor of the sum of the cost (not including subcontractor's overhead and profit) of items 1 through 4 for his overhead and profit (less, if applicable),
7. Credit for work deleted from the Contract, including actual costs of the deleted work plus the percentage of overhead, profit, bonds and insurance attributable to such credit amount.

Explanation of items 1 through 7 as outlined in "B" and "C" above:

1. Labor - Only those workers employed on the project who are doing the extra work, including the foreman in charge, are allowable. General foremen, superintendents, or other supervisory personnel are considered to be included in the overhead markup as provided in items 5 and/or 6. Hourly labor rates in excess of those as listed in the contract wage rates require documentation. As a minimum, an explanation and the appropriate copy of the certified payroll are required.
2. Direct Labor Costs - These costs are limited to those which are required in the contract document. Coverage in excess of the contract provisions, secured by the contractor/subcontractor(s) at his option, are ineligible. The following list of typical direct labor charges is provided for your assistance and is in no way intended to be complete or all encompassing:

Workman's Compensation

Federal/State: Social Security Tax and Unemployment Tax;

Health, Welfare and Pension Benefits; (this cost is included in the wage rates appearing in the Attachment A Massachusetts Wage Rates.

Liability insurance:	Bodily injury; excess umbrella; property damage; public liability
Blasters insurance:	If applied to any required direct labor costs
Builders risk insurance:	If applied to any required direct labor costs
Experience modification insurance:	If applied to any required direct labor costs
Surcharges:	If applied to any required direct labor costs

Following award and prior to execution of a construction contract, the Contractor and filed subbidders (where applicable) shall submit for review by the Owner, documentation to establish the markup percentage(s).

The documented direct labor markup for this contract may be adjusted on an annual basis as measured from the date the contract is executed. The contract agreement will provide for the establishment of the Direct Labor Cost percentage.

3. Material and Freight - Only those materials required as a result of the change order and reasonable freight charges for delivery of same are allowable.
4. Equipment - Only the equipment required as a result of the change order is allowable. Equipment rental rates shall be governed by the current EquipmentWatch, division of

Intertec Publishing [Formerly Nielson/Dataquest] Rental Rate Bluebook for Construction Equipment (the "Bluebook"). In determining the rental rate, the following shall apply:

- a. For equipment already on the project - the monthly prorated rental rate by the hourly use shall be applicable;
- b. For equipment not on the project the daily rate, the weekly rate, or monthly rate will prevail, whichever will prove to be most cost effective. Small tools and manual equipment are examples of costs not allowable under this item. These costs are considered to be included in the overhead markup as provided in items 5 and/or 6.

(1 Month (Normal Use) = 176 hours)

- 5.& 6. Overhead and Profit - All other costs not previously mentioned are considered to be included in this item, be it for the general contractor or subcontractor(s).
7. Credits - Work deleted, material and equipment removed from the contract, stored and/or returned shall be credited to the cost of the change order, less documented costs.

This change order will be prepared in such manner as to clearly separate Eligible and Ineligible Costs (as applicable to state-funded projects).

The Contractor shall furnish itemized statements of the cost of the work ordered and shall give the Engineer access to all accounts, bills and vouchers relating thereto; and unless the Contractor shall furnish such itemized statements, and access to all accounts, bills and vouchers, he shall not be entitled to payment for any items of extra work for which such information is sought by the Engineer.

Appendix A
Example Calculation Sheet

1. Labor

Foreman	10 hours @	\$10.00/hour	\$100.00
Engineer	10 hours @	8.80/hour	85.00
Operator	10 hours @	9.50/hour	95.00
Laborers	24 hours @	7.00/hour	<u>168.00</u>
			\$448.00

2. Direct Labor Cost (use the agreed upon Direct Labor Cost)

*(30)% of \$448.

*(used for example purposes only) \$ 134.00

3. Materials & Freight

150 l.f. of 12" pipe @ \$2.00/l.f.	\$ 300.00
15 v.f. precast SMH	1,700.00
Freight (slip# ___ enclosed)	<u>25.00</u>
	\$2,025.00

4. Equipment

EXAMPLE

1 Backhoe	10 hours @	\$ 80.00/hour	\$ 800.00
1 Truck-crane	10 hours @	100.00/hour	<u>1000.00</u>
			\$1800.00

TOTAL (items 1 through 4): \$4,407.00

5. (20%) markup for Overhead, Profit

(20%) of \$4,407 \$ 881.00

6. (7½ %) markup on subcontractor's cost for general contractor (if subcontractor is involved)

(7½ %) of \$4,407 \$ 331.00

7. Credits (deductibles) -\$323.00

TOTAL COST: \$5,296.00

Reminder: Provide support documentation as necessary i.e. vouchers, correspondence, calculation, photographs, reports.

END OF SECTION

SECTION 00 84 00

ARTICLE 16, TITLE 1, OF
TOWN OF ARLINGTON BY-LAWS

BY-LAWS OF THE TOWN OF ARLINGTON
TITLE I
ARTICLE 16

CONSTRUCTION PROJECTS

Section 1. Women Work Force Participation

Any Town board or official in charge of a construction or reconstruction project is required to include in the contract documents the following:

- A. Contractor shall maintain as a goal on this project a not less than five percent ratio of women work force to total project hours in both the general contract and each individual filed sub-bid contract, if applicable. The preceding sentence shall be included in all construction contracts whether entered into by the Town pursuant to the provisions of M.G.L. c. 149 or M.G. L. c 30, §39M et. seq. provided however, that if entered into under Chapter 30 same shall not be deemed to apply where the projected bid price as determined by the Director of Public Works is not likely to exceed \$200,000.
- B. A Labor Scheduling Table which will be used as a tool for achieving a range of women work force participation for the entire project in both the general contract and each individual filed sub-bid contract.

Section 2. Equal Opportunity Goal Compliance

Any Town board or official in charge of a construction or reconstruction project is required to include in the contract documents the following:

- A. Before starting work, the contractors (includes the general contractor, for itself and its subcontractors, as well as all filed sub-bid contractors, if applicable) will submit plans for achievement of the equal opportunity goals of the contract. All contractors will be required to make a good faith effort to achieve these goals. The plan will indicate if the contractors expect to achieve the requirements during the first quarter. If there are reasons why the contractors do not expect to achieve the requirements during the first quarter year of the contract construction phase, then the contractors shall provide a plan calculated to address, to the extent reasonably possibly, these obstacles to a good faith effort to achieve such goals.
- B. Not more than ten days following the end of each work quarter, the contractors will report on the achievement of the goals, detailing the good faith efforts that have been made and will continue to be made and any other appropriate efforts not yet undertaken.
- C. All reports will be signed by an officer or principal of the company who has the authority to contractually obligate the company.

Section 3. Recruitment and Training

Any board, officer, committee, or other agency of the Town, which acts on behalf of the Town in making or supervising any contract, in an amount exceeding the sum of \$100,000 for the purchase of goods or services or for the construction, renovation, or repair of buildings or other improvement of real estate, may make arrangements with contractors and other interested agencies for special programs of recruitment and training in connection with the work to be performed on such contract, with the objective of promoting equal employment opportunity for members of minority groups protected by the fair employment laws of the Commonwealth and the United States. Any board, officer, committee or other Town agency may expend Town funds in carrying them out provided that appropriations specifically designed for such purposes have been voted by the Town Meeting.

APPENDIX A
MassDOT Price Adjustment Clauses

DOCUMENT 00811
SPECIAL PROVISIONS
MONTHLY PRICE ADJUSTMENT FOR HOT MIX ASPHALT (HMA) MIXTURES
ENGLISH AND METRIC UNITS
Revised: 07/08/2016

This provision applies to all projects using greater than 100 tons (91 megagrams) of hot mix asphalt (HMA) mixtures containing liquid asphalt cement as stipulated in the Notice to Contractors section of the bid documents.

Price Adjustments will be based on the variance in price, for the liquid asphalt component only, between the Base Price and the Period Price. They shall not include transportation or other charges. Price Adjustments will occur on a monthly basis.

Base Price

The Base Price of liquid asphalt on a project as listed in the Notice to Contractors section of the bid documents is a fixed price determined by the Department at the time of the bid using the same method as the determination of the Period Price detailed below. The Base Price shall be used in all bids.

Period Price

The Period Price is the price of liquid asphalt for each monthly period as determined by the Department using the average selling price per standard ton of PG64-28 paving grade (primary binder classification) asphalt, FOB manufacturer's terminal, as listed under the "East Coast Market - New England, Boston, Massachusetts area" section of the Poten & Partners, Inc. "Asphalt Weekly Monitor". This average selling price is listed in the issue having a publication date of the second Friday of the month and will be posted as the Period Price for that month. The Department will post this Period Price on its website at <http://www.mhd.state.ma.us/> within two (2) business days following its receipt of the relevant issue of the "Asphalt Weekly Monitor". Poten and Partners has granted the Department the right to publish this specific asphalt price information sourced from the Asphalt Weekly Monitor. This method of period price determination was formerly called the New Asphalt Period Price Method. Separate website postings using both the New Asphalt Period Price Method and the Old Asphalt Period Price Method were discontinued after June 2013.

Price Adjustment Determination, Calculation and Payment

The Contract Price of the HMA mixture will be paid under the respective item in the Contract. Price Adjustments, as herein provided, either upwards or downwards, will be made after the work has been performed using the monthly period price for the month during which the work was performed.

Price Adjustments will be paid only if the variance from the Base Price is 5% or more for a monthly period. The complete adjustment will be paid in all cases with no deduction of the 5% from either upward or downward adjustments.

The Price Adjustment applies only to the actual virgin liquid asphalt content in the mixture placed on the job in accordance with the Standard Specifications for Highways and Bridges, Division III, Section M3.11.03.

Price Adjustments will be separate payment items. The pay item numbers are 999.401 for a positive price adjustment (a payment) and 999.402 for a negative price adjustment (a deduction). Price Adjustments will be calculated using the following equation:

$$\text{Price Adjustment} = \text{Tons of HMA Placed} \times \text{Liquid Asphalt Content \%} \times \text{RAP Factor} \times (\text{Period Price} - \text{Base Price})$$

No Price Adjustment will be allowed beyond the Completion Date of this Contract, unless there is a Department-approved extension of time.

***** END OF DOCUMENT *****

DOCUMENT 00812

SPECIAL PROVISIONS
MONTHLY PRICE ADJUSTMENT FOR DIESEL FUEL AND GASOLINE –
ENGLISH UNITS

Revised: 01/26/2009

This monthly fuel price adjustment is inserted in this contract because the national and worldwide energy situation has made the future cost of fuel unpredictable. This adjustment will provide for either additional compensation to the Contractor or repayment to the Commonwealth, depending on an increase or decrease in the average price of diesel fuel or gasoline.

This adjustment will be based on fuel usage factors for various items of work developed by the Highway Research Board in Circular 158, dated July 1974. These factors will be multiplied by the quantities of work done in each item during each monthly period and further multiplied by the variance in price from the Base Price to the Period Price.

The Base Price of Diesel Fuel and Gasoline will be the price as indicated in the Department's web site (www.mhd.state.ma.us) for the month in which the contract was bid, which includes State Tax.

The Period Price will be the average of prices charged to the State, including State Tax for the bulk purchases made during each month.

This adjustment will be effected only if the variance from the Base Price is 5% or more for a monthly period. The complete adjustment will be paid in all cases with no deduction of the 5% from either upward or downward adjustments.

No adjustment will be paid for work done beyond the extended completion date of any contract.

Any adjustment (increase or decrease) to estimated quantities made to each item at the time of final payment will have the fuel price adjustment figured at the average period price for the entire term of the project for the difference of quantity.

The fuel price adjustment will apply only to the following items of work at the fuel factors shown:

ITEMS COVERED	FUEL FACTORS	
	Diesel	Gasoline
Excavation: and Borrow Work: Items 120, 120.1, 121, 123, 124, 125, 127, 129.3, 140, 140.1, 141, 142, 143, 144., 150, 150.1, 151 and 151.1 (Both Factors used)	0.29 Gallons / CY.	0.15 Gallons / CY
Surfacing Work: All Items containing Hot Mix Asphalt	2.90 Gallons / Ton	Does Not Apply

***** END OF DOCUMENT *****

DOCUMENT 00813

SPECIAL PROVISIONS

PRICE ADJUSTMENTS FOR STRUCTURAL STEEL AND REINFORCING STEEL

March 16, 2023

This special provision applies to all projects containing the use of structural steel and/or reinforcing steel as specified elsewhere in the Contract work. It applies to all structural steel and all reinforcing steel, as defined below, on the project. Compliance with this provision is mandatory, i.e., there are no “opt-in” or “opt-out” clauses. Price adjustments will be handled as described below and shall only apply to unfabricated reinforcing steel bars and unfabricated structural steel material, consisting of rolled shapes, plate steel, sheet piling, pipe piles, steel castings and steel forgings.

Price adjustments will be variances between Base Prices and Period Prices. Base Prices and Period Prices are defined below.

Price adjustments will only be made if the variances between Base Prices and Period Prices are 5% or more. A variance can result in the Period Price being either higher or lower than the Base Price. Once the 5% threshold has been achieved, the adjustment will apply to the full variance between the Base Price and the Period Price.

Price adjustments will be calculated by multiplying the number of pounds of unfabricated structural steel material or unfabricated reinforcing steel bars on a project by the index factor calculated as shown below under Example of a Period Price Calculation.

Price adjustments will *not* include guardrail panels or the costs of shop drawing preparation, handling, fabrication, coatings, transportation, storage, installation, profit, overhead, fuel costs, fuel surcharges, or other such charges not related to the cost of the unfabricated structural steel and unfabricated reinforcing steel.

The weight of steel subject to a price adjustment shall not exceed the final shipping weight of the fabricated part by more than 10%.

Base Prices and Period Prices are defined as follows:

Base Prices of unfabricated structural steel and unfabricated reinforcing steel on a project are fixed prices determined by the Department and found in the table below. While it is the intention of the Department to make this table comprehensive, some of a project’s unfabricated structural steel and/or unfabricated reinforcing steel may be inadvertently omitted. Should this occur, the Contractor shall bring the omission to the Department’s attention so that a contract alteration may be processed that adds the missing steel to the table and its price adjustments to the Contract.

The Base Price Date is the month and year of the most recent finalized period price index at the time that MassDOT opened bids for the project. The Base Price Index for this contract is the Steel PPI listed in the Notice to Contractors.

Period Prices of unfabricated structural steel and unfabricated reinforcing steel on a project are variable prices that have been calculated using the Period Price Date and an index of steel prices to adjust the Base Price.

The Period Price Date is the date the steel was delivered to the fabricator as evidenced by an official bill of lading submitted to the Department containing a description of the shipped materials, weights of the shipped materials and the date of shipment. This date is used to select the Period Price Index.

The index used for the calculation of Period Prices is the U.S. Department of Labor Bureau of Labor Statistics Producer Price Index (PPI) Series ID WPU101702 (Not Seasonally Adjusted, Group: Metals and Metal Products, Item: Semi-finished Steel Mill Products.) As this index is subject to revision for a period of up to four (4) months after its original publication, no price adjustments will be made until the index for the period is finalized, i.e., the index is no longer suffixed with a “(P)”.

DOCUMENT 00814

SPECIAL PROVISIONS
PRICE ADJUSTMENT FOR PORTLAND CEMENT CONCRETE MIXES

January 12, 2009

This provision applies to all projects using greater than 100 Cubic Yards (76 Cubic Meters) of Portland cement concrete containing Portland cement as stipulated in the Notice to Contractors section of the Bid Documents. This Price Adjustment will occur on a monthly basis.

The Price Adjustment will be based on the variance in price for the Portland cement component only from the Base Price to the Period Price. It shall not include transportation or other charges.

The Base Price of Portland cement on a project is a fixed price determined at the time of bid by the Department by using the same method as for the determination of the Period Price (see below) and found in the Notice to Contractors.

The Period Price of Portland cement will be determined by using the latest published price, in dollars per ton (U.S.), for Portland cement (Type I) quoted for Boston, U.S.A. in the **Construction Economics** section of *ENR Engineering News-Record* magazine or at the ENR website <http://www.enr.com> under **Construction Economics**. The Period Price will be posted on the MassHighway website the Wednesday immediately following the publishing of the monthly price in ENR, which is normally the first week of the month.

The Contract Price of the Portland cement concrete mix will be paid under the respective item in the Contract. The price adjustment, as herein provided, upwards or downwards, will be made after the work has been performed, using the monthly period price for the month during which the work was performed.

The price adjustment applies only to the actual Portland cement content in the mix placed on the job in accordance with the Standard Specifications for Highways and Bridges, Division III, Section M4.02.01. No adjustments will be made for any cement replacement materials such as fly ash or ground granulated blast furnace slag.

The Price Adjustment will be a separate payment item. It will be determined by multiplying the number of cubic yards of Portland cement concrete placed during each monthly period times the Portland cement content percentage times the variance in price between the Base Price and Period Price of Portland cement.

This Price Adjustment will be paid only if the variance from the Base Price is 5% or more for a monthly period. The complete adjustment will be paid in all cases with no deduction of the 5% from either upward or downward adjustments.

No Price Adjustment will be allowed beyond the Completion Date of this Contract, unless there is a Department-approved extension of time.

*

END OF DOCUMENT

Period Prices are determined as follows:

Period Price = Base Price X Index Factor

Index Factor = Period Price Index / Base Price Index

Example of a Period Price Calculation:

Calculate the Period Price for December 2009 using a Base Price from March 2009 of \$0.82/Pound for 1,000 Pounds of ASTM A709 (AASHTO M270) Grade A36 Structural Steel Plate.

The Period Price Date is December 2009. From the PPI website*, the Period Price Index = 218.0.

The Base Price Date is March 2009. From the PPI website*, the Base Price Index = 229.4.

Index Factor = Period Price Index / Base Price Index = 218.0 / 229.4 = 0.950

Period Price = Base Price X Index Factor = \$0.82/Pound X 0.950 = \$0.78/Pound

Since \$0.82 - \$0.78 = \$0.04 is less than 5% of \$0.82, no price adjustment is required.

If the \$0.04 difference shown above was greater than 5% of the Base Price, then the price adjustment would be 1,000 Pounds X \$0.04/Pound = \$40.00. Since the Period Price of \$0.78/Pound is less than the Base Price of \$0.82/Pound, indicating a drop in the price of steel between the bid and the delivery of material, a credit of \$40.00 would be owed to MassDOT. When the Period Price is higher than the Base Price, the price adjustment is owed to the Contractor.

* To access the PPI website and obtain a Base Price Index or a Period Price Index, go to

<http://data.bls.gov/cgi-bin/srgate>

End of example.

The Contractor will be paid for unfabricated structural steel and unfabricated reinforcing steel under the respective contract pay items for all components constructed of either structural steel or reinforced Portland cement concrete under their respective Contract Pay Items.

Price adjustments, as herein provided for, will be paid separately as follows:

Structural Steel

Pay Item Number 999.449 for positive (+) pay adjustments (payments to the Contractor)

Pay Item Number 999.457 for negative (-) pay adjustments (credits to MassDOT Highway Division)

Reinforcing Steel

Pay Item Number 999.466 for positive (+) pay adjustments (payments to the Contractor)

Pay Item Number 999.467 for negative (-) pay adjustments (credits to MassDOT Highway Division)

No price adjustment will be made for price changes after the Contract Completion Date, unless the MassDOT Highway Division has approved an extension of Contract Time for the Contract.

BASE PRICES

The Department's table of Base Prices specified above is updated monthly. The current table is attached to this Document 00813 and included in each new contract.

TECHNICAL SPECIFICATIONS

**SPECIAL PROVISIONS
ROADWAY REHABILITATION
Arlington, MA
Bid# 24-34**

SCOPE OF WORK

The work under this contract consists of furnishing all necessary labor, materials, equipment and services to complete roadway improvements. Work includes, but is not limited to mobilization; pavement reclamation, cold plane milling; excavating, grading and/or relocating sections of existing roadway; excavation; installing, adjusting, and/or remodeling drainage, sewer & water structures, and utility structures; installation of, removal of, and/or removal and resetting of concrete and/or bituminous concrete sidewalks, bituminous concrete berm, and/or granite curbing, and other associated and appurtenant work associated with the Town of Arlington Annual Road Rehabilitation Project including; line painting; crack sealing; landscaping; and other miscellaneous and incidental work items necessary to complete the work.

Work may include all or some of the above at locations to be identified over the course of the contract.

All materials and work under this contract shall be in conformance with the latest Editions of:

- **Massachusetts Department of Transportation (MassDOT) Standard Specifications for Highways and Bridges, Supplemental Specifications, and Standard Special Provisions**
- **Construction and Traffic Standard Details**
- **The Manual on Uniform Traffic Control Devices**
- **Massachusetts Architectural Access Board's (MAAB) Rules and Regulations**
- **The American Water Works Association's Standard for the Installation of Ductile-Iron Water Mains and Their Appurtenances**
- **The Standard Drawings for Signs and Support**

and the following Special Provisions contained herein and attached MHD Constructions Details for Curb Ramps and Bituminous Concrete

GENERAL ELIGIBILITY CRITERIA

Bidders must be pre-qualified by the Massachusetts Department of Transportation (MassDOT) to bid on this project and must provide a MassDOT Certificate of Approval in order to obtain this specific Invitation for Bids.

WORK SCHEDULE

No work that will disrupt travel on the existing roadways (lane closures, lane shifts, trenching, etc.) shall be done from 7:00AM to 9:00AM and from 4:00PM to 6:00PM.

Work on this project is restricted to a normal eight-hour day, five-day week, with the Contractor and all Subcontractors working on the same shift.

No work shall be done on this Contract on Saturdays, Sundays or holidays or on the day before or the day after a long weekend that involves a holiday without prior approval by the Engineer.

SEQUENCE OF WORK

The contractor shall coordinate with the Town Department of Public Works prior to the start of any construction to outline their work plan, including where work will start and to where work will sequentially progress.

MAINTENANCE OF TRAFFIC

During construction, the Contractor shall maintain two way traffic at all times. The Contractor shall make every effort to maintain access to all drives at all times. If access to any drives cannot be maintained, the Contractor shall notify the Engineer and persons affected, in writing, at least one (1) week in advance of the planned discontinuance. In any case, the access shall not be discontinued for more than two (2) consecutive days without obtaining the written authorization of the Engineer.

A minimum of 24-hours prior to commencing work, the permit applicant shall contact the Town of Arlington Police Department to determine if a Police Safety Detail will be required for the proposed work.

The use of a Police Safety Detail does not eliminate the need for proper warning signs and traffic control devices during the course of construction.

It shall be the sole responsibility of the contractor to provide & employ appropriate construction signage and barriers/cones/etc as needed. All signs and devices shall be in accordance with the Manual on Uniform Traffic Control Devices for Streets and Highways and all applicable MassDOT Standards/Requirements. Additional signage and devices shall be provided and installed as deemed necessary by the Department of Public Works and/or Police Department for the safe and efficient performance of the work and the safety of the traveling public.

During the entire course of work, the applicant and/or owner shall be responsible to properly delineate & protect the job site in accordance with current MUTCD Standards to the full satisfaction of the Arlington Police Department. Failure or inability to provide appropriate devices & signage may result in work being suspended at the discretion of the Town of Arlington.

Reflective barrels, construction signage and other devices deemed necessary by the Engineer shall be utilized to direct vehicular and pedestrian traffic safely through the construction zone. All work left unattended shall be plated or ramped and suitable work safety devices and methods shall be utilized as necessary. All sidewalks and ramps shall be barricaded with reflective barrels and warning flagging where surfaces are impaired. If determined, signs may be needed on sidewalks to direct pedestrians around construction zone. Temporary stop and one-way signs may be needed until permanent signs are installed.

All signs, barricades, and barrels shall be in accordance with materials Specification M9.30.2 of the Department's "Standard Specifications for Highways and Bridges, latest Edition.

PROSECUTION OF WORK AND PROVISIONS FOR TRAVEL

The Contractor shall give notice in writing to the Engineer at least seven days in advance of beginning any work affecting the maintenance of traffic where work affects the street in use by the public.

Before starting any work under this Contract, the Contractor shall submit his schedule of operations as provided herein.

The Contractor must prosecute the work efficiently and with the least possible delay.

The Contractor shall provide safe and convenient means of access to all buildings of property along the line of work at all times, coordinate the scheduling of safety and traffic details with the Arlington Police Department, and provide notification to the Arlington Department of Public Works and direct abutters at least one (1) business day prior to commencement of work adjacent to said abutter property.

PROVISIONS FOR ACCESS AT ALL LOCATIONS

The Contractor shall cooperate with the various utility companies and provide access through a worksite if required for their work in connection with this project.

All permanent and temporary surfaces open for traffic during construction shall be maintained by the Contractor, as directed, in accordance with the provisions of herein.

THE TOWN WILL NOT ACCEPT ANY MATERIALS DELIVERED TO ANY PROJECT IN MOTOR VEHICLES OR SEMI-TRAILER UNITS THAT EXCEED THE LEGAL MAXIMUM GROSS WEIGHT ALLOWED FOR THE PARTICULAR CLASS, AS SPECIFIED IN SECTION 19 A OF CHAPTER 90 OF THE GENERAL LAWS OF MASSACHUSETTS.

PUBLIC SAFETY AND CONVENIENCE

The Contractor shall provide necessary access for fire apparatus and other emergency vehicles through the work zones to abutting properties at all times.

Sweeping and cleaning of surfaces beyond the limits of the project required to clean up material caused by spillage or vehicular tracking during the various phases of the work shall be considered as incidental to the work being performed under the Contract and there will be no additional compensation.

CLEAN UP

The work site and adjacent areas affected thereby shall at all times present a neat and orderly appearance.

The Contractor must employ at all times during the progress of their work, adequate cleanup measures and safety precautions to prevent injuries to persons or damage to property. The Contractor shall clean up, at least daily, all refuse, rubbish, scrap and surplus material, debris and unneeded construction equipment resulting from the construction operations and sweep the area if necessary or directed by the Engineer.

Suitable materials, equipment, and methods shall be used for such restoration. The restoration of existing property or structures shall be done as promptly as practicable as work progresses and shall not be left until the end of the Contract period.

Where material or debris has washed or flowed into or been placed in existing watercourses, ditches, gutters, drains, pipes structures, or elsewhere during the course of the Contractor's operations, such material or debris shall be entirely removed by the contractor and satisfactorily disposed of during the progress of the work, and the ditches, channels, drains, pipes, structures, etc., shall, upon completion of the work, be left in a clean and neat condition.

Upon written notification by the Engineer, the Contractor shall within 24 hours clean up those areas, which in the Engineer's opinion are in violation of this section and the above referenced sections of the specifications. If in the opinion of the Engineer, the referenced areas are not satisfactorily cleaned up, all other work on the project shall stop until the cleanup is satisfactory.

The Contractor shall restore or replace, when and as directed by the Town, any public or private property damaged by their work, equipment, or employees, to a condition at least equal to that existing immediately prior to the beginning of operations. To this end, the Contractor shall repair as required all necessary highway, driveway, walk, and landscaping work damaged or disrupted during the course of the Contractor's work.

Before acceptance of work by the Owner, the Contractor shall perform a final cleanup to bring the construction site to its original or specified condition. Unless otherwise explicitly directed or permitted in writing, the Contractor shall as part of this final cleanup, tear down and remove all temporary buildings and structures built by them; shall remove all temporary works, tools, and

machinery or other construction equipment furnished by them; shall remove, acceptably disinfect, and cover all organic matter and material containing organic matter in, under, and around sanitary facilities and other buildings used by them; shall remove all rubbish from any grounds which they have occupied; and shall leave the roads and all parts of the premises and adjacent property affected by their operations in a neat and satisfactory condition. Before acceptance, the Engineer shall approve the condition of the site.

WORKSITE DUST CONTROL

The worksite shall be kept free of dust and other sediments to the greatest extent practical. In an effort to accomplish this, on a weekly basis at minimum, the entire site shall be swept by a vehicle-mounted, mechanical sweeper. Further, on days in which work is completed within any designated resource area, the work area within this buffer zone shall be swept on a daily basis. All sweepings and material collected from these required cleanings shall be properly disposed of at the full cost and responsibility of the Contractor.

Between sweepings, the Contractor shall use calcium chloride as needed to control dust on-site. Calcium chloride shall be applied when ordered by the Engineer and only in areas which will not be adversely affected by the application. Calcium chloride shall be uniformly applied at the rate of 1 ½ pounds per square yard or at any other rate as directed by the Engineer. Application shall be by means of a mechanical spreader or other approved methods. The number and frequency of applications shall be determined by the Engineer. The application of calcium chloride shall not be permitted in designated environmental resource areas or buffer zones without the prior consent of the Town of Arlington Conservation Commission.

Calcium chloride used on-site shall conform to the requirements of AASHTO-M144, Type I or Type II and Specification for Calcium Chloride, ASTM D98. The calcium chloride shall be packaged in moisture proof bags or in airtight drums with the manufacturer, name of product, net weight, and percentage of calcium chloride guaranteed by the manufacturer legibly marked on each container. Calcium chloride failing to meet the requirements of the aforementioned specifications or that which has become caked or sticky in shipment, may be rejected by the Engineer.

MANAGEMENT OF DEBRIS, REFUSE, AND GARBAGE

Debris, refuse, and other garbage of any kind shall not be permitted to accumulate at any of the proposed work locations or storage areas. Debris, refuse, scrap, garbage, etc. shall be removed from the project location sites on a daily basis by the Contractor and disposed of in accordance with all Local, State, and Federal regulations. Removal and disposal of all debris, refuse, garbage, etc. shall be completed at the full cost & responsibility of the Contractor. Should the

improper handling of debris, refuse, or other garbage result in pest and/or vermin infestations, the Contractor shall provide pest/vermin control services as directed by the Town. Pest/vermin control services shall be provided at no additional cost to the Town.

SANITARY PROVISIONS

The Contractor shall provide adequate sanitary facilities and maintain in a neat and sanitary condition such accommodations for the use of their employees as may be necessary to comply with the requirements of the State Department of Public Health, local health officials, and other authorities having jurisdiction. Every precaution shall be taken to prevent contamination or pollution of the ground at the site, or of any material or equipment which is to be incorporated in or used in the construction of any work under this contract.

Sanitary facilities shall be available when the first employees arrive on the site of the work, shall be properly secluded from public observation, and shall be provided and maintained during the progress of the work in suitable numbers and at such points and in such manner as may be required. Sanitary facilities shall be removed, and the surrounding areas properly cleaned and disinfected, upon completion of the work.

The Contractor shall maintain the sanitary facilities in a satisfactory and sanitary condition at all times and shall enforce their use. The Contractor shall rigorously prohibit the committing of nuisances by employees on the site of the work, on the lands of the Owner, or on adjacent property.

DIRECTION AND OVERSIGHT OF THE WORK

All supervision and direction of the Work, all authorizations of variance from specifications, and all field decisions of the Town shall be communicated to the Contractor by the DPW Agent, also referred to as the “Town”.

COMMUNITY NOTIFICATION, COORDINATION, AND PARKING RESTRICTIONS

Contractor shall be responsible for posting Notices to residents affected by proposed construction throughout the course of the project. At minimum, Notices will be required for the following: project introduction (type of work, anticipated start of work and duration, etc.); emergency contact information; road closures; utility shutdowns; emergency conditions; and progress updates, as applicable. Additional Notices may be required by the Engineering Division at no additional cost to the Town. Unless otherwise noted or agreed upon in writing, Notices shall be prepared by the Contractor, submitted to the Engineering Division for review and approval, and distributed by the Contractor upon approval by the Engineering Division. In instances where

standard notices have already been developed by the Engineering Division, these notices may be provided by the Engineering Division and distributed by the Contractor.

The contractor shall coordinate work plans with all necessary Town Departments (e.g. Water/Sewer Division, Police Department, Fire Department, etc.) and other organizations (e.g. MBTA for road closures with bus routes, MWRA, DigSafe, utility companies, etc.) affected by construction and as directed by the Engineering Division.

The Contractor shall provide emergency contact information for residents, Town departments, and other applicable organizations prior to the start of construction.

The Contractor shall post "No Parking" signs in areas of proposed work a minimum of 48 hours prior to construction as directed by the Engineering Division. The Contractor may obtain standard no parking signs from the Engineering Division upon which they shall clearly note the date and time of restrictions. Should the Contractor decide to provide their own signs, they shall first be provided for review and approval by the Engineering Division. Contractor is responsible for maintaining and replacing signs in place and/or modifying date and time restrictions as necessary.

PROTECTION OF TREES

The attention of the Contractor is directed to the fact that there may be existing Public Shade Trees located in the town of Arlington. Public Shade Trees are protected under Massachusetts General Law Chapter 87. No Public Shade Tree shall be cut, pruned, trimmed, marked, posted, removed, or altered, including roots, in any such manner, without the written permission of the Town of Arlington Tree Warden. Extreme caution shall be taken by the Contractor to assure that these trees are not harmed during construction operations.

The Contractor shall notify the Engineer and the Town of Arlington Tree Warden in advance of initiating operations in close proximity to any tree.

The Contractor shall also inform the Tree Warden if the limbs of any trees hanging over the work area may impede progress or be at risk of damage from construction equipment. The Contractor shall coordinate proper tree protection or pruning methods with the Tree Warden

The Contractor shall be liable for the replacement of any trees adversely impacted by their work activities, as determined by the Tree Warden.

NOTICE TO OWNERS OF UTILITIES

Written notice shall be given by the Contractor to all public service corporations or municipal and State officials owning or having charge of publicly or privately owned utilities at least one

week in advance of the commencement of operations that will affect the utilities. The Contractor shall, at the same time, file a copy of such notice with the Engineer.

Before commencing work on service connections, the Contractor shall be responsible for contacting the Electric Company servicing the area to obtain construction requirements, standards, and to give adequate notice of commencement of work. The Contractor's attention is further directed to the requirements of Work in the Immediate Vicinity of Certain Underground Structures and Poles herein included in these Special Provisions.

The following are the names of owners and representatives of the principal utilities affected, but completeness of this list is not guaranteed by the Town:

TOWN OF ARLINGTON

Department of Public Works
DPW Operations
51 Grove St
Arlington, MA 02476

Dan Warren
781-316-3314

Engineering Department
51 Grove Street
Arlington, MA 02476

Bill Copithorne
781-645-9618

ELECTRIC

Eversource Electrical
50 Duchaine Blvd.
New Bedford, MA 02745

Richard Comeau
Phone: (508) 441-5881
Richard.comeau@eversource.com

TELEPHONE

Verizon
385 Myles Standish Blvd.
Taunton, MA 02780

Karen Mealey
Phone: (774) 409-3160
karen.m.mealey@verizon.com

GAS

National Grid Gas
40 Sylvan Road
Waltham, MA 02451

Melissa Owens
Phone: (781) 907-2845
Melissa.owens@nationalgrid.com

The Contractor shall make his own investigation to assure that no damage to existing structures, drainage lines, traffic signal conduits, or any other utilities, occurs as a result of construction operations.

The Contractor shall notify "Mass. DIG SAFE" and procure a DIG SAFE number of each location prior to disturbing ground in any way.

"DIG-SAFE" Call Center: Telephone 1-888-344-7233

PROTECTION OF UTILITIES AND PROPERTY

The Contractor, in constructing or installing facilities alongside or near sewers, drains, water or gas pipes, electric or telephone conduits, poles, sidewalks, walls, vaults or other structures, shall sustain them securely in place. The Contractor shall coordinate with the officers and agents of the various utility companies and municipal departments to assure that the services of these structures are maintained. The Contractor shall also be responsible for the repair or replacement, at no additional cost to the Owner (Town of Arlington), of any damage to such structures caused by construction operations. The Contractor is responsible for leaving them in the same condition as they existed prior to commencement of the work. In case of damage to utilities, the Contractor shall promptly notify the utility owner and shall, if requested by the Engineer, furnish labor and equipment to work temporarily under the utility owner's direction. Pipes or other structures damaged by the operation of the Contractor may be repaired by the Town or by the utility owner which suffers the loss. The cost of such repairs shall be borne by the Contractor, without compensation therefor.

If, during construction, there is an existing utility and/or structure found to conflict with the proposed work under this Contract, the Contractor shall protect and maintain the services to the utilities and structures. The Engineer will identify the utilities to be relocated or other such activities deemed suitable for resolution as soon as possible.

If live service connections are to be interrupted by excavations of any kind, the Contractor shall not break the service until new services are provided. Abandoned services shall be plugged off or otherwise made secure.

Full compensation for furnishing all labor, materials, tools, equipment and incidentals for doing all the work involved in protecting or repairing property as specified in this Section shall be considered included in the prices paid for the various Contract items of work, and no additional compensation will be allowed therefor.

TEMPORARY ACCESS TO AREA MERCHANTS AND BUSINESSES

Access to all properties must be maintained at all times.

The Contractor shall provide safe and ready means of ingress and egress to all public and private and professional offices and any other businesses or residences in the project area, both day and night, for the duration of the project.

WORK DONE BY OTHERS

Relocation and/or resetting to new grades of all private utilities, including utility poles, made necessary by the construction of this project will be accomplished by the respective utility companies.

DRAINAGE

The Contractor shall maintain the drainage system on the project to provide continuous drainage of travel lanes and construction areas.

No separate payment will be made for the maintenance of the existing drainage system or for plugging of pipes, but all costs in connection therewith shall be included in the unit prices bid for the various Contract items.

SAWCUTS

Existing pavements to remain shall be sawcut at all openings for utility work, for new or reset curb and at all joints with proposed full-depth hot mix asphalt pavement, as directed by the Engineer.

PROPERTY BOUNDS

The Contractor shall exercise due care when working around all property bounds which are to remain. Should any damage to a bound result from the actions of the Contractor, the bound shall be replaced and/or realigned by the Contractor as directed by the Engineer at no cost to the Owner.

RESTRICTED MATERIALS

All new construction materials shall be asbestos-free including any roofing felt, adhesives, waterproofing materials, grout, or sealer that may be used in project construction.

All yellow temporary and permanent pavement markings, including all pavement marking tape, placed as part of this project shall be lead-free.

ARCHITECTURAL ACCESS BOARD TOLERANCES

The Contractor is hereby notified that they are ultimately responsible for constructing all project elements in strict compliance with the current AAB/ADA rules, regulations and standards.

All construction elements in this project associated with sidewalks, walkways, wheelchair ramps and curb cuts are controlled by 521CMR – Rules and Regulations of the Architectural Access Board.

The AAB Rules and Regulations specify maximum slopes and minimum dimensions required for construction acceptance. There is no tolerance allowed for slopes greater than the maximum slope or for dimensions less than the minimum dimensions.

All wheelchair ramp joints and transition sections which define grade changes shall be formed, staked and checked prior to placing cement concrete. All grade changes are to be made at joints.

DIVISION I - GENERAL REQUIREMENTS AND COVENANTS

SUBSECTION 5.07 CONSTRUCTION (STAKES) STAKINGS

Replace this entire subsection with the following:

Where necessary, the Town will furnish general benchmark control for the project.

The Contractor, at their own expense, will furnish the following survey work:

- A. Establishment of base lines or centerlines of construction for main roadways, ramp service roads, side streets and other major dry land items. Reproduction of base lines and centerlines, or lines offset to them when roadway cuts and fills have been completed. Levels may be taken on the points marking these lines.
- B. Original grade stakes at 50' intervals giving finished grades as per plan.
- C. Preliminary and final surveys of pits (if borrow is paid by pit measure) and dredging areas, semifinal cross sections on ledge, peat, loam, etc.
- D. Control for structures, which shall consist of range lines on centerline of bearings or centerline of piers, face of abutments and wingwalls, horizontal and vertical control for beam seats, along with benchmarks close to structures for vertical control. Structures shall include but shall not be limited to bridges, culverts, dams, buildings and walls.
- E. Control for alignment of curbing or edging on ramps and at other complicated locations.
- F. Bound points and sideline stakes.
- G. All necessary stakes for pipes and head walls, and establish all catch basin and manhole locations as to line and grade.

The Contractor shall employ qualified engineering personnel to insure adequate control and shall furnish and set stakes of the quality used by the Department for control staking. Rough stakes may be used to denote top and bottom of slopes, edge of pavement, gutter lines, etc.

The Contractor shall furnish and set, at his/her own expense, all stakes (such as batter boards, slope stakes, pins, offset stakes, etc.) required for the construction operations and he shall be solely responsible for the accuracy of the line and grade of all features of his/her work.

The Contractor shall be held responsible for the preservation of all stakes and marks. If any of such stakes or marks are disturbed or destroyed the cost of replacing them shall be at the contractor's expense.

DIVISION II – CONSTRUCTION DETAILS

SECTION 101 CLEARING AND GRUBBING

Insert the following:

INDIVIDUAL TREE PROTECTION

The work under this item shall conform to the relevant provisions of Sections 101, 644 and 771 and the following:

The purpose of this item is to prevent damage to branches, stems and root systems of existing individual trees as well as shrubs and other quality vegetation to remain, and to ensure their survival. To the extent possible, to avoid soil compaction within the root zone, construction activities including, but not limited to, vehicle movement, excavation, embankment, staging and storage of materials or equipment shall not occur underneath the canopy (drip line) of trees to remain. Where these activities will occur within 10 feet of the canopy of trees or where directed, the Contractor shall take the appropriate protective measures specified herein.

Individual Tree Protection, Item 102.51, shall be used when construction activities are likely to occur within the canopy of individual trees or where there may be any risk of damage to trees.

The Contractor shall be solely responsible for judging the full extent of the work requirements, including, but not necessarily limited to any equipment and materials necessary for providing tree protection.

As part of the contract, the Contractor shall retain the services of a certified arborist, who shall make recommendations as to the specific appropriate treatment of trees within or near the work zone.

Prior to any construction activities, the Contractor and Arborist shall walk the site with the Engineer and Town Tree Warden to identify which trees will require protection and to determine approved measures. The Arborist shall make recommendations as to appropriate methods to trees. The Engineer will have final decision as to trees and methods.

The Contractor is responsible for the protection of all existing trees and plants within and immediately adjacent to the construction area that are not designated to be removed for the length of the construction period.

SUBMITTALS

As part of the contract, the Contractor shall provide to the Engineer one (1) copy American National Standards Institute (ANSI) Standard Z-133.1 and A300 Standard Practices for Tree, Shrub, and Other Woody Plant Maintenance, Part 1: Pruning. These references shall be kept by the Engineer at his office for the length of the Contract.

Prior to start of work, the Contractor shall submit to the Engineer the name and certification number of the Massachusetts Certified Arborist referenced herein. Cost for Certified Arborist for all activities pertaining to this Item shall be incidental to this item.

MATERIALS

Fence and temporary fence posts shall be subject to the approval of the Engineer.

Fencing for individual plants shall be polyethylene fencing or chain link fence (new or used).

Staking for individual tree protection fencing shall be steel posts or 2x4 lumber as directed and approved by the Engineer.

Wood chips shall conform to provisions of Wood Chip Mulch under Materials Section M6.04.3.

Trunk protection shall be 2x4 cladding, at least 8 feet in length, clad together with wire. Alternative materials shall be at the approval of the Engineer. Alternative materials shall provide adequate protection from anticipated construction activities and shall not injure or scar trunk. Trunk protection shall include burlap to separate trunk cladding from bark.

Temporary Tree Protection Fence shall be brightly colored polypropylene barricade or wooden snow fencing for tree protection or safety fencing as directed by the Engineer. Fencing shall be a minimum of 4 feet high and supported by steel or hardwood stakes spaced at a maximum of 8 feet on center or by other means acceptable to the Engineer. Fencing shall be materials and fastenings sufficient enough to provide sturdy and highly visible separation of the construction activities from the trees and existing plantings to be preserved

As part of the contract, the Contractor shall provide water for maintaining plants in the construction area that will have exposed root systems for any period during construction.

CONSTRUCTION METHODS

For individual tree protection, the Contractor shall set posts and fencing at the limits of the tree canopy. Where construction activities closer to the trees is unavoidable, the Contractor shall tie branches out of the way and place wood chips to a depth of 6 inches on the ground to protect the root systems. The Contractor shall wrap the area of the trunk of the tree with burlap prior to armoring with 2x4 cladding. Cladding for tree trunks shall extend from the base of the tree to at least 8 feet from the base.

To the extent possible, temporary landscaped fencing shall be installed at the limit of tree canopy and shall be staked and maintained vertical for the length of the contract.

Where excavation within canopy is unavoidable, the Contractor shall use equipment and methods that shall minimize damage to the tree roots, per recommendations of the Certified Arborist. Such methods may require root pruning prior to, as well as during, any excavation activities.

All fencing, trunk protection, branch protection, and woodchips shall be maintained throughout the duration of the contract. Protective fencing shall be repaired, and woodchip mulch replaced as necessary during the duration of the contract at no additional cost.

CUTTING AND PRUNING

Some pruning of roots and branches may be a necessary part of construction. Pruning will be performed on the same side of the tree that roots have been severed.

The Contractor shall retain the services of a Massachusetts State Certified Arborist to oversee any cutting of limbs, stem or roots of existing trees. All cuts shall be clean and executed with an approved tool. Under no circumstances shall excavation in the tree protection area be made with mechanical equipment that might damage the existing root systems.

Any tree root area exposed by construction shall be covered and watered immediately. Exposed tree roots shall be protected by dampened burlap at all times until they can be covered with soil.

WATERING

Water each tree within the construction area where work is in progress twice per week until the surrounding soil of each tree is saturated for the duration of construction activities.

REMOVAL OF PROTECTION

After all other construction activities are complete, wood chips, temporary fencing, branch protection, and trunk protection materials shall be removed and disposed of off-site by the Contractor at no additional cost.

TREE DAMAGE

The Contractor shall be held responsible for the health and survival of the existing trees in the immediate vicinity of the construction area. Damage that, in the Engineer's opinion, can be remedied by corrective measures shall be repaired immediately. Broken limbs shall be pruned according to industry standards. Wounds shall not be painted. Trees or shrubs that are damaged irreparably shall, at the Engineer's discretion, be replaced. Cost of replacement trees shall be borne by the Contractor.

METHOD OF MEASUREMENT AND BASIS OF PAYMENT

Where the Engineer determines that an individual tree must be protected, these trees shall be protected and paid for under Item 102.51 ,Individual Tree Protection.

Payment under this item shall be scheduled throughout the length of contract: 30 percent of value shall be paid upon installation, 30 percent approximately halfway through the contract, and the remainder to be paid at the end of the contract after completion of construction operations that would disturb plants and after the protection materials have been removed and properly disposed of off-site by the Contractor.

Compensation for Individual Tree Protection will be paid for at the contract unit price per each under Item 102.51, which price shall include full compensation for all labor, equipment, materials, and incidentals for the satisfactory completion of the work, including the services of a certified arborist, water and fertilizer, and the subsequent removal and satisfactory disposal of the protective materials upon completion of the contract.

Submittal of arborist's report is incidental to and required for payment of these items.

Cost of wood chips, as required, shall be incidental to this item.

SECTION 120 EXCAVATION

SUBSECTION 120.26 UNCLASSIFIED EXCAVATION

Add the following at the end of the section:

The work shall include the removal and off-site disposal of materials, which are not paid for under a separate item, including, but not limited to, removal and disposal of existing pavement, existing curb, and existing sidewalk, as well as existing materials to be removed and reset or adjusted but which in the judgment of the Engineer are unsuitable for reuse in the proposed work and their disposal is not paid for under a separate item.

Unclassified excavation shall also include as incidental to the general work, the removal and disposal of structures, pipes, gate boxes, service boxes, fences, or other items not paid for separately within the contract.

SUBSECTION 120.66 ASPHALT PAVEMENT EXCAVATION BY COLD PLANER

Add the following to the end of the subsection: See also Appendix A

Keyways shall transition from a reveal of 1 1/2” to 0” and have a width varying between 4’ to 10’ as directed by the resident engineer. Keyways shall be cut after binder course is laid.

Excess scarified and reclaimed material will become the property of the contractor and will be disposed of off-site. The Contractor will be responsible for damage to existing castings resulting from his operation unless such castings (water gates e.g.) have previously been paved over and are therefore not visible on surface.

If milling operations result in a vertical edge > greater than 1 inch (1”) in the direction of travel, a suitable HMA “wedge” should be installed if it is to remain for a period of time more than 24 hours. All vertical edges in the direction of travel, including milled edges, cover/structures edges and any other impediments that may cause damage to vehicles shall be clearly marked with orange paint in conjunction with the installation of suitable signage indicating “Road Work Ahead”, “Raised Structures Ahead” or other suitable MUTCD approved signage.

SUBSECTION 120.82 PAYMENT ITEMS

Add the following payment item in numerical order:

ITEM 129.1	Asphalt Pavement Excavation by Cold Planer (Keyways)	Square Yard
ITEM 129.01	Asphalt Pavement Excavation by Cold Planer (9AM to 3PM)	Square Yard
ITEM 129.02	Asphalt Pavement Excavation by Cold Planer (4” Depth)	Square Yard

Insert the following new section in numerical order:

SECTION 130 STREET SWEEPING

DESCRIPTION

SUBSECTION 130.20 GENERAL

Street sweeping shall be by mechanical street sweeper vehicle to clear the paved surface of all debris, to the extent as determined by the Engineer.

CONSTRUCTION METHODS

SUBSECTION 130.60 GENERAL

The timing of the street sweeping operation should be such that the road remains sufficiently clean between the completion of the sweeping and the start of any reclamation and/or repaving. Should the Engineer decide that the road surface requires additional sweeping no additional compensation shall be offered the Contractor to complete this process.

No additional compensation will be allowed when street sweeping operations are used as a means of clearing off and/or exposing areas of pavement covered with vegetation or debris.

SUBSECTION 130.61 DISPOSAL

All material collected from the street sweeping process shall be disposed of by the contractor outside and away from the limits of the project with no additional measurement or payment to be made.

COMPENSATION

SUBSECTION 130.81 BASIS OF PAYMENT

There shall be no separate payment for street sweeping. Payment for such work shall be included in the various hot mix asphalt items.

SECTION 140 EXCAVATION FOR STRUCTURES

SUBSECTION 140.62 CLASS B ROCK EXCAVATION

Add the following at the end of this subsection:

The Contractor shall conduct his operations so that no disturbance or damage shall be done to utilities, wells, equipment, buildings, or structures, and shall be fully responsible for determining the methods and controls necessary to do so. If blasting is used for rock excavation, the following requirements shall be adhered to:

1. The Contractor shall conduct a preconstruction survey prior to the start of any test blasting or blasting. The Contractor shall engage the services of a recognized and acceptable vibration/blasting consultant and other experts, who shall have a minimum of 10 years experience in their specialty, to conduct a preconstruction survey.

The preconstruction survey shall be made of all properties, buildings, and other structures and utilities within 100 ft. of the centerline of the trench, where blasting is used. At a minimum, six 8 inch by 10 inch glossy color photographs shall be taken by a professional photographer at each

structure in the preconstruction survey area. Three copies of each photograph shall be submitted to the Engineer 21 days prior to the start of any blasting work.

2. Prior to production blasting, the Contractor shall employ an acceptable, independent, vibration/blasting consultant to conduct test blasting to develop control procedures for production blasting so that no disturbance or damage shall be done. The vibration/blasting consultant shall be a Registered Professional Engineer in the Commonwealth of Massachusetts and shall have a minimum of 10 years experience as a vibration/blasting consultant. The Contractor shall submit the name of the vibration/blasting consultant to the Engineer prior to starting the work.
3. Based on the results of the test blasting, the vibration/blasting consultant shall develop a suitable blasting program and distance-quantity of explosive tables for the production blasting. The blasting program and the distance-quantity tables shall be submitted to the Engineer 21 days prior to the commencement of production blasting. All production blasting operations shall be in accordance with the blasting program.
4. The vibration/blasting consultant shall also perform continuous monitoring of all blasting operations. Blasting shall be monitored with a minimum of two 3 component seismometers that record the entire particle velocity wave train and not just peak velocities. Accurate, legible seismometer records of all monitored blasts shall be obtained and one copy of all blast records shall be submitted to the Engineer within 7 days after blasting. Peak particle velocities exceeding 2-inch per second at a distance of 50-feet from the centerline of the trench will not be permitted.

If evidence of disturbance or damage to any utility, well, equipment, building, or structure is observed or reported to the Contractor, he shall immediately notify the Engineer, and all blasting operations shall be discontinued, and the Contractor's vibration/blasting consultant shall recommend revised blasting procedures. Blasting may then continue following revised blasting procedures.

The Contractor shall be fully responsible for the restoration or replacement of all utilities, wells, equipment, buildings, or structures damaged by his operations at no cost to the Owner.

A Town Fire Detail shall be present on site during all blasting operations, as well as any time explosives are on site, as stated in Subsection 850.38.

SUBSECTION 140.81 BASIS OF PAYMENT

Add the following at the end of the 11th paragraph of this subsection:

The minimum bid for Class B Rock Excavation shall be \$35.00 per cubic yard and shall be considered full compensation for all work associated with Class B Rock Excavation, including preconstruction survey and monitoring program, blasting, and all other work associated with the excavation and disposal of the rock.

SECTION 150 EMBANKMENT

SUBSECTION 150.64 BACKFILLING FOR STRUCTURES AND PIPES, (A. GENERAL)

Replace the 2nd sentence of this subsection with the following:

When suitable backfill material cannot be obtained from excavation, gravel borrow shall be used.

SUBSECTION 150.64 BACKFILLING FOR STRUCTURES AND PIPES, (C. PIPES)

Replace the last paragraph of this subsection with the following:

In all cases the filling material shall be thoroughly compacted by means of a mechanical compactor. In addition, compaction testing may be done by the Town on each 6-inch lift with a minimum compaction of 95% of dry soil density based on ASTM D1557 Modified Proctor Analysis. Said testing will be done by nuclear densometer in accordance with ASTM D2922.

The Town shall cover all costs associated with the actual testing of the material. No compensation shall be made for any delays due to compaction testing.

SUBSECTION 150.80 METHOD OF MEASUREMENT

Add the following after the 9th paragraph of this section:

Crushed Stone (¾") when used for pipe bedding shall be included in the item price for the associated pipe, with no separate measurement or payment.

Insert the following new section in numerical order:

SECTION 153 CONTROLLED DENSITY FILL

SUBSECTION 153.20 GENERAL

Excavatable Controlled Density Fill (CDF) shall be used as backfill material in utility trenches, abandoned structures and other locations as determined by the Engineer.

SUBSECTION 153.40 MATERIALS

Materials shall meet the requirements specified in the following subsection of Division III, Materials: Controlled Density Fill, Type 2E M4.08.0

SUBSECTION 153.60 CONSTRUCTION METHODS

Controlled Density Fill shall be placed in a manner such that no damage will occur to utility lines, pipes or structures. The material shall be placed so that no voids are left upon completion of the backfilling process.

SUBSECTION 153.80 METHOD OF MEASUREMENT

Controlled Density Fill shall be measured in place by the cubic yard.

SUBSECTION 153.81 BASIS OF PAYMENT

Payment for Controlled Density Fill will be paid for at the contract unit price per cubic yard. No additional compensation shall be offered for material placed beyond the limits of excavation as shown in the plans or as determined by the Engineer.

SUBSECTION 153.82 PAYMENT ITEMS

ITEM 153 Controlled Density Fill – Excavatable Cubic Yard

Insert the following new section in numerical order:

SECTION 187 REMOVAL AND DISPOSAL OF DRAINAGE STRUCTURE SEDIMENTS

SUBSECTION 187.20 GENERAL

The work under this item shall include removing the accumulated dirt, refuse, and other debris from existing drainage structures, including the gutter mouth of curb inlets, and disposing of materials removed. Identification of drainage structures requiring sediment removal shall be at the direction of the resident engineer.

SUBSECTION 187.60 CONSTRUCTION METHODS

The cast hood shall be removed from all catch basins so equipped, prior to cleaning.

Hydraulic lift trucks shall be used during drainage structure cleaning operations so that the material can be decanted at the site. After material from several drainage structures along the same system is loaded onto the truck, the truck should be elevated so any free flowing liquid may drain back into the drainage structure. Material must arrive at the facility sufficiently dry to pass the Paint Filter Liquids Test (or no liquid drips from it when a handful is taken and squeezed).

All material removed from drainage structures shall be properly handled and disposed of by the Contractor, and this must be done in accordance with all Massachusetts Department of Environmental Protection (DEP) Regulations, policies, and guidance. The responsibility for proper handling and disposal of this material shall be solely the Contractor's.

Material removed from the drainage structures shall be transported immediately to the place of disposal in machines or trucks that will not spill the material along the roadway. Any material falling onto the roadway shall be removed at the Contractor's own expense.

Catch basin cleanings are classified as solid waste by the DEP and may be disposed of at any landfill that is permitted by DEP to accept solid waste. Materials containing free-flowing liquids are prohibited from being accepted at landfills. The DEP encourages the beneficial reuse of this material whenever possible; however, use not in accordance with DEP determination, or disposal or use as fill in an unapproved location is not acceptable.

NOTE: It is anticipated that most, if not all, of the material will be landfilled, therefore the Contractor should be aware that many landfills may require testing and analysis of the material prior to accepting it for disposal at the facility. The Contractor should take this into consideration in preparing the bid.

SUBSECTION 187.80 METHOD OF MEASUREMENT

Material removed and that is to be transported to an approved facility, will be measured for payment in the hydraulic lift truck, after decanting.

SUBSECTION 187.81 BASIS OF PAYMENT

Excavated material will be paid for at the contract unit price per cubic yard for removal and disposal of drainage structure sediments, which price shall include the cost of removal, delivery and disposal at an approved landfill, disposal facility or recycling facility, the cost for approvals, permits, testing, transportation, and other incidental expenses.

SUBSECTION 187.82 PAYMENT ITEMS

ITEM 187.3 Removal and Disposal of Drainage Structure Sediments Cubic Yard

SECTION 201 BASINS, MANHOLES AND INLETS

SUBSECTION 201.40 GENERAL

Add the following at the end of this subsection:

Clay brick conforming to Section M4.05.2 of the Standard Specifications shall be used to adjust all manholes and catch basin frames and grates or covers to grade. For sewer manholes, Grade SS bricks shall be used for sewer inverts and shelves. Grade MS bricks shall be used for other locations.

Castings shall be as follows, or as directed by the Engineer:

1. Frames and Grates shall be Catalog #LF 245 as manufactured by E.L. LeBaron Foundry Co., 14 East Union St., Brockton, MA 02403, or approved equal.
2. Drain and sewer manhole frames and covers shall be Catalog #LK 110 as manufactured E.L. LeBaron Foundry Co., 14 East Union St., Brockton, MA 02403, or approved equal, with "DRAIN" or "SEWER" cast into cover as appropriate.
3. All Castings shall be Cast Iron minimum class 25, conforming to ASTM A48 (ASTM A48-76 for sewer), capable of withstanding AASHTO H-20 loading.

All exterior surfaces of manhole brickwork shall be plastered with cement mortar.

Leaching basins shall be precast concrete structures as approved by the Engineer.

SUBSECTION 201.60 GENERAL

Add the following at the end of this subsection:

Structures may be required to be built on (connected to) existing lines. Work may include, but is not limited to, excavation around existing pipe, removal/trimming existing pipe to inside face of structure, building new structure around existing pipes (including base and 4' sump), and backfilling/compacting around structure.

The limits of the excavation shall be sawcut or milled full depth through all existing pavement prior to any excavation for structure placement.

SUBSECTION 201.62 LAYING BRICKS AND BLOCKS

Add the following at the end of this subsection:

A minimum of 2 courses of brick shall be used to set frames on all manholes, catch basin and leaching basins.

SUBSECTION 201.63 PLACING CASTINGS

Add the following at the end of this subsection:

All three-flanged rectangular frames shall be placed as described above. The side of the casting without a flange shall be filled in with bricks and mortar or steel plates sufficient to cover any opening in the structure or as directed by the Engineer. Said work shall be considered incidental to Item 220, Drainage Structure Adjusted with no additional measurement or payment to be made.

Add the following new subsection:

SUBSECTION 201.66 LEACHING BASINS

Leaching basins shall be constructed with 4-foot sumps and shall be surrounded by 2 feet of crushed stone. Filter fabric shall line the entire excavation for the leaching basin up to the existing surface.

SUBSECTION 201.80 METHOD OF MEASUREMENT

Replace the first two paragraphs of this section with the following:

Measurement for catch basins, leaching basins, manholes and drop inlets shall be measured as complete units regardless of depth.

All cement blocks, filter fabric and stone associated with the construction of leaching basins shall be considered incidental to the cost of the leaching basin with no additional measurement or payment.

Sawcutting or milling of existing pavement to the excavation limits for structure placement shall be considered incidental to the cost of associated items, with no additional measurement or payment.

SUBSECTION 201.81 BASIS OF PAYMENT

Add the following at the end of this subsection:

All costs associated with construction of catch basins saddling existing drainage lines shall be included in the unit price per catch basin.

SECTION 230 CULVERTS, STORM DRAINS AND SEWER PIPES

SUBSECTION 230.60 CONSTRUCTION METHODS - GENERAL

Add the following at the end of this subsection:

For all pipes, including services, the limits of the trench shall be sawcut or milled full depth through all existing layers of pavement prior to any excavation for pipe placement.

Add the following new subsection:

SUBSECTION 230.65 UTILITY WARNING AND IDENTIFICATION TAPE

Buried Utility Warning and Identification Tape shall be placed at locations as directed by the Engineer. Said warning tape shall be made of plastic backed aluminum foil tape or detectable magnetic plastic tape with a minimum width of 3 inches. It shall be color coded and labeled continually along entire length of the tape in bold black letters for the appropriate utility and detectable by an electronic detection instrument. The markings on the tape should be permanent and unaffected by moisture or light.

Buried Utility Warning and Identification Tape shall be considered incidental to the work being done and no additional compensation will be offered for this item.

SUBSECTION 230.80 METHOD OF MEASUREMENT

Add the following at the end of this subsection:

The placement of pipe bedding shall be considered incidental to the placement of associated pipe, with no separate measurement or payment.

Sawcutting or milling of existing pavement to the excavation limits for pipe placement shall be considered incidental to the cost of associated items, with no additional measurement or payment.

SUBSECTION 230.81 BASIS OF PAYMENT

Revise 6th sentence to read as follows:

Backfill to replace material removed under Class B Trench Excavation for sewer or drain pipe shall be ¾" crushed stone for drainage as specified in Section 150.

SECTION 301 WATER SYSTEMS

SUBSECTION 301.60, PART F. REMOVAL OF CASTINGS

Insert the word "disposed," after the word "reset,"

Add this new subsection:

SUBSECTION 301.61 GAS GATES

It shall be the sole responsibility of the Contractor to coordinate with National Grid to have any and all gas gates adjusted to the proper grades or as directed by the Engineer. Unless otherwise directed by National Grid, it shall be the responsibility of National Grid to adjust said gates. In any case, however, no measurement or payment will be made for any gas gates adjusted by the Contractor.

SUBSECTION 301.80 METHOD OF MEASUREMENT

Add the following at the end of this subsection:

Measurement of water gate boxes adjusted shall include all risers as necessary, up to a length of 12 inches.

SUBSECTION 301.81 BASIS OF PAYMENT

Add the following at the end of this subsection:

All risers up to a length of 12 inches shall be considered incidental to the contract unit price for gate boxes adjusted, with no additional measurement or payment.

SECTION 402 DENSE GRADED CRUSHED STONE FOR SUB-BASE

SUBSECTION 402.20 GENERAL

Add the following:

Dense Graded Crushed Stone for Shoulders shall consist of crusher-run coarse aggregates of crushed stone or gravel and fine aggregates of natural sand or stone screenings uniformly pre-mixed and placed on the shoulders at locations directed by the Engineer.

SUBSECTION 402.61 SPREADING AND COMPACTING

Add the following at the end of this subsection:

The overall depth of the Gravel for Base Course layer shall be no less than 8 inches after compaction.

SUBSECTION 402.80 METHOD OF MEASUREMENT

Add the following at the end of this Subsection:

Dense Graded Crushed Stone for Shoulders shall be measured in place as directed by the Engineer, with no percentage added.

SUBSECTION 402.81 BASIS OF PAYMENT

Dense Graded Crushed Stone for Shoulders will be paid for at the contract unit price per cubic yard complete in place.

SUBSECTION 402.82 PAYMENT ITEMS

Add the following payment item in numerical order:

ITEM 402.12	Dense Graded Crushed Stone for Shoulders	Cubic Yard
-------------	--	------------

SECTION 403 RECLAIMED BASE COURSE AND/OR SUB-BASE

Replace the entire section with the following:

SUBSECTION 403.20 GENERAL

The work under this item shall conform to the relevant provisions of Section 403 of the Standard Specifications and the following:

The work shall include the pulverizing of the existing pavement, the blending of the pulverized material with the existing underlying base material, the spraying of liquid calcium chloride on the blended materials, the adding and the blending of additional granular material as needed to provide for a homogeneous base course meeting prescribed gradations, the grading and the compacting the blended material to the lines and grades as shown on the plans and as directed by the Engineer, and the application of a final spray coat of liquid calcium chloride to the finished base course.

The work shall also include screening or other approved methods to remove oversized stones and the addition and mixing of additional granular material and bitumen into the blended material as necessary to bring the final reclaimed base course material into conformance with the specified gradation.

SUBSECTION 403.40 MATERIALS

All reclaimed material shall conform to the requirements of Subsection M1.11.0 of Division 111, Materials.

Aggregate for Crushed Stone for Blending, used to correct gradation deficiencies shall conform to the requirements of Subsections M2.0 1.0 to M2.01.6 of Division III, Materials.

Aggregate for Dense Graded Crushed Stone for Sub-base shall conform to the requirements of Subsection M2.01.7 of Division 111, Materials.

The blended base course shall be thoroughly mixed to a uniform gradation. If the blended material does not conform to the specified gradation, the Contractor shall furnish and mix additional granular material into the blended material to bring it into conformance, as directed by the Engineer.

Sampling and Testing

The Contractor shall be responsible for all sampling, testing, and analysis of materials associated with this item of work for the purposes of determining the material's existing and finished properties and characteristics as they may pertain to the specifications stated for this item of work. The Contractor shall employ a certified soils testing lab, subject to the approval of the Engineer, to perform the sampling, testing, and analysis. The Engineer shall specify the location of all test pits – at a minimum spacing of 500 feet. The results of the analysis shall be submitted to the Engineer for review and approval prior to the commencement of the dependent, respective activity of work. Any gradation deficiencies in the sampled materials, as indicated by the test results, shall be corrected by blending the appropriate aggregate size(s) into the mixture.

SUBSECTION 403.60 CONSTRUCTION METHODS

Reclaiming operations shall not be permitted when the existing pavement or sub-base contains frost, when the sub-base is excessively wet as determined by the Engineer, nor when the air or surface temperature is below 40° F.

Reclaiming operations shall not commence before April 15 and shall terminate on or before October 15 unless otherwise approved in writing by the Engineer.

Prior to the start of reclaiming operations, the Contractor shall locate and protect existing drainage and utility structures and underground pipes, culverts, conduits and other appurtenances.

The limit of each sequence of the reclamation process shall be 1.0 miles full width or as directed by the Engineer in order that the placing of pavement structure, up to the binder course, will be completed before beginning the next sequence of roadway reclamation work.

The Contractor shall be responsible for all testing and sampling of reclaimed materials associated with this work as specified hereafter. A certified soil-testing laboratory, approved by the Engineer shall do all testing of material samples.

Equipment

The recycling equipment shall have a positive depth control to insure a uniform depth of processing. This equipment shall have the ability to process the complete design depth specified into a homogeneous mass. It shall also be capable of crushing all oversize material encountered except ledge, or boulders larger than 8 inches in diameter.

A minimum of fourteen (14) calendar days prior to the proposed start of work, the Contractor shall submit in writing to the Engineer for approval, a description of the specific equipment and construction methods to be used in performing the work. The Contractor will be required to demonstrate, to the Engineer, the ability of the work crew and equipment to produce reclaimed material conforming to specifications at a rate of production consistent with the time allowed under the Contract. A test section shall be constructed approximately 500 feet long and one lane wide, and be located within the project limits at a location determined by the Engineer. The forward speed and processing direction (e.g., up cutting vs. down cutting) of the recycling equipment shall be recorded during construction of the test section. Representative samples of the reclaimed material shall be taken from this test section by the Contractor for analysis as directed by the Engineer. Full-scale production will not be allowed to commence until the Engineer has reviewed the test results and gives written approval of the equipment and construction methods used in the construction of the test strip.

Failure to meet gradation requirements or an insufficient production rate may be considered cause for rejection of the equipment, the construction methods, or both. The Contractor must then submit, in writing, the proposed changes in equipment and/or construction methods and either construct another test section or reconstruct the original section, as determined by the Engineer. This procedure may be repeated until acceptable results are obtained, at no additional compensation.

Otherwise, failure to meet gradation requirements due to improper equipment or construction methods shall not constitute a reason for any additional compensation for the import and blending of any aggregate to meet the deficiencies.

Approval of equipment includes the speed and processing direction it was operated at during construction of the test section. Therefore, the same operating speed and processing direction must be maintained during normal production. Changes in the equipment's operating speed and/or processing direction may only be made with the Engineer's written approval.

At least one vibratory roller shall be used on each reclaimed surface, and shall have a compacting width of not less than 5 feet. Each roller shall have a gross mass of not less than 16 tons.

Approved equipment shall be maintained in satisfactory working condition at all times.

Access to Area Abutters

Access to abutting properties shall be maintained at all times in accordance with the Standard Specifications, and Special Provisions located in the forward sections of this document.

Coordination

The proposed drainage and other subsurface utility improvements shall be constructed prior to the pavement reclamation work. The Contractor shall excavate all trenches in such a way as to maintain the roadway pavement and base material separate from the underlying soils. The roadway pavement and base materials shall be placed on the top of the trench during backfilling operations in preparation for the reclamation process.

If the Engineer determines that unsuitable material has been placed in the upper portion of the trench within the proposed reclamation depth, the Contractor shall remove this material and replace it with gravel borrow at no additional compensation.

Structure Lowering and Raising

All work shall be done in accordance with the applicable provisions of Section 220 and Section 301.

All drainage, utility, and municipality structures are to be referenced and lowered to a minimum depth 6 inches below the bottom of the proposed reclaimed base course. Lowered structures shall be covered with steel plates conforming to the requirements specified in Subsection 7.09. The voids remaining after the structures have been lowered are to be filled with a suitable material as determined by the Engineer. The Contractor will be responsible for the coordination with the respective utility companies for the lowering and raising of privately owned structures and gate boxes. The reclaiming operation shall not begin until all structures and boxes are lowered.

It shall be the Contractor's responsibility to maintain drainage functioning properly in the areas under construction up to the time when the final system is put into use. All structures lowered will be raised to the binder grade elevation upon placement of the binder course material for that section. Adjustment of the castings to final grade will not be allowed until the Engineer approves the placement of bituminous concrete top course material throughout the project.

Adjustment of Structures & Gates:

The work shall consist of rebuilding, removing, replacing, and adjusting the masonry and castings of present structures (manholes, catch basins, gate boxes, etc) as required, conforming to newly proposed line and grade changes, all in accordance with these specifications and in close conformity with the lines and grades shown on the plans or established by the Engineer. Payment shall be per structure, lowered, plated, & raised inclusive.

Adjustments Greater than 6” Vertical

The price bid shall include the cost to lower and plate all structure castings. The structure shall be lowered to a depth of eighteen (18) inches or as sufficient to eliminate interference from the reclaimer. The structures shall be dismantled in a non-destructive manner and covered with a steel plate.

Adjustments Less than 6” Vertical

When the line or grade or both the line and grade of the structure changes by six inches or less, the structure shall be adjusted to line and grade. The masonry shall be removed to such depth as directed by the Engineer and new masonry shall be constructed to conform to the proposed design.

The work under this contract shall comply in all respects to Section 220, "Adjustment, Rebuilding, & Remodeling of Drainage Structures" and Section 301, "Water Systems" of the Massachusetts Highway Department (MHD) "Standard Specifications for Highways and Bridges" 1995 Edition.

Reclaiming Operations

Prior to the start of reclamation, the existing pavement shall be swept with a power sweeper to remove all trash, sand, dirt, organic matter, and other undesirable material, to the satisfaction of the Engineer.

Also, the existing pavement shall be sawcut full depth within the areas where the adjacent surface is to be protected (curb, side streets, etc.) as shown on the plans and/or as directed by the Engineer.

The Contractor shall reclaim only that area of pavement that can be processed and compacted by the end of the same working day, at which time it must be opened to traffic, with the Engineer's approval. In any section, reclamation work shall be done on one-half the road width at a time. One-way traffic will be allowed only during working hours with traffic police present. Two-way traffic shall be maintained at all other times. Suitable ramping shall be in place at the beginning and end of work zone to allow for smooth and safe travel. This shall be considered incidental to the work for this item. The required density shall be maintained until the bituminous concrete pavement has been placed. Any imperfections discovered prior to its placement shall be repaired, as directed by the Engineer, at no additional compensation.

The total thickness of the pavement structure, unless otherwise indicated, and uppermost portion of the sub base layer shall be recycled to the design depth specified on the typical section(s). The Contractor shall perform a sieve analysis of the reclaimed material for every 5,000 square yards of material processed or as often as conditions may require as determined by the Engineer. Test results shall be made available to the Engineer for review and approval. If conditions warrant, the Engineer may stop work until the required test results become available. If the Engineer directs, due to gradation deficiencies in the existing materials as indicated by the test pits, the appropriate crushed stone aggregate size(s) shall be blended with the recycled material to produce a uniform mixture meeting the gradation requirements. Additionally, if the Engineer directs, dense graded crushed stone shall be added for volume purposes.

Any required modifications to the remaining sub-base such as, but not limited to, cuts, fills, and grade realignment shall be made. Existing unsuitable material shall be removed to the lines and grades established by the Engineer and replaced with a suitable material, as determined by the Engineer. Existing surplus reclaimed material shall be used, when available, at no additional compensation.

All unsuitable material and/or excess reclaimed material shall become the property of the Contractor to be properly disposed of outside the project limits.

Compaction and Dust Control

The reclaimed material shall be rolled, compacted and fine graded to the specified cross section(s) and/or grades as shown or as established by the Engineer.

The reclaimed base course shall be tested for compaction and smoothness and accuracy of grade in accordance with the applicable provisions of Subsection 401.60. The required density shall be measured by a Nuclear Density Gauge. If any portions are found to be unacceptable by the Engineer, such portions shall be reprocessed, re-graded, and re-compacted until the required smoothness and accuracy are obtained.

At the end of each day's progress, the Contractor shall apply Calcium Chloride in accordance with the applicable provisions of Section 440. Water for roadway dust control shall be applied as directed by the Engineer.

A grader, roller and water wagon shall be maintained on the project site during the reclamation process. The Contractor shall submit to the Engineer, in writing, a twenty-four (24) hour availability telephone number for any emergency maintenance dictated by the weather conditions or as determined by the Engineer, for repair, compaction, and dust control.

SUBSECTION 403.80 METHOD OF MEASUREMENT

Reclaimed base course shall be measured for payment by the square yard of pre-reclamation pavement area hence reclaimed, complete in-place within the lines shown on the plans, or as directed by Engineer. No deductions will be made for surface structures.

Structures raised from the plated depth to the bituminous concrete binder course elevation or to the bituminous concrete top course elevation (in one operation) shall be measured as a remodeled unit each, complete and approved.

Structures adjusted from the bituminous concrete binder course elevation to the bituminous concrete top course elevation shall be measured as an adjusted unit each, complete and approved.

Structures rebuilt shall be measured by the average height in vertical feet and hundredths of a foot from the bottom of the deterioration to the plated depth. Structures damaged below the plated depth, due to the Contractors negligence, shall be measured and deducted from the vertical foot measurement. Raising the structure from the plated depth will be measured as stated above for a remodeled unit.

SUBSECTION 403.81 BASIS OF PAYMENT

The accepted quantity of reclamation as measured above shall be paid for at the contract unit price bid per square yard. This unit price shall include all compensation for crushing, pulverizing, blending, spreading, grading, sawcutting the existing bituminous concrete at the direction of the Engineer, compacting, test section construction, blending with aggregate, moving the processed material to allow for modifications to the remaining sub-base and/or subgrade, moving reclaimed material from one location to another within the project and any incurred costs resulting from the Contractor's decision to process off site.

The unit price bid shall also include compensation for all costs associated with the removal of the castings and the referencing, lowering, and plating of the structures. It shall also include full compensation for all labor, tools, equipment, materials, and all incidental work necessary to complete the work as specified.

The accepted quantity of reclamation as measured above shall be paid for at the contract unit price bid per square yard. This unit price shall include all compensation for crushing, pulverizing, blending, spreading, grading, sawcutting the existing bituminous concrete at the direction of the Engineer, compacting, test section construction, blending with aggregate, moving the processed material to allow for modifications to the remaining sub-base and/or subgrade, moving reclaimed material from one location to another within the project and any incurred costs resulting from the Contractor's decision to process off site.

The unit price bid shall also include compensation for all costs associated with the removal of the castings and the referencing, lowering, and plating of the structures. It shall also include full compensation for all labor, tools, equipment, materials, and all incidental work necessary to complete the work as specified.

Removal and disposal of unsuitable material, surplus reclaimed material, or any sub-base/subgrade material necessary for grade changes shall be paid for at the contract price per cubic yard for Item 120.1 Unclassified Excavation.

Grading and compacting the manufactured stabilized base course and the sub-base and/or subgrade resulting from the removal of unsuitable material shall be paid for at the contract unit price per square yard for Item 170, Fine Grading and Compacting - Subgrade Areas.

Adjustment of drainage structures shall be paid for at the contract unit price each for Items 220.1.1, Drainage Structures Adjusted greater than 6" vertical and 220.1.2, Drainage Structures Adjusted less than 6" vertical.

Rebuilding of drainage structures shall be paid for at the contract unit price per vertical foot for Item 220.2, Drainage Structure Rebuilt.

Raising of lowered drainage structures shall be paid for at the contract unit price each for Item 220.5, Drainage Structure Remodeled.

Adjustment of sanitary structures shall be paid for at the contract unit price each for Items 220.7.1, Sanitary Structures Adjusted greater than 6” vertical and 220.7.2, Sanitary Structures Adjusted less than 6” vertical.

Raising of lowered sanitary structures shall be paid for at the contract unit price each for Item 220.8, Sanitary Structure Remodeled.

Aggregate for providing added volume shall be paid for at the contract unit price per cubic yard for Item 402, Dense Graded Crushed Stone for Sub-base.

Aggregate to correct gradation deficiencies shall be paid for at the contract unit price per ton for Item 403.1, Crushed Stone for Blending.

Calcium Chloride for dust control shall be paid for at the contract unit price per pound for Item 440, Calcium Chloride for Roadway Dust Control.

Water for dust control shall be paid for at the contract unit price per 1000 gallons for Item 443, Water for Roadway Dust Control.

SUBSECTION 403.82 PAYMENT ITEMS

ITEM 403.	Reclaimed Base Course and/or Sub-Base	Square Yard
ITEM 403.1	Crushed Stone for Blending	Ton

Insert the following new section in numerical order:

SECTION 442 LIQUID CALCIUM CHORIDE FOR BLENDING

SUBSECTION 442.20 GENERAL

Liquid Calcium Chloride shall be used for blending into reclaimed base material as directed by the Engineer.

SUBSECTION 442.40 MATERIALS

The calcium chloride solution shall be provided by the manufacturer as a true solution and shall not be reconstituted from flake calcium chloride. The calcium chloride shall meet the following material specifications (see ASTM Designation D98; AASHTO-M144).

Calcium Chloride	35% ± 1%
Alkali Chloride as NaCl	2% max.
Magnesium as MgCl	0.1%
Typical (in lbs. per gallon)	
Calcium Chloride	5.05
Sodium Chloride	0.2
Magnesium Chloride	0.004
Calcium Sulfate	0.004
Water	<u>6.002</u>

SUBSECTION 442.60 CONSTRUCTION METHODS

The distributor for calcium shall be capable of applying liquid calcium chloride in accurately measured quantities at any rate between 0.1 to 2.0 gallons per square yard of roadway surface, at any length of spray bars up to 20 feet. The distributor shall be capable of maintaining a uniform rate of distribution of material regardless of change in grade, width or direction of the road. The distributor shall be equipped with a Digital Volumetric Accumulator capable of measuring gallons applied and distance traveled. The volume and measuring device shall be equipped with a power unit for the pump so that application is by pressure, not gravity. The spray nozzles and pressure system shall provide a sufficient and uniform fan-shaped spray of material throughout the entire length of the spray bar at all times while operating and shall be adjustable laterally and horizontally. The spray shall completely cover the roadway surface receiving the treatment.

After the first pulverization of the existing road pavement, one application of calcium chloride totaling 0.75 gallon per square yard shall be applied to the reclaimed material. The aggregate mass shall then be pulverized again to ensure proper asphalt, gravel and calcium chloride blending to the desired depth. Following base compaction, shaping, regrading and final compaction a final capping of 0.25 gallons per square yard of calcium chloride shall be applied.

SUBSECTION 442.80 METHOD OF MEASUREMENT

Liquid Calcium Chloride for Blending shall be measured by the gallon used.

SUBSECTION 442.81 BASIS OF PAYMENT

Payment for Liquid Calcium Chloride for Blending shall be paid for at the contract unit price per gallon used. Payment will be for the actual quantity applied that is not to exceed the quantity as calculated based on the aforementioned application rates and surface applications area as shown on the plans or as determined by the Engineer.

SUBSECTION 442.82 PAYMENT ITEMS

ITEM 442. Liquid Calcium Chloride for Blending Gallon

SECTION 460 HOT MIX ASPHALT PAVING**SUBSECTION 460.62 TACK COAT**

Add the following at the end of this subsection:

Tack coat and sand shall be applied to all joints composed of hot mix asphalt immediately after paving or as directed by the Engineer.

SUBSECTION 460.63 SPREADING AND FINISHING

Add the following at the end of this subsection:

It should be noted that roads could require several lifts of leveling material in order to eliminate water problems in low spots prior to placing the top course of hot mix asphalt.

SUBSECTION 460.65 JOINTS

Insert the following after the 5th paragraph of this subsection

Paper joints shall be used when the road is not completed in its entirety. The joint shall be underlain with tarpaper and hot mix asphalt shall be placed on top next to the existing pavement. No joints shall be left at intersections of roadways. Special care should be taken to leave any joints no less than twenty feet away from all radius points at intersections or as directed by the Engineer.

SUBSECTION 460.80 METHOD OF MEASUREMENT

Add the following at the end of this subsection:

Tack coat and sand, when applied to joints in accordance with subsection 460.62, shall be considered incidental to Item 460, Hot Mix Asphalt, with no additional measurement or payment to be made.

SECTION 472 HOT MIX ASPHALT FOR MISCELLANEOUS WORK

SUBSECTION 472.60 CONSTRUCTION METHODS

Add the following at the end of this subsection:

Patching

Patching is used to remove isolated failed areas of pavement & sub-base. Patching shall consist of neatly & squarely cutting existing pavement, removal & disposal of existing base to a depth of at least 12", installation of compacted gravel with a minimum of 6" lifts, paving with a 2-1/2" binder course & 1-1/2" top course, and sand sealing joints.

A paving machine shall be used in all applications if feasible and shall be mandatory for areas greater than six (6') wide.

Bituminous Concrete for Patching: All materials for bituminous concrete for patching as listed in Section 472 of the Standard Specifications shall conform to the requirements of Division III thereof, as applicable.

The mixture for pavement patching material shall conform to the requirements for "Patching Mix" in Table A of the job Mix Formula specified in Subsection M3.11.03 of Division III of the Standard Specifications.

Gravel Borrow: Gravel borrow for construction of gravel base shall conform to the requirements of Subsection M1.03.0 Type B of the Standard Specifications.

Grind and Inlay

The work to be done consists of excavating Bituminous Pavement by cold planer in designated areas to improve paved trenches and areas of disintegrating top coat, then replacing said areas with 1 1/2 inch of new bituminous.

The cold planer shall be capable of planning both the bituminous pavements and cement concrete patches if the latter should be encountered in bituminous pavements. The cold planer shall be equipped with all necessary safety devices such as flashing lights and backup signal so as to operate in traffic with complete safety.

Contractor shall furnish auxiliary milling equipment for clean-up work along curbs and around casting. Work area will be left clean and free from debris at the end of each day. Prices quoted shall include milling, loading, trucking, sweeping, and final clean-up.

The use of planning equipment mounted on pneumatic tires will be permitted only for clean-up work.

Milled material will become the property of the contractor and will be disposed of offsite. Depth of Planning cut will average 1-1/2 to 2 inches. Contractor will be responsible for damage to existing castings resulting from his operation unless such castings (water gates e.g.) have previously been paved over and are therefore not visible on surface.

A paving machine shall be used in areas greater than six (6') wide.

Bituminous Concrete for Inlay: All bituminous concrete materials used for Grind and Inlay shall be the same as for patching, as listed in Section 472 of the Standard Specifications and shall conform to the requirements of Division III thereof, as applicable.

The mixture for pavement patching material used for Grind and Inlay, shall conform to the requirements for "Patching Mix" in Table A of the job Mix Formula specified in Subsection M3.11.03 of Division III of the Standard Specifications.

SUBSECTION 472.80 METHOD OF MEASUREMENT

Add the following at the end of this subsection:

All punch list items such as driveway aprons, berm pads, and/or miscellaneous items etc, must be completed two weeks after wearing course has been placed.

Sawcutting, jacking or milling of existing pavement to the excavation limits for patching shall be considered incidental to the cost of Item 472, Hot Mix Asphalt for Miscellaneous Work with no additional measurement or payment.

SUBSECTION 472.82 PAYMENT ITEMS

Add the following at the end of this subsection:

Item 472.1	Patching	Square Yard
Item 472.4	Grind and Inlay	Square Yard

Insert the following new section in numerical order:

SECTION 482 CRACK SEALING OF BITUMINOUS CONCRETE SURFACES

SUBSECTION 482.20 DESCRIPTION - GENERAL

The work covered by this section consists of furnishing all plant, labor, equipment and materials necessary to perform all operations in connection with the cleaning and sealing of construction and random cracks in bituminous concrete pavements, including vegetation removal and sterilization of cracks where necessary.

SUBSECTION 482.40 MATERIALS - GENERAL

Crack Sealer shall be an asphalt-fiber compound designed specifically for improving strength and performance of the parent asphalt sealant.

- (a) Asphalt Sealant shall be AC-10 or AC-20 with a penetration of 75-100.
- (b) Fiber reinforcing materials shall be short-length polyester fibers having the following properties:

Length	7 mm	0.28 inch
Diameter	0.02032 mm +/- 0.0025 mm	0.0008inch +/- 0.0001 inch
Specific Gravity	1.32 to 1.40	
Melt temperature	250 degrees C. minimum	480 degrees F. minimum
Ignition temperature	538 degrees C. minimum	1000 Degrees F. minimum

Tensile strength 517,107 kPa +/- 35,000 kPa 75,000 PSI +/- 5,000 PSI
 Break elongation 33% +/- 9% - they are fully drawn

- (c) Black Beauty Boiler Slag (type used for sandblasting) shall be used for cover. Application shall be sufficient to prevent pickup of the completed application by traffic.

Asphalt fiber compound shall be mixed at a rate of 5-8% fiber weight of asphalt cement. This compound having the same chemical base provides compatibility and exhibits excellent bond strengths. The fiber functions to redistribute high stress and strain concentrations that are imposed on the sealant by thermal sources, traffic loading, etc.

CERTIFICATE OF MATERIAL COMPLIANCE

Manufacturer's certificate of material compliance shall be furnished to the Town certifying conformance to the above material specifications.

SUBSECTION 482.60 CONSTRUCTION METHODS - GENERAL

EQUIPMENT

Equipment used in the performance of the work required shall be subject to the approval of the Engineer and maintained in a satisfactory working condition at all times. The equipment shall include the following:

- (a) Air Compressor: shall be portable and capable of furnishing not less than 100 cubic feet of air per minute at not less than 90 lbs. per square inch pressure at the nozzle. The compressor shall be equipped with traps that will maintain the compressed air free of oil and water. If the velocity of this

unit is not sufficient to thoroughly clean the crack/joint, as determined by the Engineer, a Hot-Air-Lance must be used.

(b) Hot-Air-Lance: shall operate at 2000 degrees F. at 2000 feet per second velocity.

(c) Manually operated, gas powered air broom or self-propelled sweeper: designed especially for use in cleaning highway and airfield pavements shall be used to remove debris, dirt, and dust from the cracks.

(d) Hand tools: shall consist of broom, shovels, metal bars with chisel shaped ends, and any other tools which may be satisfactorily used to accomplish the work.

(e) Melting Kettle: The unit used to melt the joint sealing compound shall be double boiler, indirect fired type. The space between the inner and outer shells shall be filled with a suitable heat transfer oil or substitute having a flash point of not less than 600 degrees F. The kettle shall be equipped with a satisfactory means of agitating the joint mechanically operated paddles and/or by a continuous circulating gear pump attached to the heating unit. The kettle must be equipped with thermo-static control calibrated between 200 degrees F. and 550 degrees F.

(f) Application Shoe: shall be used according to sealers manufacturer's specifications. The Contractor shall have a range of shoe widths that will be used as directed by the Engineer. Compensation for the necessary changes of shoe width shall be included in the unit price bid per gallon.

(g) Power Roller: shall be used if deemed necessary by the Engineer, and shall be a minimum 7 ton rubber tired roller with sufficient water capacity to prevent adhesion of the joint sealing material to the roller.

PAVEMENT PREPARATION

(a) Debris removal: All old material and other debris removed from the cracks shall be removed from pavement surface immediately by means of power sweepers or hand brooms or air brooms.

(b) Vegetation: When cracks show evidence of vegetation, it shall be removed and sterilized by use of Propane Torch unit eliminating all vegetation, dirt, moisture, and seeds.

(c) General: No crack sealing materials shall be applied to wet cracks or where frost, snow or ice is present, nor when ambient temperature is below 40 degrees F.

PREPARATION OF SEALER

Joint sealing material shall be heated and applied at a temperature specified by the manufacturer and approved by the Engineer.

WORKMANSHIP

All workmanship shall be of the highest quality, and excess or spilled sealer shall be removed from the pavement by approved methods and discarded. Any workmanship determined to be below the high standards of the particular craft involved will not be accepted, and will be corrected and/or replaced by the Contractor as required by the Engineer. Any failure due to pickup by traffic within 7 days shall be redone without additional measurement or payment.

PERFORMANCE

The Contractor MUST be able to certify that it has the ability and experience to perform the subject work and that it has sufficient capital and equipment to enable it to prosecute the work successfully

and to complete it within the time named in the Contract. The Town reserves the right to reject any or all bids, or to award the contract, as deemed to be in the best interest of the Town.

SUBSECTION 482.80 METHOD OF MEASUREMENT

Measurement for this Contract shall be by the GALLON and shall be the actual number of GALLONS of sealer applied to the pavement. The Contractor and Engineer shall agree on specific methods for tracking quantities actually used on the project prior to the application of any product. No payment shall be made for excess product remaining in the kettle at the end of the day. The Contractor and Engineer shall agree upon the actual quantity used at the end of each shift, and shall document daily used quantity on duplicate forms, signed by both parties.

SUBSECTION 482.81 BASIS OF PAYMENT

Payment shall be at the Contract unit price bid per GALLON of sealant applied to the pavement. Payment shall include the cost of all materials, labor, tools and equipment, and incidental work necessary to complete the work of this project.

SUBSECTION 482.82 PAYMENT ITEMS

ITEM 482.15 Hot Applied Asphaltic Crack Filler (Polyester Fiber) Gallon

Insert the following new section in numerical order:

SECTION 483 SAWING PAVEMENT AND SIDEWALK JOINTS

SUBSECTION 483.20 GENERAL

The work under this item shall conform to the relevant provisions of Section 120 of the Standard Specifications and the following:

The work shall include the sawcutting of existing hot mix asphalt and cement concrete pavements and sidewalks where shown on the plans, and as directed by the Engineer.

All edges of excavations made in existing pavements and sidewalks shall be squared by sawcutting with power driven tools to provide a neat, clean edge for joining new pavement or sidewalks. Sawcut equipment shall be approved by the Engineer prior to commencing work.

The existing pavement shall be sawcut through its full depth, to provide a uniform, vertical surface for the proposed pavement joint with the existing pavement. In areas where an existing sidewalk abuts a building, wall or storefront and is to be reconstructed, the existing sidewalk shall be sawcut a minimum of 6” from the building wall or storefront unless otherwise directed by the Engineer.

Sawcut edges which become broken, ragged or undermined as a result of the Contractor’s operations shall be re-sawcut prior to the placement of abutting proposed pavement at no additional cost to the Owner.

Sawcut surfaces shall be treated as specified in accordance with Subsection 460.65 of the Standard Specifications or as directed by the Engineer.

SUBSECTION 483.81 BASIS OF PAYMENT

Sawcuts shall be made in the existing pavement in areas of drainage structure work, curb resetting and as directed by the Engineer. Payment for this work shall be included in the unit price under the applicable items that require sawcutting.

Sawing pavements and sidewalks will be paid for at the contract unit price per linear foot, which price shall include all labor, materials, equipment, and incidental costs required to complete the work.

SUBSECTION 483.82 PAYMENT ITEMS

Item 483.5	Sawing Pavement and Sidewalk Joints	Linear Foot
------------	-------------------------------------	-------------

SECTION 701 SIDEWALKS, CURB RAMPS, AND DRIVEWAYS

SUBSECTION 701.20 GENERAL

Add the following at the end of this subsection:

Contractors shall establish grade elevations at all wheelchair ramp locations, and shall set transition lengths according to the appropriate table in the Construction Standards. All wheelchair ramp joints and transition sections that define grade changes shall be formed, staked, and checked prior to placing cement concrete. All grade changes are to be made at joints.

The Contractor is responsible for constructing all relative work to strict adherence with the requirements of MassDOT, and the Massachusetts Architectural Access Board. Detectable Warning Panels shall be installed on all CURB RAMPS as shown in the Construction Standards. Panels shall be “Red” with a preferred width of 5 feet. Any alterations to this shall be approved by the Engineer.

SUBSECTION 701.60 GENERAL

Add the following at the end of this subsection:

Existing Sidewalks shall be Excavated and Disposed of to make room for new sidewalks as directed by the Engineer. Existing Sidewalks shall be Excavated to a depth to suitable material. The amount of Sidewalk excavation is to be determined in the field. The Contractor is responsible to dispose of the excess material.

SUBSECTION 701.63 BITUMINOUS CONCRETE DRIVEWAYS

Add the following at the end of this subsection:

Existing Sidewalks shall be Excavated and Disposed of to make room for new sidewalks as directed by the Engineer. Existing Sidewalks shall be excavated to a depth to suitable material. The amount of Sidewalk excavation is to be determined in the field. The Contractor is responsible to dispose of the excess material.

Handwork - Work will include constructing driveway aprons, driveway sections, sidewalk sections, and other areas as directed by the Engineer. No additional compensation will be made for cutting existing pavement in order to provide a clean match line.

SUBSECTION 701.64 BRICK WALKWAYS

Add the following new subsection:

Remove and reset brick walkways per Town of Arlington Specifications and Details (included in Appendix A and ATTACHMENT# 2 - Arlington Brick Walkway Specifications and Details)

SUBSECTION 701.82 PAYMENT ITEMS

- Item 702.1 Excavation and Disposal of Existing Sidewalks Square Yard
- Item 706.1 Remove and Reset Brick Walkway per Arlington Specifications and Details
- Item 706.1.2 Install New Brick Walkway per Arlington Specifications and Details

SUBSECTION 701.80 METHOD OF MEASUREMENT

Add the following at the end of this subsection:

Handwork will be measured by the ton.

SUBSECTION 701.81 BASIS OF PAYMENT

Add the following at the end of this subsection:

Payment for Detectable Warning Panels shall be considered incidental to the construction of the CURB RAMPS or sidewalks in which they are being installed.

Payment for handwork will be paid for at the contract price per ton under Item 703, Bituminous Concrete Driveway [Handwork].

SECTION 850 TRAFFIC CONTROLS FOR CONSTRUCTION AND MAINTENANCE OPERATIONS

SUBSECTION 850.21 SAFETY CONTROLS FOR CONSTRUCTION OPERATIONS

Add the following at the end of this subsection:

Payment for safety controls for construction operations shall be considered incidental to the contract and the costs included in the unit bid price for those items requiring such controls. Item 851 is not included in this contract.

SUBSECTION 850.22 SAFETY SIGNING FOR CONSTRUCTION OPERATIONS

Add the following at the end of this subsection:

Safety Signage for Construction Operations shall be considered incidental to the work and may also include, but is not limited to, the following signs, mounted temporarily on their own posts or stands, as directed by the Engineer, as required for detour work:

<i>DESIGNATION</i>	<i>SIZE</i>	<i>SIGN WORDING</i>
M4-9L	30" x 24"	← DETOUR

M4-9R	30" x 24"	DETOUR→
M4-9U	30" x 24"	DETOUR ↑
M4-8A	24" x 18"	END DETOUR
R11-2	48" x 30"	ROAD CLOSED
R11-4	48" x 30"	ROAD CLOSED TO THRU TRAFFIC
N/A	48" x 36"	ROAD CONSTRUCTION BEGINS "Insert timeframe here" SEEK ALTERNATE ROUTES
W20-1	48" x 48"	ROAD WORK AHEAD
W8-8	30" x 30"	ROUGH ROAD
W8-3	30" x 30"	PAVEMENT ENDS
W8-1	30" x 30"	BUMP
G20-2A	36" x 18"	END ROAD WORK

The Contractor shall furnish, erect, remove, cover, relocate, and replace if necessary, all signs as directed by the Engineer. All signs shall be removed when no longer required.

Add this new subsection:

SUBSECTION 850.38 TRAFFIC POLICE DETAILS AND FIRE DETAILS

This work consists of scheduling Traffic Police Details when construction operations involve work which is of a nature where the use of a Traffic Police Detail would be required to increase safety of the general public and construction personnel.

This work also consists of scheduling Fire Details when construction operations involve blasting work. A Fire Detail will be required at all times explosives are present on site.

Scheduling of Details is the responsibility of the Contractor.

The Contractor is responsible for canceling Details directly in the event of schedule changes where work no longer requires the use of Details, or cancellations of work for any reason, including weather. A minimum of one hour prior to scheduled time must be required to cancel Detail.

Contractors that cancel scheduled work to which police, flag people or public works personnel are assigned on an additional pay basis are subject to contract back charges.

Police and fire details as required will be paid for directly by the Town of Arlington.

SECTION 868 REFLECTORIZEDWHITE/YELLOWLINE – EPOXY

See Appendix A

Insert the following new section in numerical order:

SECTION 874 SIGN REMOVED AND RESET

SUBSECTION 874.20 GENERAL

The work to be done under this item shall conform to the relevant provisions of Section 828 of the Standard Specifications and the following:

The Contractor shall carefully remove and reset at new locations all existing signs, attached hardware and sign support posts not included under other sign items as directed by the Engineer.

Signs, attachment hardware and sign support posts shall be satisfactorily stored and protected until reset in the proposed work.

Signs, attachment hardware and sign support posts lost, damaged or otherwise made unsuitable for reuse while being removed, transported, stored or reset shall be replaced with new materials at no additional cost to the Owner. New attachment hardware shall be furnished and installed as necessary to replace any missing or unusable existing hardware.

Existing sign posts not suitable for resetting shall be replaced at no additional cost to the Owner.

SUBSECTION 874.80 METHOD OF MEASUREMENT

Signs removed and reset will be measured for payment as units, complete in place.

SUBSECTION 874.81 BASIS OF PAYMENT

Signs removed and reset will be paid for at the respective contract unit price per each, which price shall include all labor, materials, equipment, and incidental costs required to complete the work.

SUBSECTION 874.82 PAYMENT ITEMS

Item 874.1 Sign Removed and Reset Each

END OF SPECIAL PROVISIONS

APPENDIX A

SECTION 120 EXCAVATION

SUB-SECTION 120.82 PAYMENT ITEMS

- ITEM 129.01 Asphalt Excavation by Cold Planer (9AM – 3PM)
Attention is called to this Item. Due to particular streets within the Town having heavy commuter traffic, the Arlington Police Department has restricted work hours to between 9 AM and 3PM. No work, including mark out, sweeping, trimming, etc is permitted before 9AM and after 3PM. This is necessary to ensure the safety of the motoring public, as well as the Contractors employees.
- ITEM 129.02 Asphalt Excavation by Cold Planer (4” Depth)
Attention is called to this Item. Due to the condition of the asphalt surface and base course on particular streets, it is necessary to remove all the existing asphalt material down to the gravel base. This ensures a consistent surface on which the new binder course can be installed. Due to this additional depth of excavation, the Contractor will be responsible for “ramping” driveways, intersecting streets, and beginning and end of project with suitable material.

SECTION 701 SIDEWALKS, CURB RAMPS, AND DRIVEWAYS

SUB-SECTION 701.82 PAYMENT ITEMS

- ITEM 701.01 Color Additive for Cement Concrete – Gray
Attention is called to this Item. There may locations within Town where it is desirable to darken new concrete sidewalks by the addition of Dry Powder Iron Oxide Pigment or Liquid Iron Oxide Pigment at the plant or onsite. Please see ATTACHMENT #1 for additional specifications. This Item will be an ADDITION to the Concrete Sidewalk, Driveway, and Wheelchair Ramp Items.
- ITEM 701.02 Concrete Curing Compound
Attention is called to this Item. Finishing of concrete surfaces for sidewalks, curb ramps and driveways shall include application of MassDOT Approved water-emulsified, resin-based concrete curing compound. Please see ATTACHMENT #4 for additional specifications. This Item will be an ADDITION to the Concrete Sidewalk, Driveway, and Curb Ramp Items.
- ITEM 706.1 Remove and Reset Brick Walkway per Arlington Specifications
Attention is called to this Item. There may be locations in Town where it is desirable to carefully remove existing brick walkways, and reset existing brick on new 4” concrete base. Please see ATTACHMENT #2A & 2B for additional specifications and details. This Item shall INCLUDE the new 4” concrete base.
- ITEM 706.1.2 Install New Brick Walkway per Arlington Specifications
Attention is called to this Item. There may be locations in Town where it is desirable to install new brick sidewalks on new 4” concrete base. Please see ATTACHMENT # 2A & # 2B for additional specifications and details. This Item shall INCLUDE the new 4” concrete base and

brick. New brick shall be wire cut and ADA compliant. Contractor shall submit samples for acceptance. "Boston Pavers" or approved equal

SECTION 868 REFLECTORIZED WHITE / YELLOW LINE – EPOXY

- ITEM 868.04 ReflectORIZED White Line – 4" EPOXY
Attention is called to this Item. Please see ATTACHMENT #3 for additional specifications
- ITEM 868.12 ReflectORIZED White Line – 12" EPOXY
Attention is called to this Item. Please see ATTACHMENT #3 for additional specifications
- ITEM 869.04 ReflectORIZED Yellow line – 4" EPOXY
Attention is called to this Item. Please see ATTACHMENT #3 for additional specifications.

ATTACHMENT # 1

Color Additive for Cement Concrete – Gray

Submittals

Product Data:

Provide data on colored concrete product, expansion joint materials and cleaning solution, demonstrating compliance with Manufacturer's Specifications and recommendations.

Provide manufacturer's standard color chart for selection of colored concrete and expansion joint sealer color.

Submit manufacturer's certification that materials comply with specified requirements and are suitable for the intended application.

Submit manufacturer's standard warranty.

Submit representative samples to Owner's Representative for selection approval. Do not order samples until approval is obtained

Quality Assurance

Perform work in accordance with ACI 301 and ACI 316. Conform to ACI 305 during hot weather. Conform to ACI during cold weather.

Obtain each material from same source and maintain high degree of consistency in workmanship throughout project.

Manufacturer's Qualifications: Sufficient plant facilities to provide quality and quantity of materials as required without delaying progress of work. Minimum of 10 years' experience in producing iron oxide pigments to be added to concrete.

Installer Qualifications: Concrete work shall be performed by firm with a minimum of 5 years' experience with work of similar scope and quality.

Colored Concrete Mock-up: Provide a minimum 5 x 5 area of colored concrete sidewalk.

Demonstrate methods of obtaining consistent visual appearance. Including materials, workmanship, and curing method.

Obtain Owner's Representative acceptance of visual qualities of sample before proceeding with the final work.

Retain samples of cements, sands, aggregates and color additives used in Mock-up for consistency throughout project.

Delivery, Storage, and Handling

Deliver materials in manufacturer's original unopened containers, with labels clearly identifying product name, manufacturer, color name and number, weight, and mixing instructions.

Store materials in clean, dry area in accordance with manufacturer's instructions. Keep containers sealed until ready for use.

Handle materials in accordance with manufacturer's instructions. Protect materials during handling and mixing to prevent damage or contamination.

Project Conditions

Colored Concrete Environmental Requirements:

1. Schedule placement to minimize exposure to wind and hot sun before curing materials are applied.
2. Avoid placing concrete if rain, snow, or frost is forecast within 24 hours. Protect fresh concrete from moisture and freezing.
3. Schedule delivery of concrete to provide consistent mix times from batching until discharge.

Products

Color Admixture

Dry powder iron oxide pigments or liquid iron oxide pigments to be added to concrete at the concrete plant or onsite. Computerized additions of liquid pigments at the plant is preferred for consistent color between batches.

Acceptable Manufacturers:

1. Davis Colors, 3700 East Olympic Blvd., Los Angeles, CA
2. L.M. Scofield Company, 4155 Scofield Rd., Douglasville, GA
3. Solomon Colors, PO Box 8288, Springfield, Illinois
4. or approved equal

Dry Powder Iron Oxide Pigments: Integral Colors for Ready Mixed Concrete.

1. Color: Light Gray, as approved by Owner's Representative
2. Compliance: ASTM C 979
3. Material: Natural and synthetic, milled, blended iron oxide in dry powder form.
4. Produce uniform and consistent color.
5. Permanent, inert, stable to atmospheric conditions, sunfast, weather resistance, alkali resistant, water insoluble, lime proof, and nonbleeding.
6. Free of deleterious fillers and extenders.
7. Free of admixtures.
8. Particle size: 95 to 99 percent minus 325 mesh

Liquid Iron Oxide Pigments:

1. Color: Light Gray, as approved by Owner's Representative
2. Compliance: ASTM C 979
3. Material: Predispersed iron oxide pigments containing high pigment solids in aqueous base liquid.
4. Produce uniform and consistent color.
5. Permanent, inert, stable to atmospheric conditions, sunfast, weather resistant, alkali resistant, water insoluble, lime proof, and nonbleeding.
6. Free of deleterious fillers and extenders.
7. Particle size: 95 to 99 percent minus 325 mesh
8. Specific Gravity: 1.9 to 2.0

Packaging: If color additives are to be added to mix at site, furnish color additives in premeasured ready mix disintegrating bags to minimize job site waste

Ready Mixed Concrete: ASTM C 94

Portland Cement: ASTM C 150. Use same source, brand, type, and color throughout project

A 4" slump in concrete mix is recommended. If greater workability is required, redesign mix to use water-reducing or super plasticizing admixture instead of adding water. Variations in water-cement ratio affect final appearance of concrete. A low water-cement ratio promotes richer, darker concrete colors.

Course and Fine Aggregates: ASTM C 33. Use same source and color throughout project. Select gray tones of aggregate similar to final gray product color, or as approved by Owner's Representative.

Admixtures: Designed for use with concrete pigments. Do not use calcium chloride or admixtures containing chlorides. Use same admixtures throughout project

Concrete Mix Design: As specified in Standard Specifications Section 476 and 700, except as specified in this section

1. Color Pigment Weight: Maximum 10 percent of cement weight
2. Water to Cement Ratio: Maximum 0.50
3. Use same concrete mix design throughout project

Curing Compound for Colored Concrete: Curing compound shall comply with ASTM C 309 and be approved by color additive manufacturer for use with colored concrete

Installation of Concrete

Follow all requirements for concrete work in Section 476 and 700 of the Standard Specifications

Do not apply color additives meant for integral coloring to surface of concrete

Apply broomed finish on all concrete

Apply curing compound for colored concrete in accordance with manufacturer's instructions.

Apply curing compound at consistent time for each pour to maintain close color consistency

Color Additives: Mix in accordance with manufacturer's instructions. Mix until color additives are uniformly dispersed throughout mixture and disintegrating bags, if used, have disintegrated. Do not retemper mix by adding water in the field.

Application - Dry Powder and Liquid Iron Oxide Pigments

Measuring, Batching, Mixing, and Delivering Concrete: As specified in Section 476 and 700 of the Standard Specifications, except as specified in this section

1. Measure, batch, mix, and deliver concrete with pigments in accordance with manufacturer's instructions
2. Ensure mixer is clean and free of washout water before loading
3. Load mixer to a minimum of 40 percent capacity
4. Do not load mixer beyond recommended capacity
5. Add concrete materials to mixer in same order for each batch
6. Do not add pigment to mixer as first concrete material
7. Maintain consistent amounts of batch water in each batch

Placing, Finishing, and Curing Concrete: As specified in Section 476 and 700 of the Standard Specifications, except as specified in this section:

1. Place, finish, and cure concrete with pigments in accordance with manufacturer's instructions
2. Allow excess surface water to evaporate before finishing
3. Do not over finish surface. Avoid burning surface
4. Do not fog with water or cover surface of colored concrete during initial curing process for a minimum of 48 hours

Add liquid pigments to concrete batch automatically by use of metering, volumetric, or weight measuring system or manually by weight or volume in accordance with manufacturer's instructions

Recycle liquid pigments while in their container before use to ensure conformity and proper viscosity

Add liquid pigments to concrete batch after prewetted aggregate and before cement addition

Cleaning

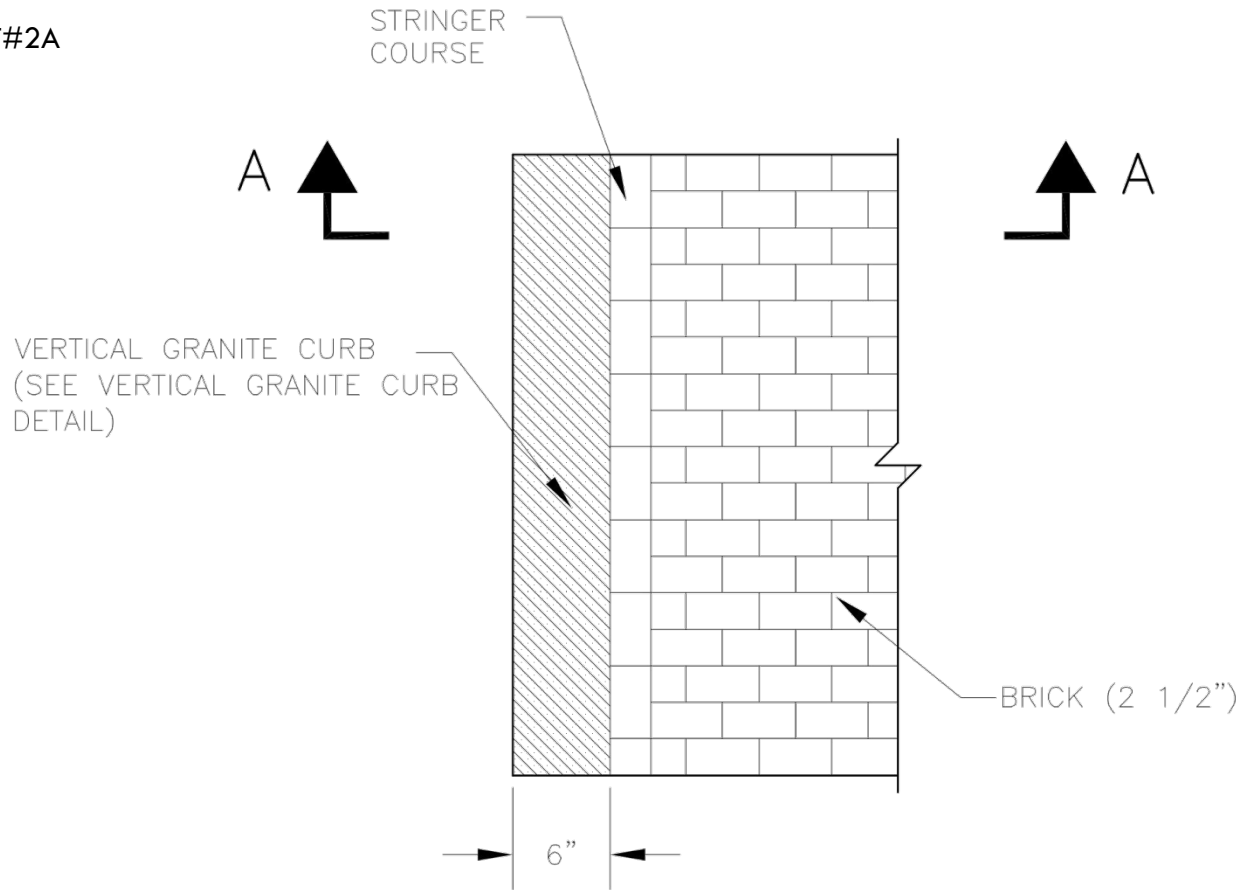
Clean concrete of efflorescence in accordance with manufacturer's instructions

Ensure concrete has sufficiently cured before cleaning

Use concrete cleaner approved by pigment manufacturer and Project Engineer. Do not use cleaners containing acid.

Apply cleaner in accordance with manufacturer's instructions

ATTACHMENT#2A



NOTE:
AROUND HYDRANTS, UTILITY POLES SIGN POSTS ETC., SEE
EXPANSION JOINT DETAIL

PLAN



JAN.2015

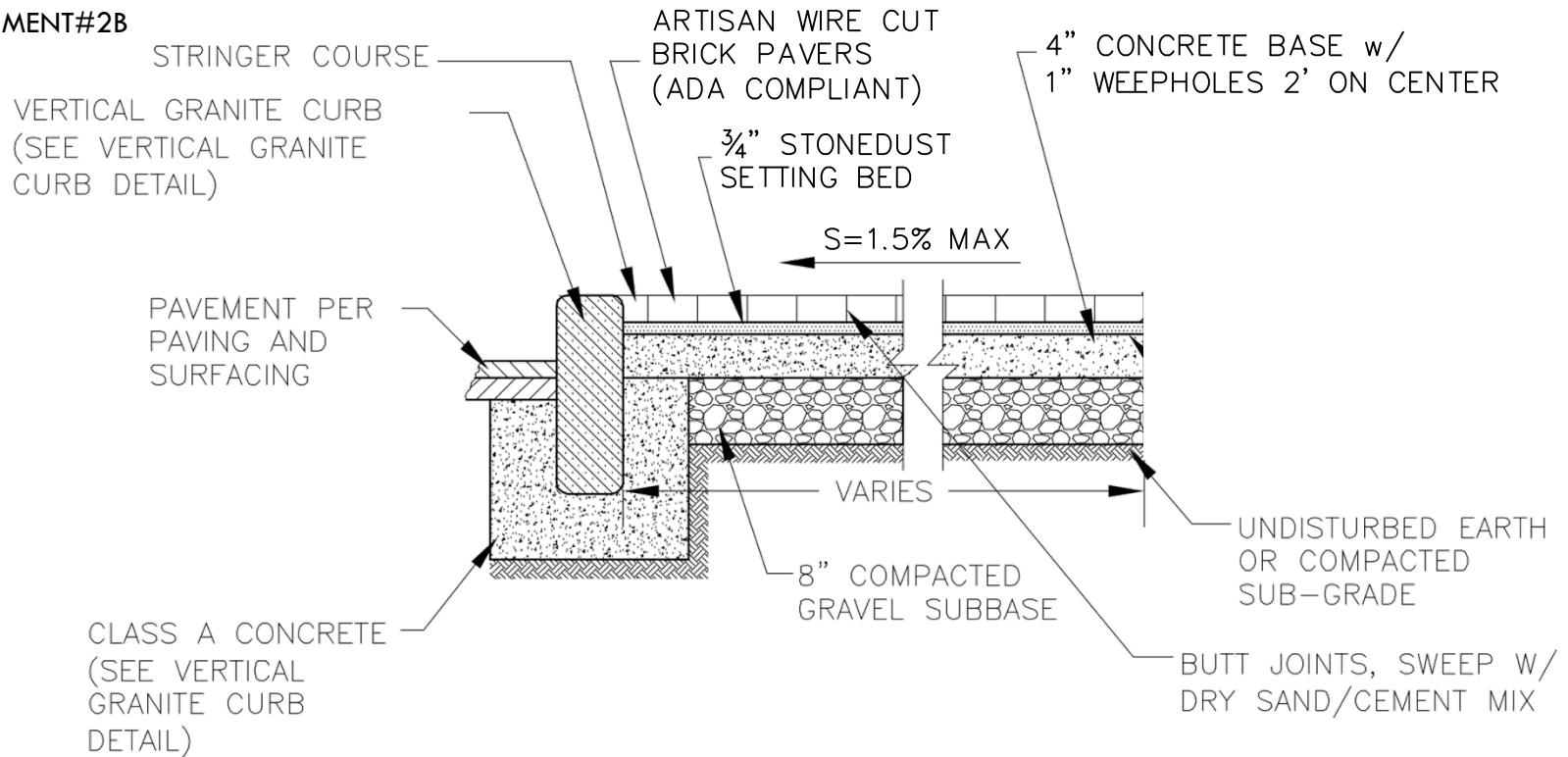
NOTTOSCAL

REVISI



R-

ATTACHMENT#2B



SECTION A-A

NOTES:

1. INSTALLATION OF BRICK TO BE COMPLETED IN ACCORDANCE WITH MANUFACTURER'S SPECIFICATIONS.
2. A SUBGRADE CONSISTING OF GRADED AGGREGATES MAY BE REQUIRED WHEN SUBGRADE CONDITIONS ARE POOR.
3. EXPANSION JOINTS SHOULD BE USED TO ACCOMMODATE ALLOWANCES FOR MOVEMENT IN MATERIALS. EXPANSION JOINT FILLER MATERIALS MUST BE HIGHLY COMPRESSIVE & DURABLE.
4. STONEDUST TO BE SWEEP INTO VOIDS, CRACKS, AND OPENINGS IF PRESENT IN COMPLETED SURFACE AND COMPACTED. THIS PROCESS SHALL BE REPEATED AS NECESSARY TO THE SATISFACTION OF THE ENGINEER.



ATTACHMENT 2B
BRICKSIDEWALK
(SECTION VTFW)

JAN.201

NOTTOSCA

REVISI

R-

ATTACHMENT#3

Reflectorized White Line – 4” EPOXY
Reflectorized White Line – 12” EPOXY
Reflectorized Yellow Line – 4” EPOXY

Scope

Work under these Items cover white and yellow epoxy reflectorized pavement striping material that is sprayed onto the pavement. Work under these Items shall conform to the relevant provisions of Section 860 of the Standard Specifications and the following:

Suggested Suppliers

Epoplex – Stonhard Inc, Maple Shade, NJ
Baltimore Paint and Chemical Co, Baltimore MD
Accent Stripe, Inc, Orchard Park, NY

Epoxy Material

The epoxy resin composition shall be specifically formulated for use as a pavement marking material and for hot spray application at elevated temperatures. The epoxy marking material shall be a two component, 100% solids type system formulated and designed to provide a simple volumetric mixing ratio. The epoxy marking material shall be supplied as either a regular dry or as a slow dry material. Regular dry may be used for all marking patterns. Slow dry material is intended for marking hatch lines, edge lines, and other marking patterns located out of the general path of traffic.

Reflective Glass Spheres

Reflective glass spheres for drop-on application shall conform to the following requirements. The glass spheres shall be colorless, clean, transparent, free from milkiness or excessive air bubbles, and essentially clean from surface scarring or scratching. They shall be spherical in shape and at least 80% of the glass beads shall be true spheres when tested in accordance with ASTM D1155, Procedure A

Striping Equipment

The equipment shall have a system capable of spraying the epoxy paint in the manufacturer’s recommended proportions and be mounted on a truck of sufficient size and stability, and within adequate power source to produce lines of uniform dimension and prevent application failure. It shall be capable of placing stripes on the left and the right sides and of placing two lines simultaneously. It shall also be capable of applying glass beads at a rate of 25 lbs per gallon. All guns must be in full view of the operator at all times. The equipment shall be provided with a metering device to register the accumulated installed footage for each gun each day. Each vehicle shall include at least one operator who shall be a technical expert in equipment operations and epoxy application techniques.

Equipment shall have such a design that the pressure gauges for each proportioning pump are constantly visible to the operator at all times during the operation so that any fluctuation and pressure difference can be addressed immediately.

Surface Preparation

The pavement surface on which the epoxy paint material is placed shall be clean and dry.

Application

Epoxy

The epoxy paint markings shall have a thickness of 25 mils +/- 1 mil, calculated without drop-on glass beads. All markings shall have uniform thickness with a uniform distribution of glass beads throughout the line width. The width of these lines shall be as specified with a tolerance of 0.25 inches. Markings shall have sharp edges and cutoff at the ends.

Glass Beads

The glass beads shall be applied by the double drop method, which requires that Type I and Type II reflective glass spheres be injected into or dropped onto the liquid epoxy marking. Each type shall be applied simultaneously, at a minimum rate of 10 to 13 pounds per gallon of resin with a minimum total application of 25 pounds per gallon. Type I beads shall be applied first, immediately followed by type II beads. The beads shall adhere to the cured epoxy or all marking operations shall cease until corrections are made.

Temperature Limitations

During marking operations, the pavement surface where the epoxy is to be placed shall have a minimum temperature of 40 degrees F and the ambient air temperature shall be at least 35 degrees F. The pavement surface temperature shall be determined at the start of each day of marking operation and at any time deemed necessary by the Engineer. The spraying temperatures shall be in accordance with the manufacturer's recommendations.

Application Rates

Application rates will be checked by the Engineer at convenient intervals by comparing tallies of materials used to lengths of lines placed.

Protecting Newly Installed Markings

Newly installed markings shall be protected from tracking during the setting period by the following method:

1. Cone off wet lines from traffic

Instructions for Bid Price Forms

Failure to properly fill out Bid Price Forms may result in Rejection of Bid

Bidders must fill out Bid Prices for all items listed

Bidders must fill out Bid prices and Totals in FIGURES, words will not be accepted

All figures must be clear and legible

For items with Est. Qty. listed as “*”, and Total listed as “*****No Value*****”, bidders shall fill in unit price only. These Items may or may not be used, but bidders will be held to prices bid should the item be deemed necessary.

Bidders shall add all individual totals, and enter value in “BID TOTAL” box in FIGURES, BID TOTAL must be clear and legible. Contract Award will be based on BID TOTAL

ATTACHMENT # 4

Concrete Curing Compound for Cement Concrete

Submittals

Product Data:

Provide data on concrete curing compound, and cleaning solution, demonstrating compliance with Manufacturer's Specifications and recommendations.

Submit manufacturer's certification that materials comply with specified requirements and are suitable for the intended application.

Submit manufacturer's standard warranty.

Submit representative samples to Owner's Representative for selection approval.

Quality Assurance

Perform work in accordance with ACI 301 and ACI 316. Conform to ACI 305 during hot weather. Conform to ACI during cold weather.

Obtain each material from same source and maintain high degree of consistency in workmanship throughout project.

Installer Qualifications: Concrete work shall be performed by firm with a minimum of 5 years experience with work of similar scope and quality.

Delivery, Storage, and Handling

Deliver materials in manufacturer's original unopened containers, with labels clearly identifying product name, manufacturer, color name and number, weight, and mixing instructions.

Store materials in clean, dry area in accordance with manufacturer's instructions. Keep containers sealed until ready for use.

Handle materials in accordance with manufacturer's instructions. Protect materials during handling and mixing to prevent damage or contamination.

Project Conditions

Concrete Curing Compound Requirements:

1. Schedule placement to minimize exposure to wind and hot sun before curing materials are applied.
2. Avoid placing concrete if rain, snow, or frost is forecast within 24 hours. Protect fresh concrete from moisture and freezing.
3. Schedule delivery of concrete to provide consistent mix times from batching until discharge.
4. Adhere to all manufacturer requirements during application.

Ready Mixed Concrete: ASTM C 94

Portland Cement: ASTM C 150. Use same source, brand, type, and color throughout project

A 4" slump in concrete mix is recommended. If greater workability is required, redesign mix to use water-reducing or super plasticizing admixture instead of adding water. Variations in water-cement ratio affect final appearance of concrete. A low water-cement ratio promotes richer, darker concrete colors.

Course and Fine Aggregates: ASTM C 33. Use same source and color throughout project. Select gray tones of aggregate similar to final gray product color, or as approved by Owner's Representative.

Admixtures: Designed for use with concrete pigments. Do not use calcium chloride or admixtures containing chlorides. Use same admixtures throughout project

Concrete Mix Design: As specified in Standard Specifications Section 476 and 700, except as specified in this section

1. Color Pigment Weight: Maximum 10 percent of cement weight
2. Water to Cement Ratio: Maximum 0.50
3. Use same concrete mix design throughout project

Curing Compound: Curing compound shall comply with ASTM C 309 and be approved by color additive manufacturer for use with colored concrete if required.

Installation of Concrete

Follow all requirements for concrete work in Section 476 and 700 of the Standard Specifications

Apply broomed finish on all concrete

Apply curing compound for colored concrete in accordance with manufacturer's instructions.